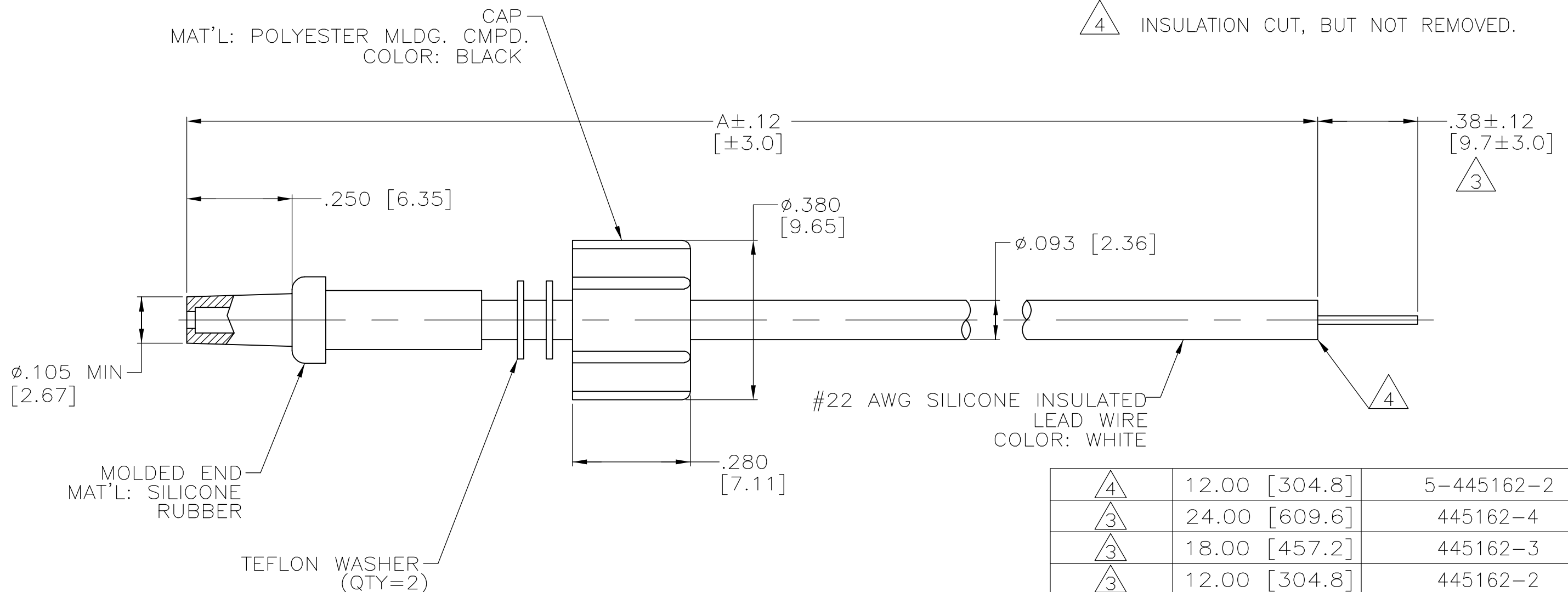


THIS DRAWING IS UNPUBLISHED. RELEASED FOR PUBLICATION - ,N/A .
 © COPYRIGHT N/A BY TYCO ELECTRONICS CORPORATION. ALL RIGHTS RESERVED.

LOC	DIST	REVISIONS			
P	LTR	DESCRIPTION	DATE	DWN	APVD
DF	SO	B	REV PER ECO-05-002595	07-05	AA DE

1. MARKED PER MIL-STD-130.
 2. TO MATE WITH AMP LGH-1/4 RECEPTACLE WITH A .250 [6.35] BARREL DEPTH.
- △3 PIGTAIL IS SOLDER DIPPED.
 △4 INSULATION CUT, BUT NOT REMOVED.



REMARKS	DIM A	PART NUMBER
△4	12.00 [304.8]	5-445162-2
△3	24.00 [609.6]	445162-4
△3	18.00 [457.2]	445162-3
△3	12.00 [304.8]	445162-2
△3	6.00 [152.4]	445162-1

THIS DRAWING IS A CONTROLLED DOCUMENT.		DWN C.C.THOMAS 16-JUN-97	Tyco Electronics Corporation Harrisburg, Pa 17105-3608	
DIMENSIONS: INCHES		CHK S.GLATFELTER 07-JUL-97		
		APVD S.GLATFELTER 07-JUL-97	NAME LEAD ASSY SGL END LGH-1/4	
TOLERANCES UNLESS OTHERWISE SPECIFIED:		PRODUCT SPEC	RESTRICTED TO	
0 PLC ± -		APPLICATION SPEC	SIZE A3	CAGE CODE 00779
1 PLC ± -		WEIGHT	DRAWING NO C-445162	REV B
2 PLC ± -			SCALE 4:1 SHEET 1 OF 1	
3 PLC ± .005 [0.13]				
4 PLC ± -				
ANGLES ± -				
FINISH				
MATERIAL				
		CUSTOMER DRAWING		

单击下面可查看定价，库存，交付和生命周期等信息

[>>TE Connectivity\(泰科\)](#)