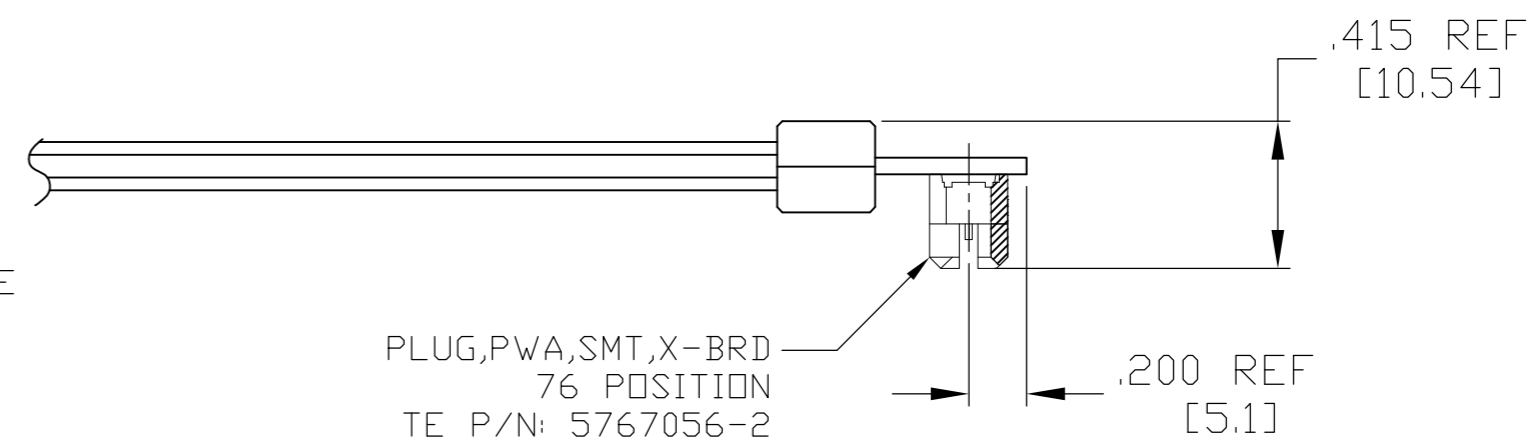
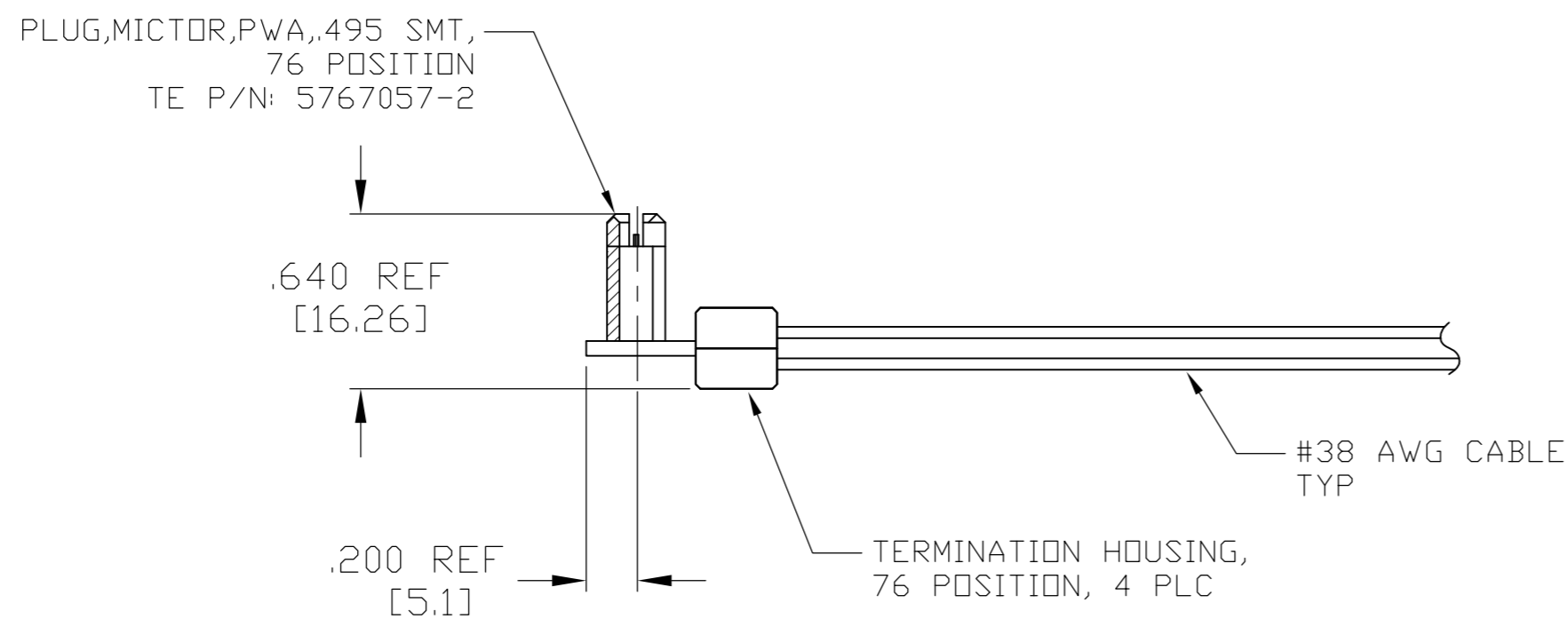
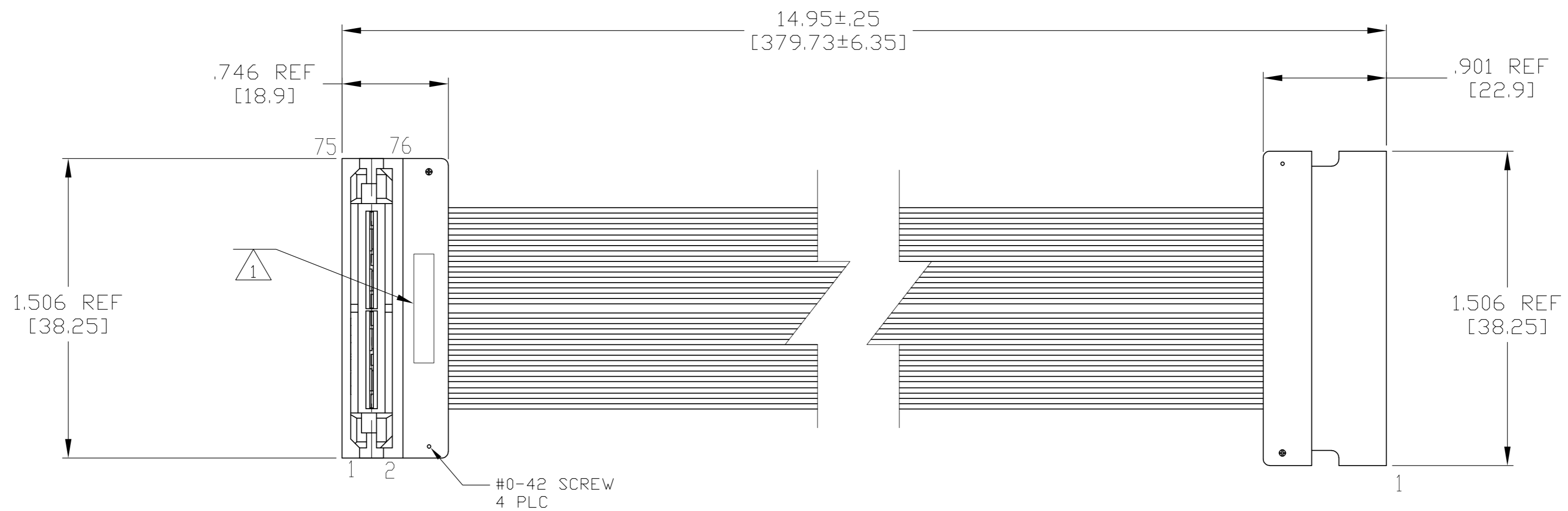


THIS DRAWING IS UNPUBLISHED. RELEASED FOR PUBLICATION
 © COPYRIGHT - By - ALL RIGHTS RESERVED.

LOC		DIST		REVISIONS			
P	LTR	DESCRIPTION		DATE	DWN	APVD	
G		REV PER ECO 12-007054		4-13-12	CT	DH	



1 TE PART NUMBER, PRECISION INTERCONNECT PART NO. AND DATE CODE (YY/WW) MARKED IN THIS AREA.

THIS DRAWING IS A CONTROLLED DOCUMENT.		DWN	1-26-11	500-7147-00		2157357-1	
DIMENSIONS: INCHES		CHK	1-26-11	PRECISION INTERCONNECT PART NUMBER		TE PART NO.	
TOLERANCES UNLESS OTHERWISE SPECIFIED:		APVD	1-26-11	C.C.THOMAS		TE Connectivity	
0 PLC ± -		PRODUCT SPEC		D.HOANG		NAME	
1 PLC ± -		APPLICATION SPEC		D.HOANG		CABLE ASSY, MICTOR SMT, 76 POSITION (CUSTOM)	
2 PLC ± -				D.HOANG		SIZE	
3 PLC ± -				D.HOANG		CAGE CODE	
4 PLC ± -				D.HOANG		DRAWING NO	
ANGLES ± -				D.HOANG		RESTRICTED TO	
FINISH				D.HOANG		-	
MATERIAL		WEIGHT	-	A2 00779		C=2157357	
		CUSTOMER DRAWING		SCALE 3:2		SHEET 1 of 1	
				REV G			

单击下面可查看定价，库存，交付和生命周期等信息

[>>TE Connectivity\(泰科\)](#)