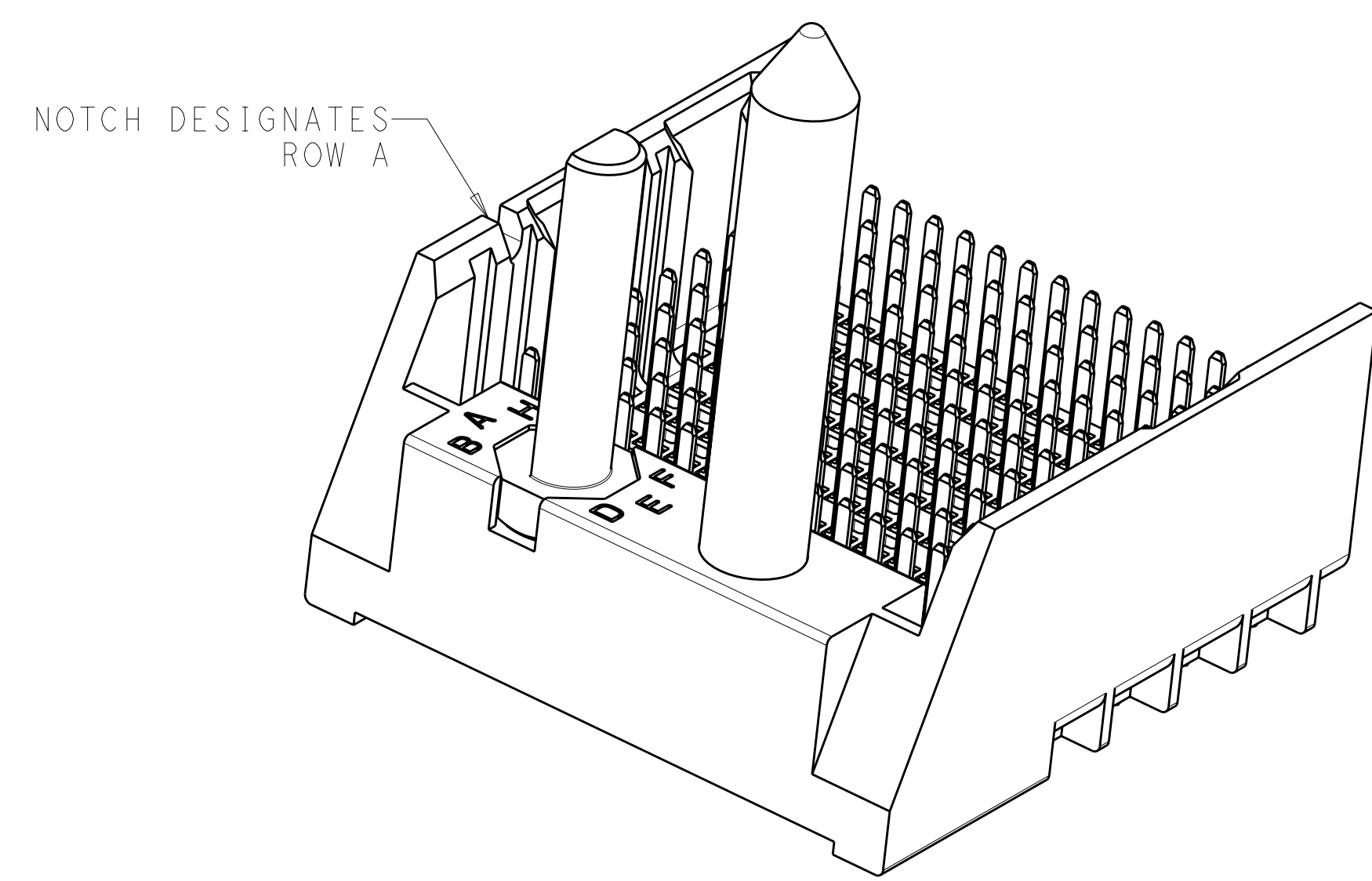
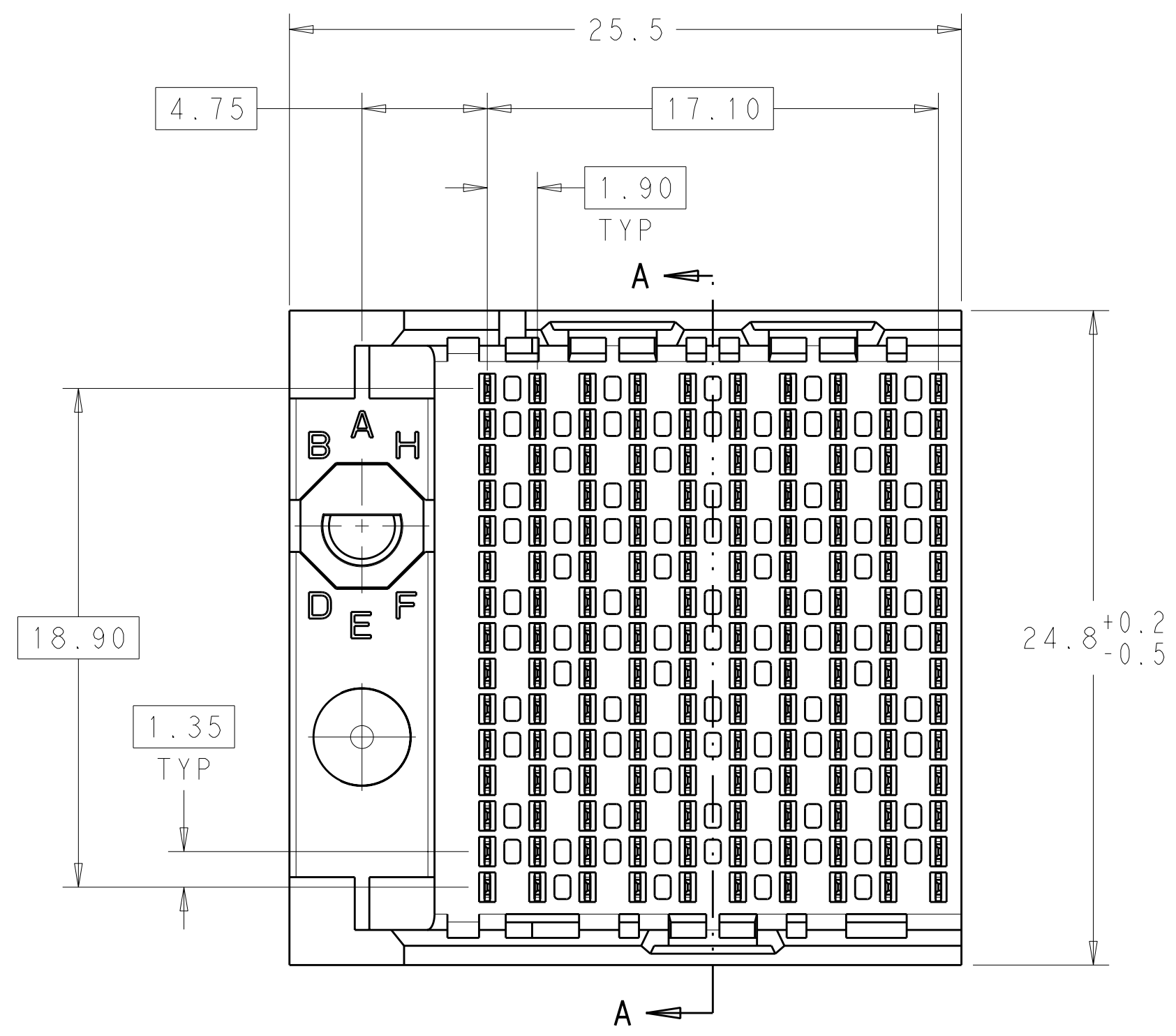
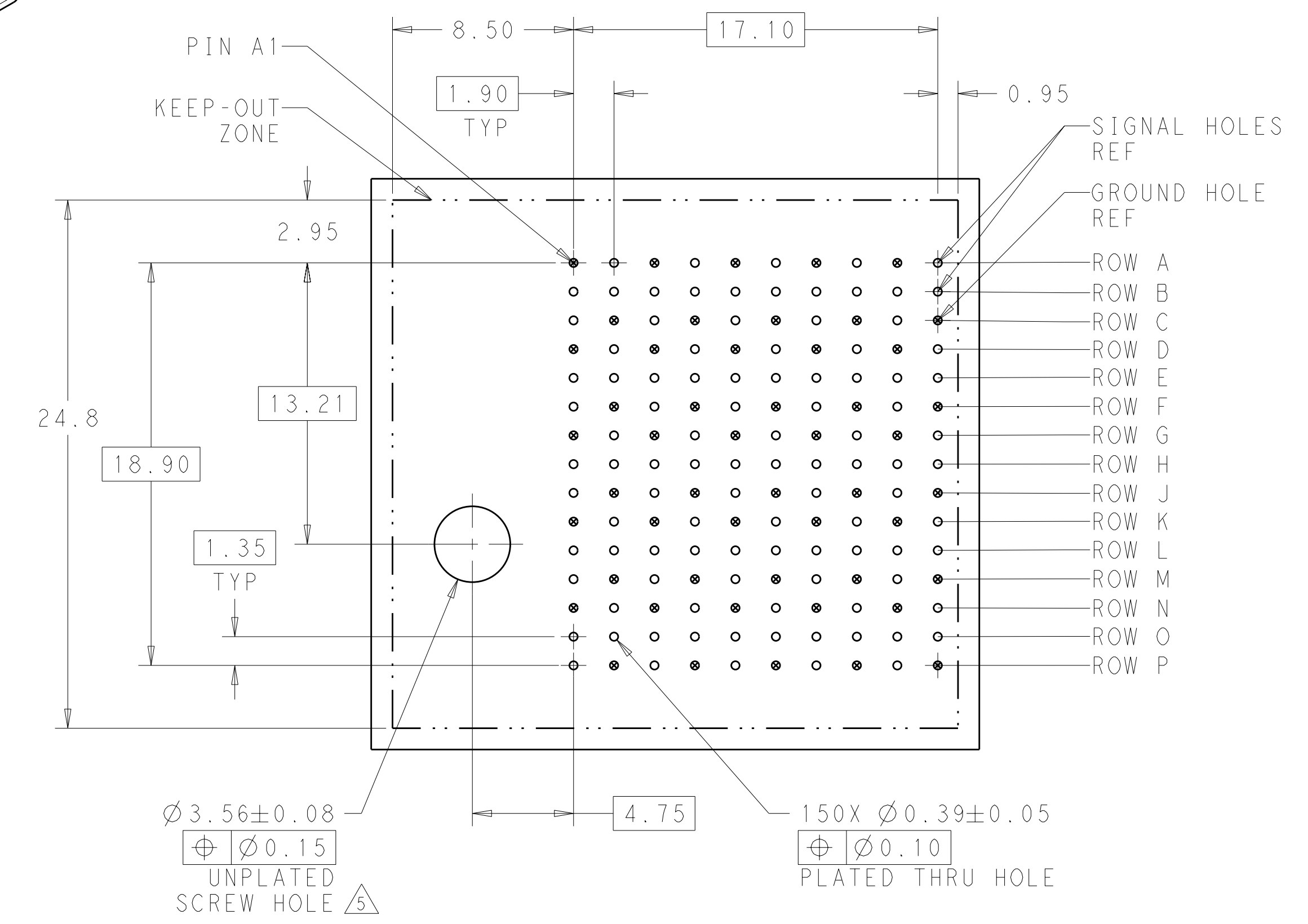


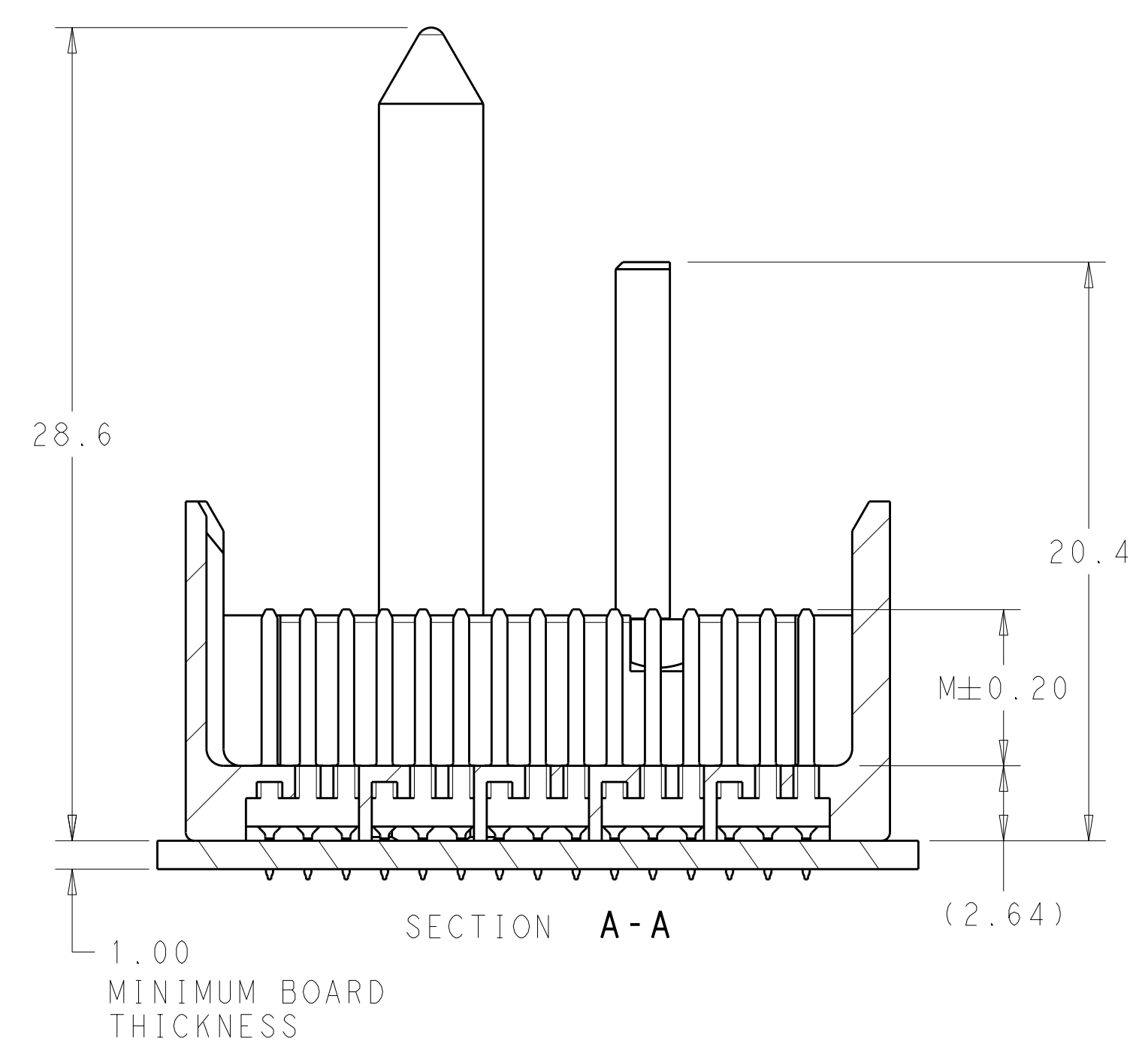
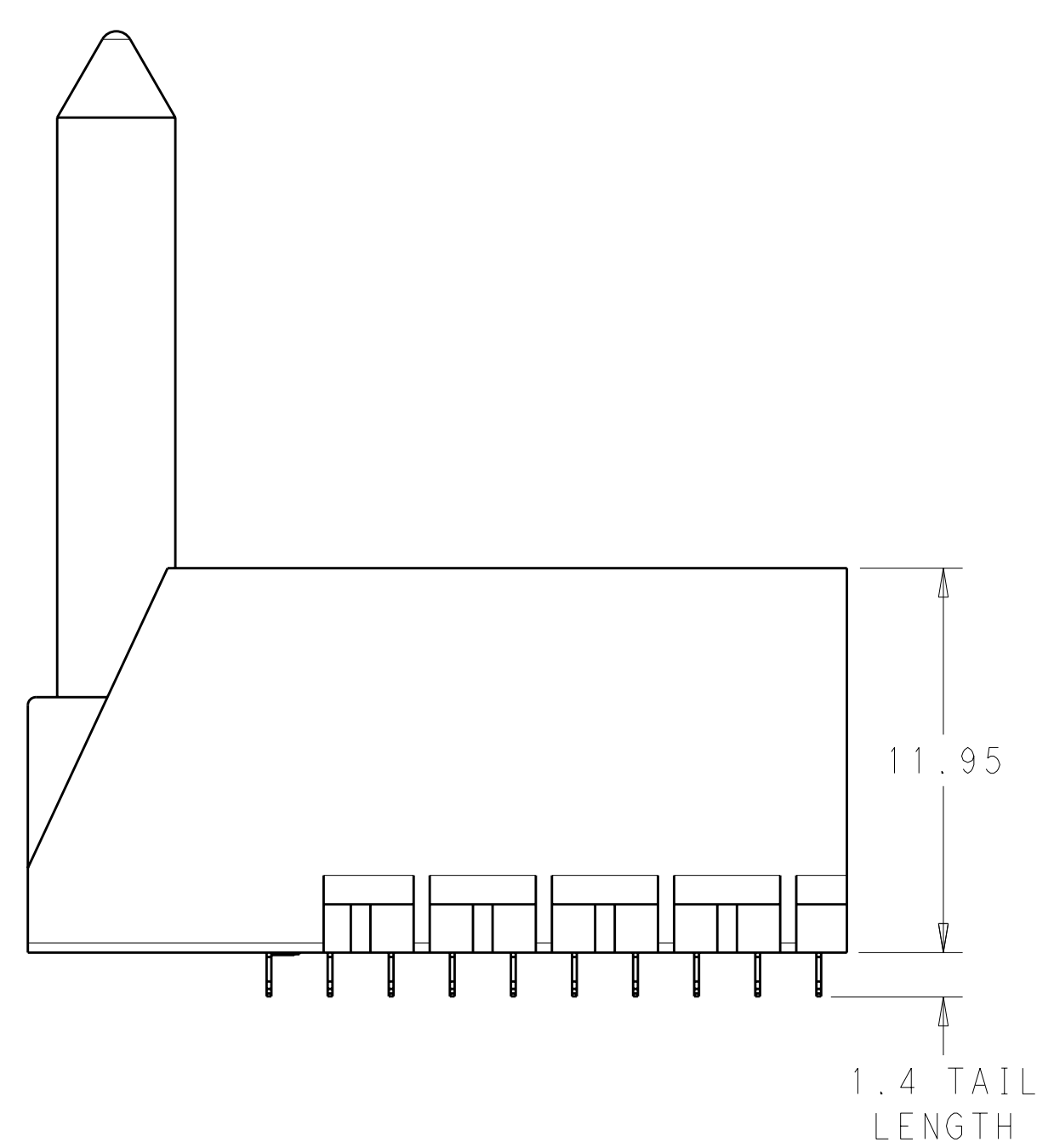
LOC	DIST	REV	DATE	BY	CHK	APPV
AD	00	1	24FEB2011	JKS	JE	
		A	24FEB2012	BC	DY	



- 1 MATERIAL:
HOUSING: LCP, GLASS FILLED, UL94V-0.
TERMINALS: HIGH PERFORMANCE COPPER ALLOY.
- 2 FINISH:
30µ" MIN GOLD IN CONTACT AREA. SELECTIVE TIN ON PCB TAILS, NICKEL OVERALL.
- 3 FINISH:
30µ" MIN GOLD IN CONTACT AREA. SELECTIVE TIN-LEAD ON PCB TAILS, NICKEL OVERALL.
- 4. SCREWS PACKAGED IN END OF PACKAGING TUBE.
- 5 FOR GROUNDED GUIDE PIN USE Ø3.56±0.08 PTH, Ø3.66 DRILL, AND Ø6.5 PAD.
- 6. KEYING PIN SHOWN IN POSITION A, SEE KEYING CHART ON SHEET 2 FOR OTHER POSITIONS.



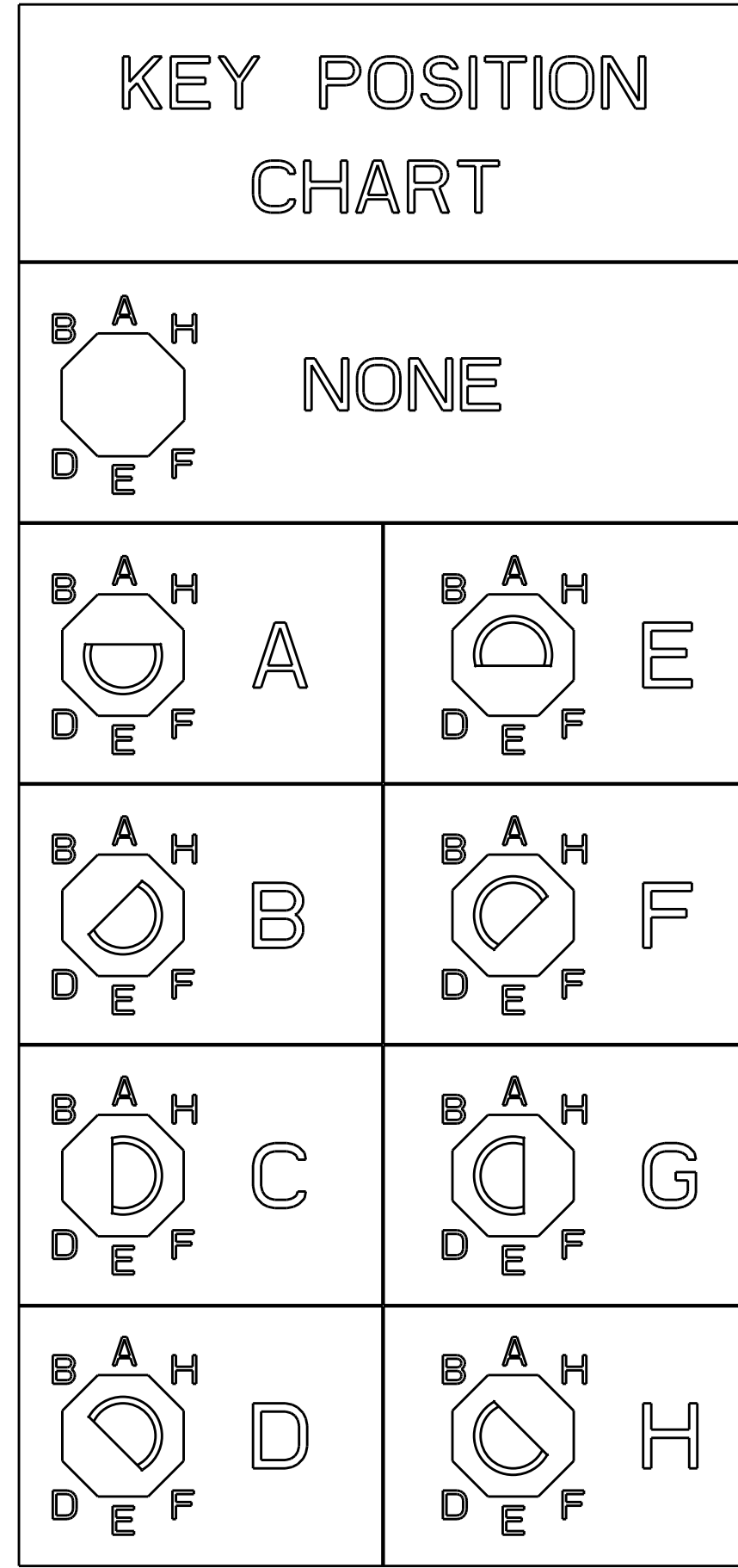
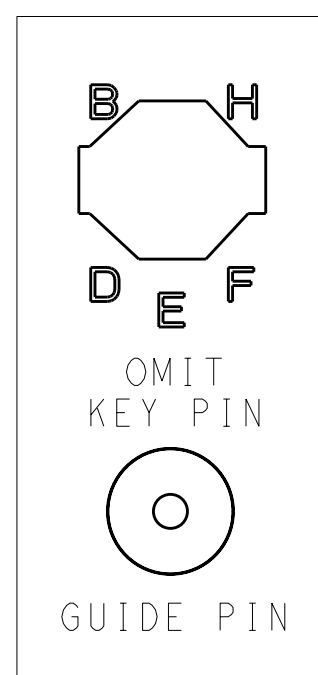
LEFT GUIDED BACKPLANE HOLE PATTERN (CONNECTOR SIDE)



THIS DRAWING IS A CONTROLLED DOCUMENT.		OWN J. K. SHOBER 24FEB2011	TE Connectivity
DIMENSIONS: mm		CHK J. EARY 24FEB2011	
TOLERANCES UNLESS OTHERWISE SPECIFIED:		APPV J. EARY 24FEB2011	
9 PLC ± 1 PLC ±0.25 5 PLC ±0.13 4 PLC ± ANGLES ±		NAME IMPACT, 5 PAIR, 10 COLUMN, HEADER LEFT GUIDED, OPEN END WALL SELECT LOAD, SIGNAL MODULE, 0.39 PTH	
MATERIAL		FINISH SEE TABLE	SIZE CAGE CODE DRAWING NO. RESTRICTED TO A1100779C=2180313
		WEIGHT	CUSTOMER DRAWING SCALE 5:1 SHEET 1 OF 2 REV A

LOC	DIST	REV	DATE	BY	APVD
AD	00	-	-	-	-
DESCRIPTION			DATE	DWN	APVD
SEE SHEET 1			-	-	-

2180313-1										
PART NUMBER		FINISH								
CONTACT LAYOUT										
A = 4.5mm (DIM M)										
B = 4.9mm (DIM M)										
C = 5.5mm (DIM M)										
COLUMNS										
	1	2	3	4	5	6	7	8	9	10
A	A	C	C	C	C	C	C	C	C	C
B	C	C	C	C	C	C	C	C	C	C
C	C	C	C	C	C	C	C	C	C	C
D	C	C	C	C	C	C	C	C	C	C
E	C	C	C	C	C	C	C	C	C	C
F	C	C	C	C	C	C	C	C	C	C
G	C	C	C	C	C	C	C	C	C	C
H	C	C	C	C	C	C	C	C	C	C
J	C	C	C	C	C	C	C	C	C	C
K	C	C	C	C	C	C	C	C	C	C
L	C	C	C	C	C	C	C	C	C	C
M	C	C	C	C	C	C	C	C	C	C
N	C	C	C	C	C	C	C	C	C	C
O	C	C	C	C	C	C	C	C	C	C
P	C	C	C	C	C	C	C	C	C	C



REFER TO WWW.TE.COM FOR PRODUCT AVAILABILITY

THIS DRAWING IS A CONTROLLED DOCUMENT.		DWN	J. K. SHOBER	24FEB2011
DIMENSIONS:		CHK	J. EARY	24FEB2011
mm	TOLERANCES UNLESS OTHERWISE SPECIFIED:	APVD	J. EARY	24FEB2011
	9 PLC ±	NAME		
	2 PLC ±0.25	IMPACT, 5 PAIR, 10 COLUMN, HEADER		
	3 PLC ±0.13	LEFT GUIDED, OPEN END WALL		
	5 PLC ±	SELECT LOAD, SIGNAL MODULE, 0.39 PTH		
	4 PLC ±	SIZE		
	ANGLES ±	A100779C=2180313		
MATERIAL	FINISH	WEIGHT	RESTRICTED TO	
-	SEE TABLE	-	A100779C=2180313	
CUSTOMER DRAWING		SCALE	5:1	SHEET 2 OF 2
		REV	A	

单击下面可查看定价，库存，交付和生命周期等信息

[>>TE Connectivity\(泰科\)](#)