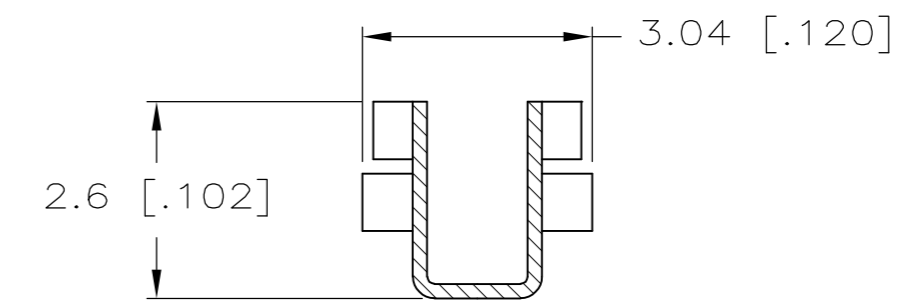
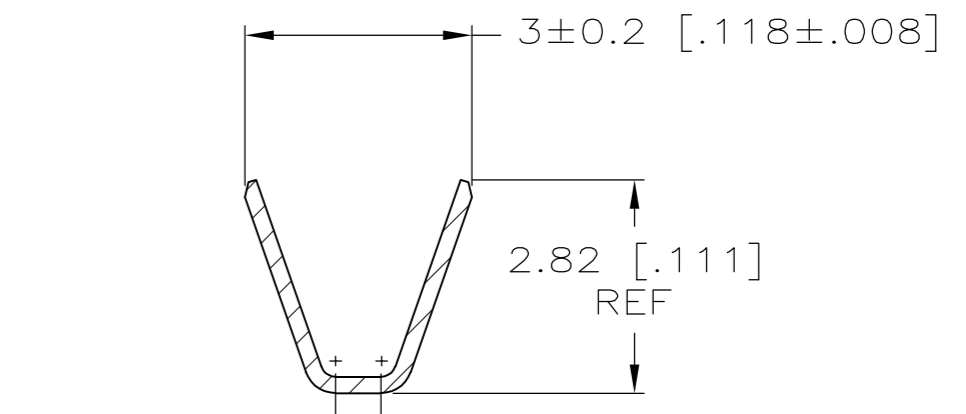
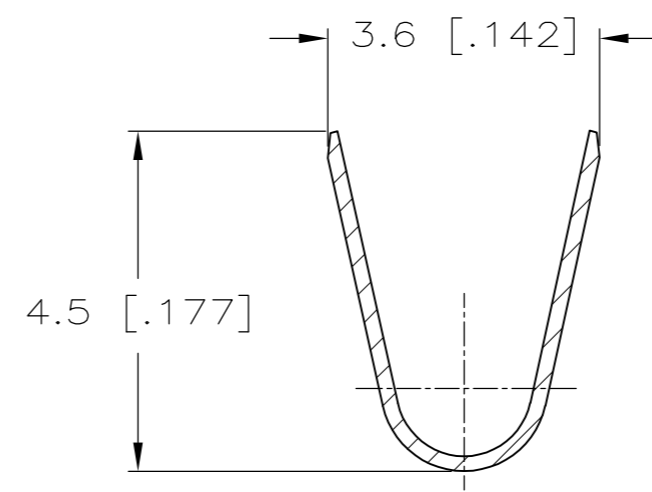
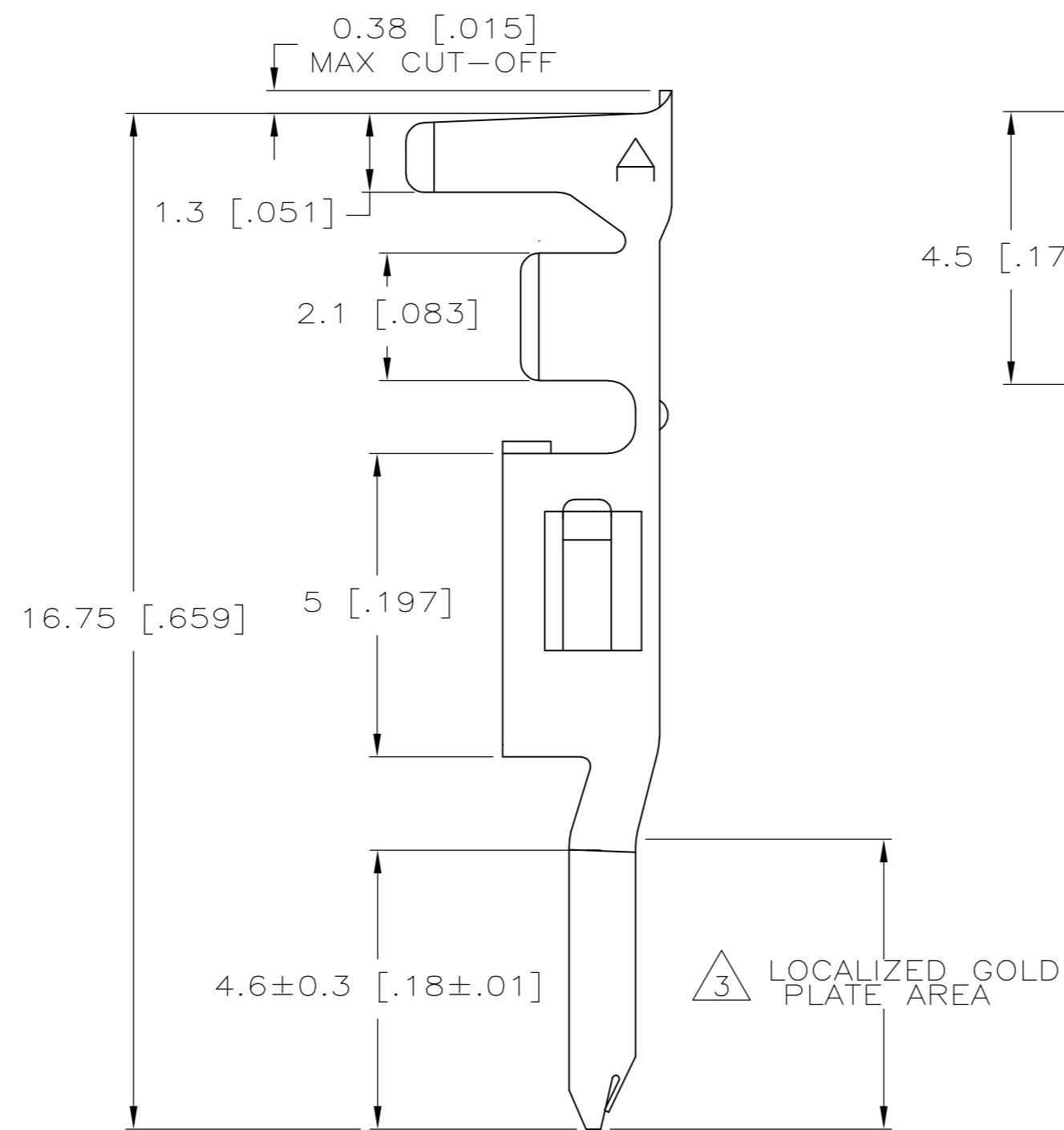
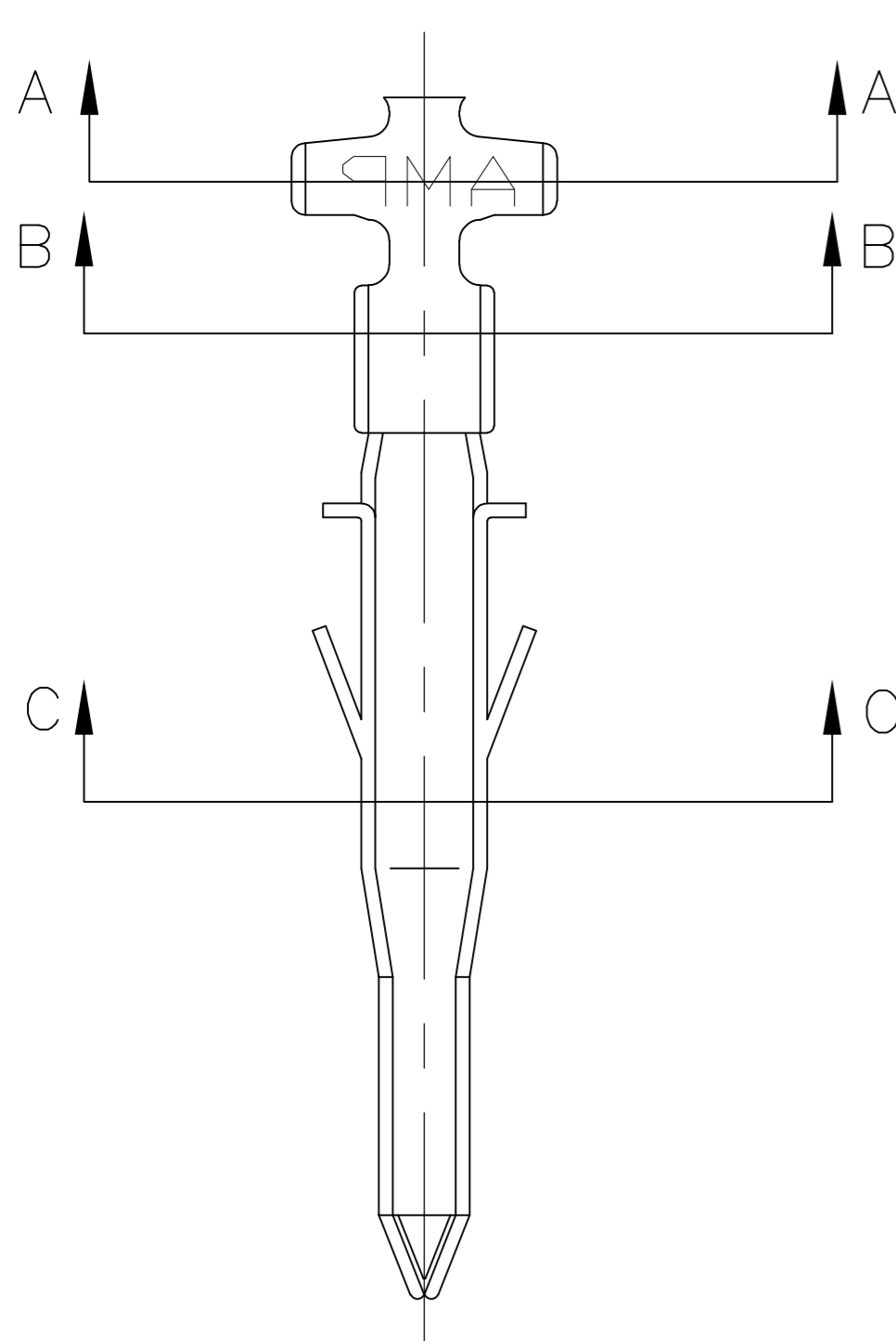


THIS DRAWING IS UNPUBLISHED. RELEASED FOR PUBLICATION  
 © COPYRIGHT BY TYCO ELECTRONICS CORPORATION. ALL RIGHTS RESERVED.

LOC	DIST	REVISIONS			
P	LTR	DESCRIPTION	DATE	DWN	APVD
CM	00	B1	REVISED PER ECO-08-027061	05NOV08	HMR CC

1. WIRE RANGE: 1.31mm<sup>2</sup> (16 AWG)
2. INSULATION RANGE: 3.10 [.122] DIA.
3. FINISH: 0.76µm [.000030 in] GOLD IN LOCALIZED GOLD PLATE AREA OVER 1.27µm [.00005 in] MINIMUM NICKEL.
4. FINISH: 2.54µm [.00001 in] MINIMUM TIN IN LOCALIZED TIN PLATE AREA.



3 4	PHOS. BRZ.	1586840-4
PRE-TIN	PHOS. BRZ.	1586840-3
3 4	BRASS	1586840-2
PRE-TIN	BRASS	1586840-1
FINISH	MATERIAL	PART NO.

**METRIC**

DIMENSIONS:		TOLERANCES UNLESS OTHERWISE SPECIFIED:		APPLICABLE SPECIFICATIONS		MATERIAL		FINISH		WEIGHT		CUSTOMER DRAWING	
mm	[INCHES]	0 PLC	±	04APR2007	04APR2007	04APR2007	04APR2007	04APR2007	04APR2007	04APR2007	04APR2007	04APR2007	04APR2007
		1 PLC	±										
		2 PLC	± 0.13 [.005]										
		3 PLC	±										
		4 PLC	±										
		ANGLES	± 0°30'										

单击下面可查看定价，库存，交付和生命周期等信息

[>>TE Connectivity\(泰科\)](#)