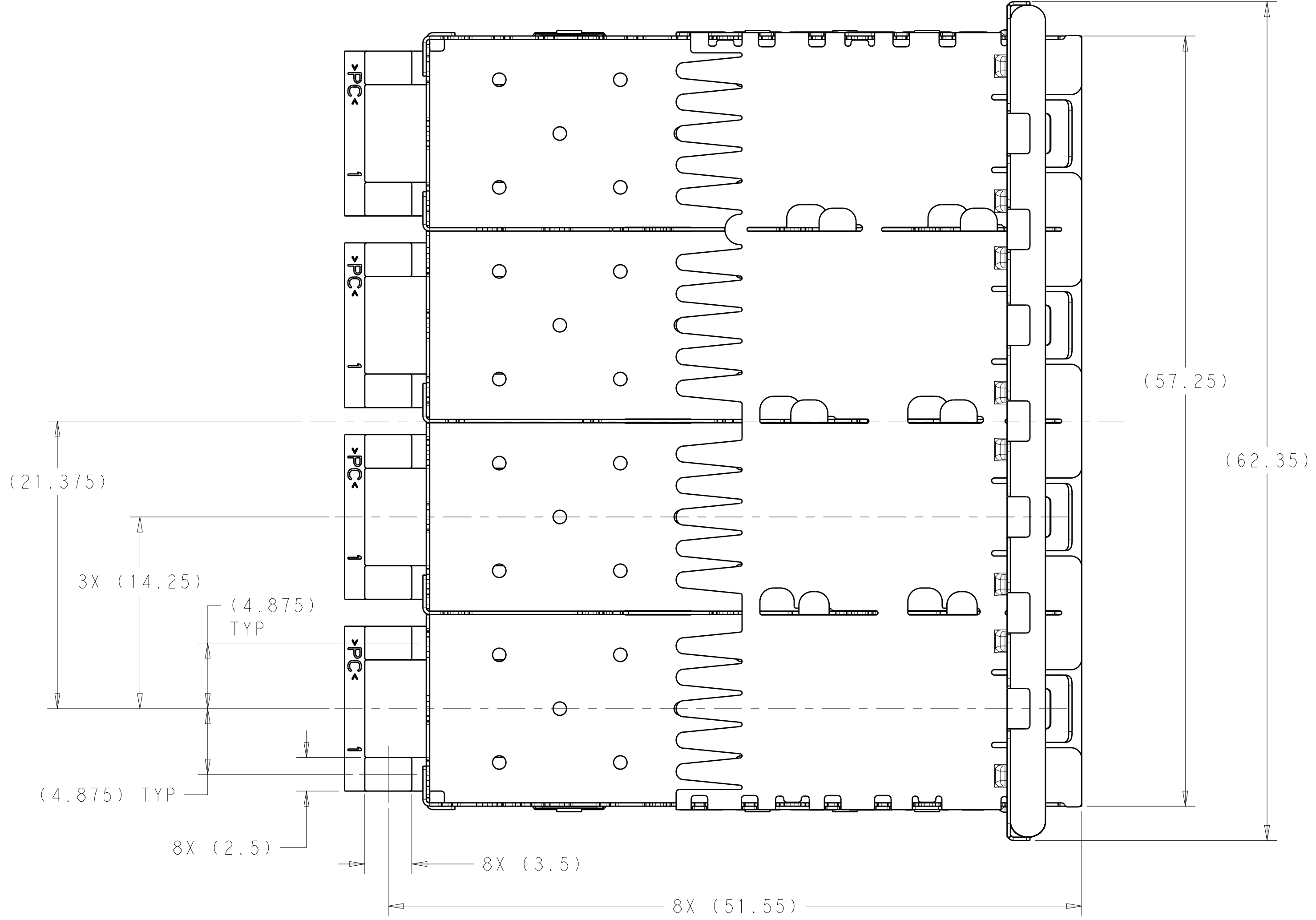
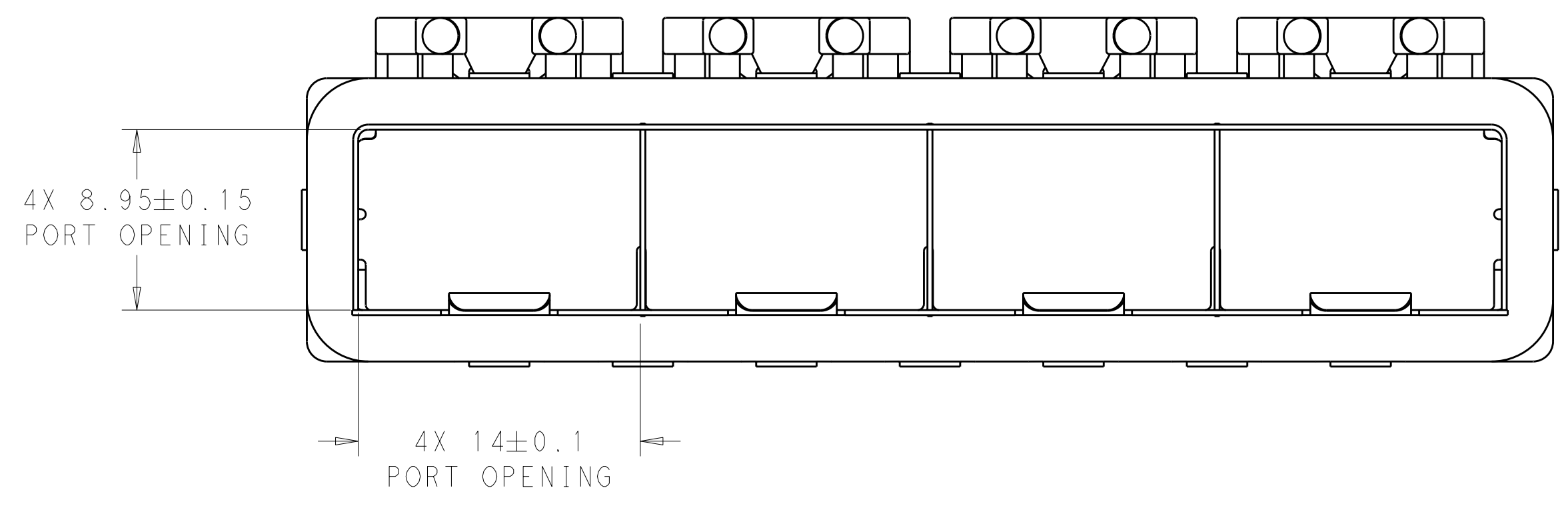
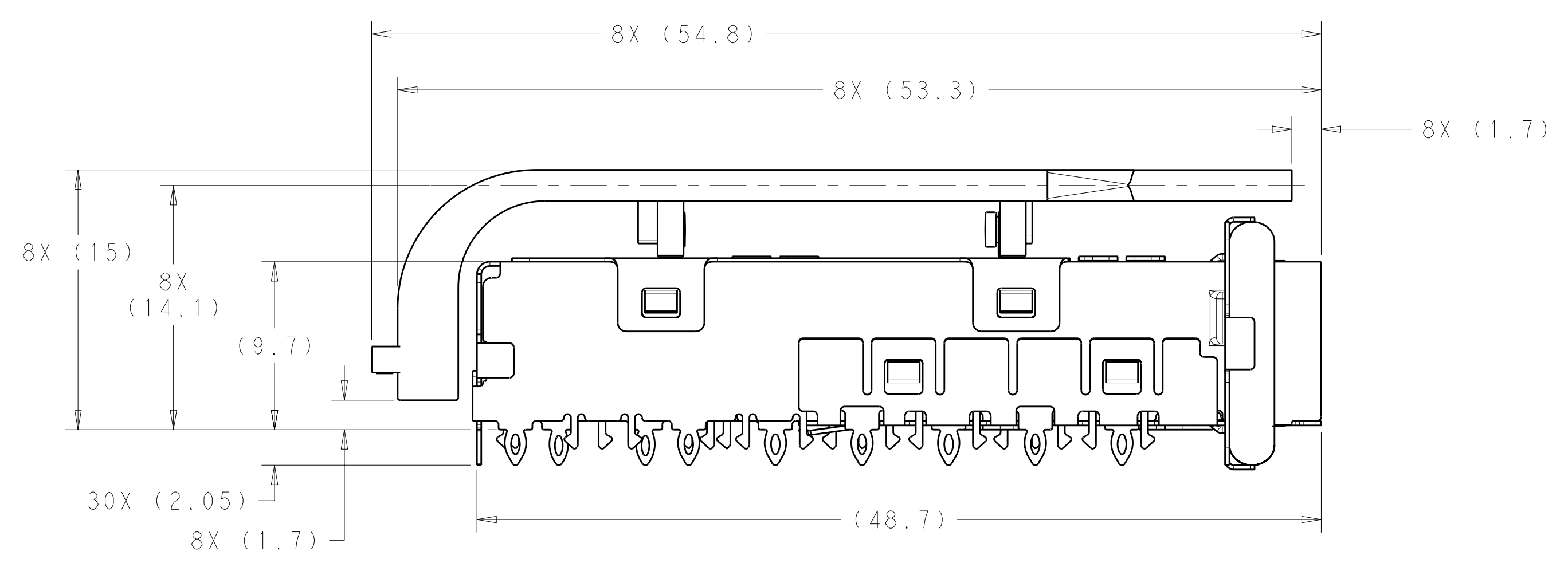
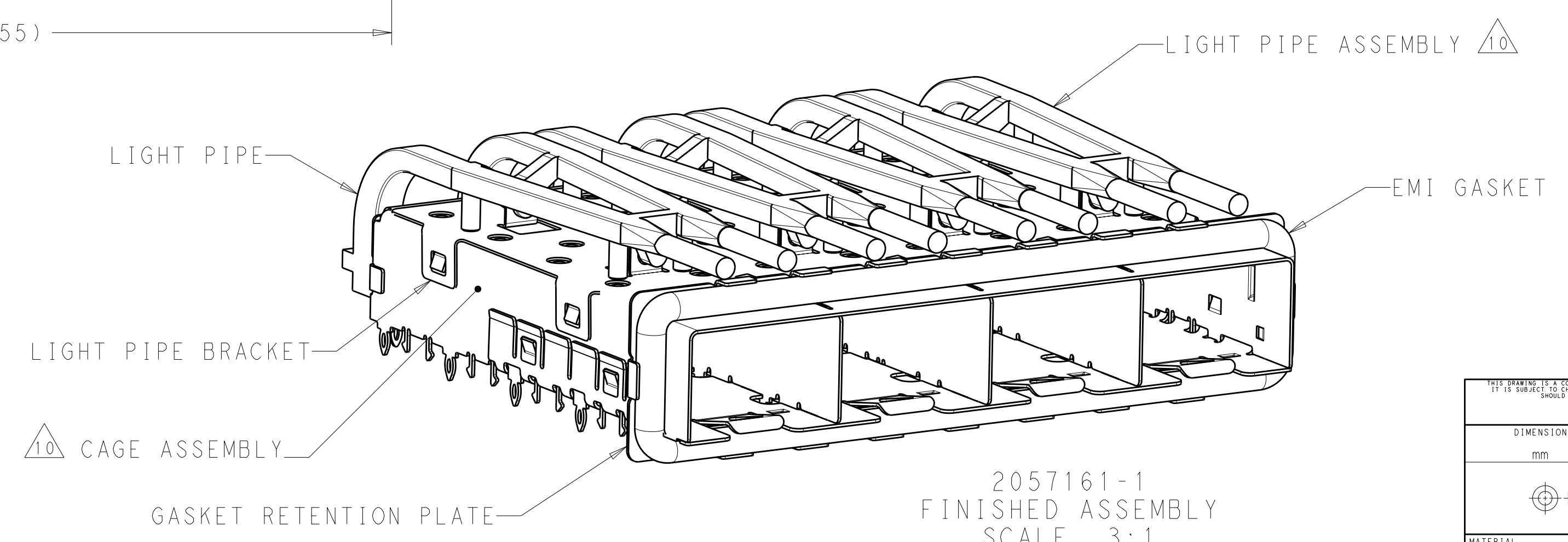


LOC		DIST		REVISIONS			
GP	00	P	LTR	DESCRIPTION	DATE	DWN	APVD
		A		RELEASED PER ECO-10-025263	22FEB2011	CJV	JTL



- △ MATERIAL:
 CAGE ASSEMBLY: NICKEL SILVER ALLOY
 GASKET RETENTION PLATE: STAINLESS STEEL
 EMI GASKET: PLATED FILLED SILICONE
 LIGHT PIPE BRACKET: STAINLESS STEEL
 LIGHT PIPE: POLYCARBONATE, CLEAR
- △ DATUM AND BASIC DIMENSION ESTABLISHED BY CUSTOMER.
- 3. MATES WITH SFP MSA COMPLIANT TRANSCEIVERS.
- △ PADS AND VIAS CHASSIS GROUND.
- 5. INTERPRETATION OF DATUM REFERENCE FRAME IN ACCORDANCE WITH SECT 4.4.1.1 OF ASME Y14.5M-1994.
- △ MINIMUM PC BOARD THICKNESS: SINGLE SIDED = 1.45
- △ HOLE PATTERN REPEATS FOR EACH PORT. SPACING BETWEEN PORTS IS 14.25mm.
- △ REFERENCE APPLICATION SPEC. 114-13120, HOLE A, FOR RECOMMENDED DRILL HOLE DIAMETER AND PLATING THICKNESS.
- △ REFERENCE APPLICATION SPEC. 114-13120, HOLE B, FOR RECOMMENDED DRILL HOLE DIAMETER AND PLATING THICKNESS.
- △ LIGHT PIPE ASSEMBLY SHIPPED UNASSEMBLED TO CAGE ASSEMBLY. CAGE ASSEMBLY TO BE PRESSED INTO THE PCB PRIOR TO ATTACHING THE LIGHT PIPE ASSEMBLY TO THE CAGE.

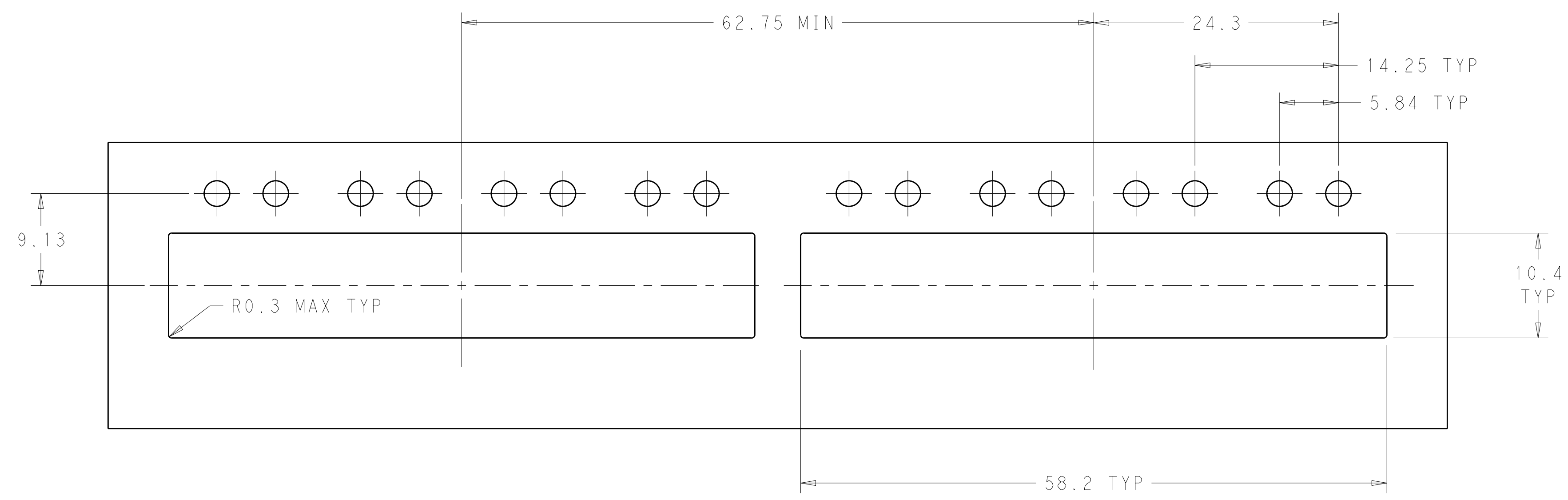


2057161-1
 FINISHED ASSEMBLY
 SCALE 3:1

2057161-1
 PART
 NUMBER

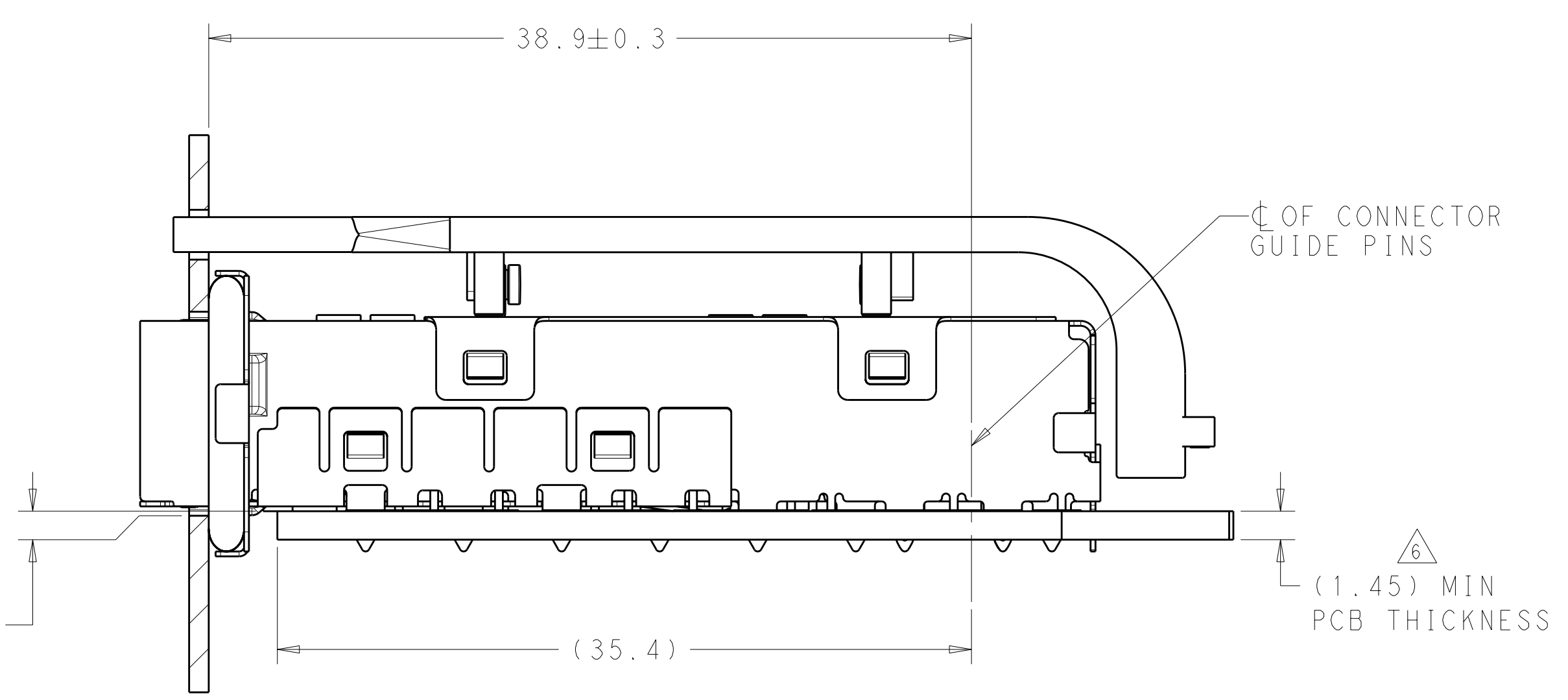
<small>THIS DRAWING IS UNPUBLISHED. RELEASED FOR PUBLICATION BY TYCO ELECTRONICS CORPORATION. ALL INTERNATIONAL RIGHTS RESERVED.</small>		DWN: J. LIPPERT 15OCT2010 CHK: M. SCHMITT 15OCT2010 APVD: M. SCHMITT 15OCT2010	Tyco Electronics Harrisburg, PA 17105-3608
DIMENSIONS: mm	TOLERANCES UNLESS OTHERWISE SPECIFIED: 9 PLC ±0.1 1 PLC ±0.1 3 PLC ±0.1 5 PLC ±0.1 4 PLC ±0.1 ANGLES ±0.1	PRODUCT SPEC: APPLICATION SPEC: 114-13120	NAME: SFP+ 1X4 ENHANCED CAGE ASSEMBLY, PRESS FIT, EMI GASKET WITH LIGHT PIPE SIZE: CAGE CODE DRAWING NO: A100779 ©=2057161 WEIGHT: - CUSTOMER DRAWING
MATERIAL: - FINISH: -		SCALE: 4:1 SHEET: 1 OF 4 REV: A	RESTRICTED TO: -

LOC	DIST	REV	DATE	BY	APPD
GP	00				
REVISIONS					

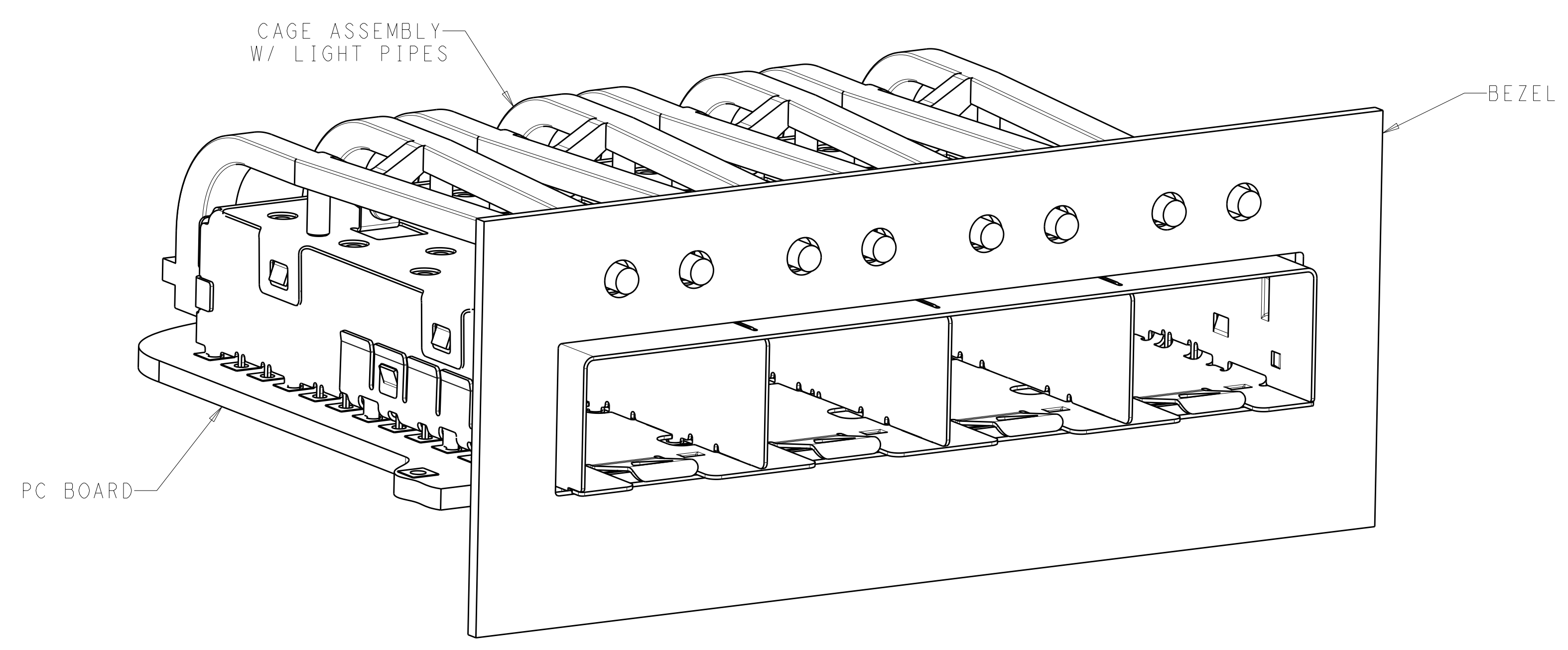


RECOMMENDED BEZEL CUT-OUT
 SINGLE SIDED APPLICATIONS
 SCALE 3:1

0.23^{+0.10}_{-0.14}
 TOP OF PCB
 TO INSIDE OF
 BEZEL CUT-OUT



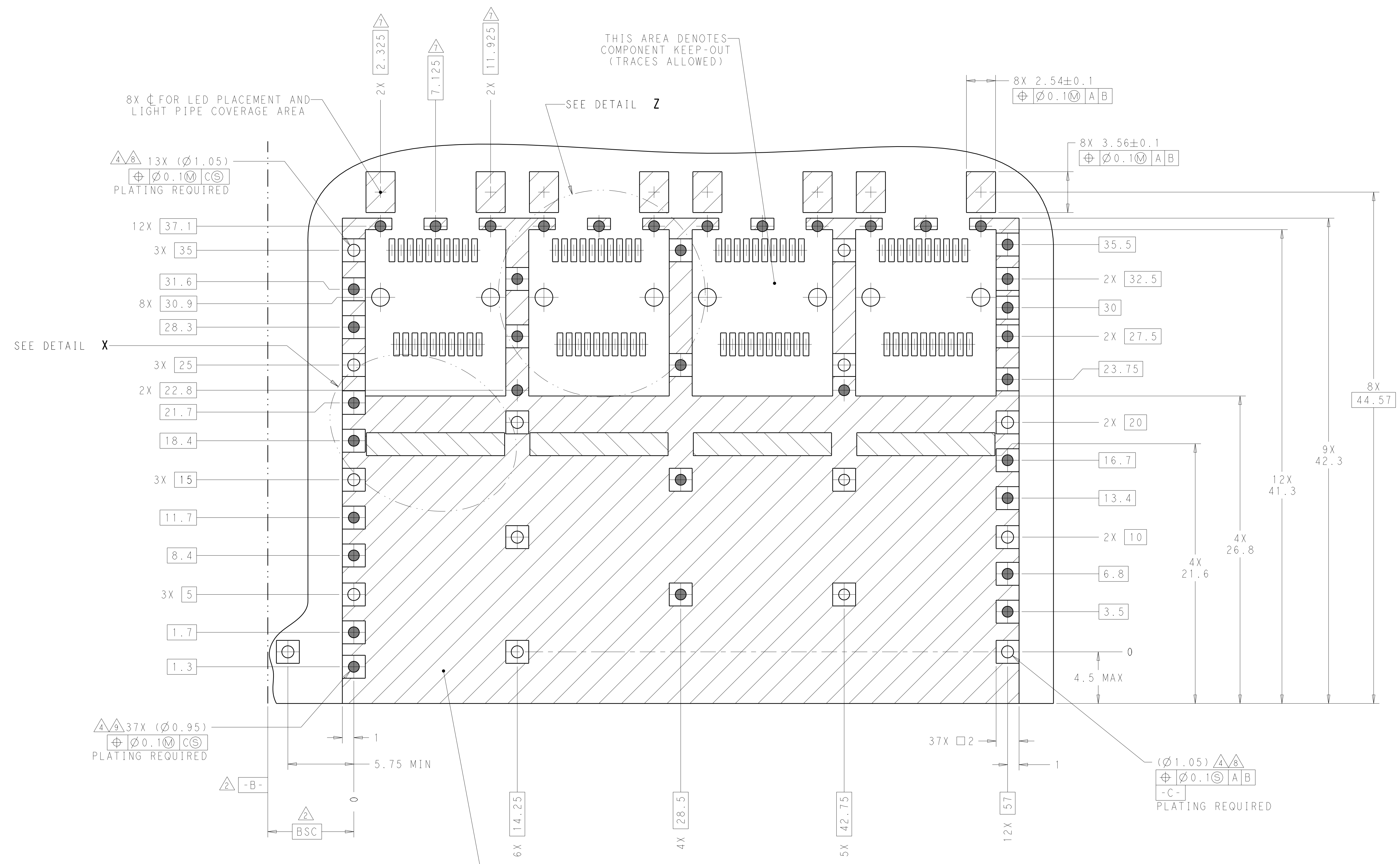
2057161-1
 MOUNTED ON PCB
 SHOWN THRU RECOMMENDED BEZEL



2057161-1
 MOUNTED ON PCB
 SHOWN THRU RECOMMENDED BEZEL

<small>THIS DRAWING IS UNPUBLISHED. RELEASED FOR PUBLICATION 20 BY TYCO ELECTRONICS CORPORATION, ALL INTERNATIONAL RIGHTS RESERVED.</small>		DWN: J. LIPPERT 15OCT2010 CHK: M. SCHMITT 15OCT2010 APPD: M. SCHMITT 15OCT2010	Tyco Electronics Harrisburg, PA 17105-3608
DIMENSIONS: mm TOLERANCES UNLESS OTHERWISE SPECIFIED: 9 PLC ±0.1 1 PLC ±0.1 2 PLC ±0.1 3 PLC ±0.1 4 PLC ±0.1 ANGLES ±0.1 FINISH		NAME: SFP+ 1X4 ENHANCED CAGE ASSEMBLY, PRESS FIT, EMI GASKET WITH LIGHT PIPE PRODUCT SPEC: - APPLICATION SPEC: - WEIGHT: 114-13120 CUSTOMER DRAWING	SIZE: A100779 CAGE CODE: C=2057161 SCALE: 4:1 SHEET: 2 OF 4 REV: A

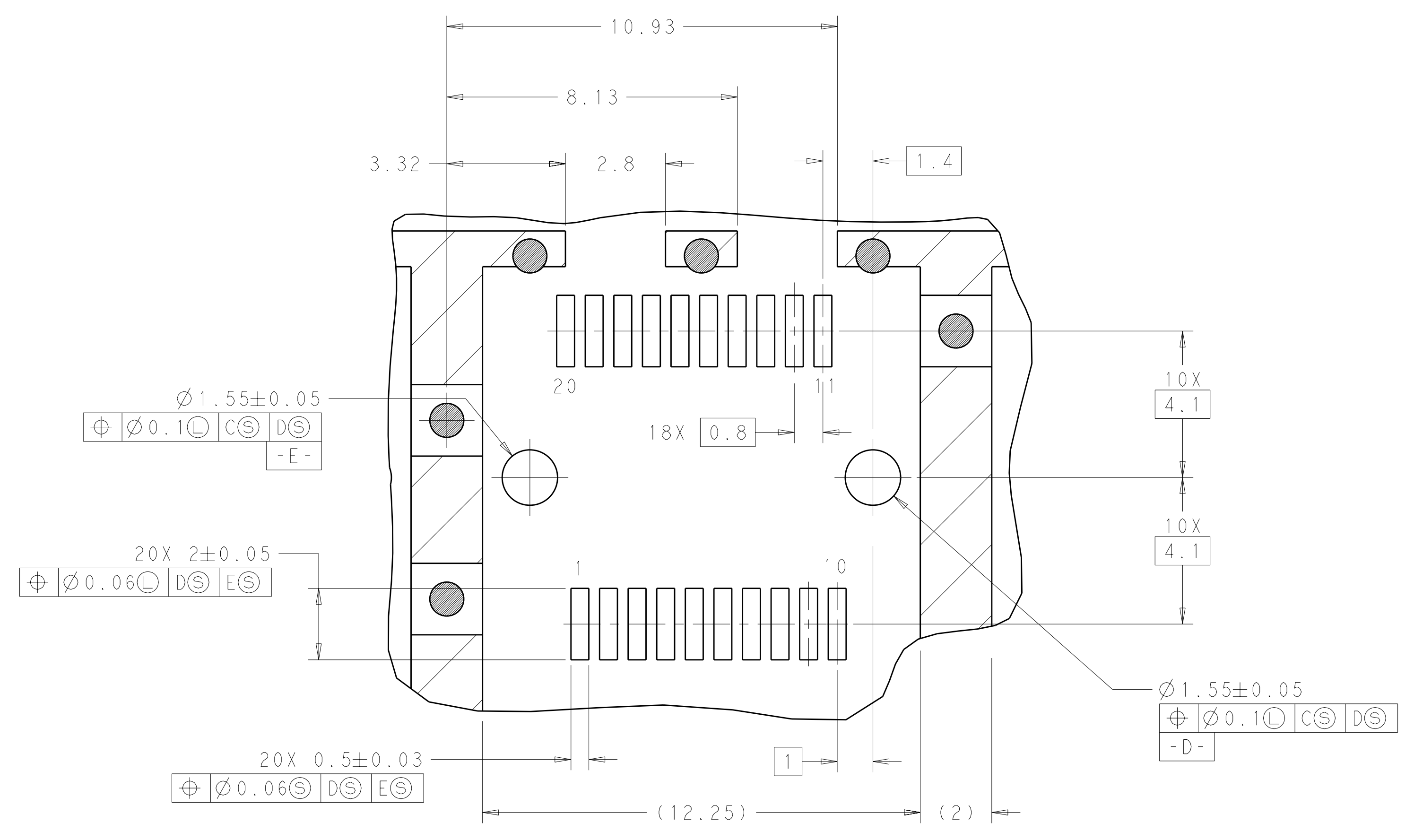
LOC	DIST	REV	DESCRIPTION	DATE	DWN	APVD
GP	00		SEE SHEET 1			



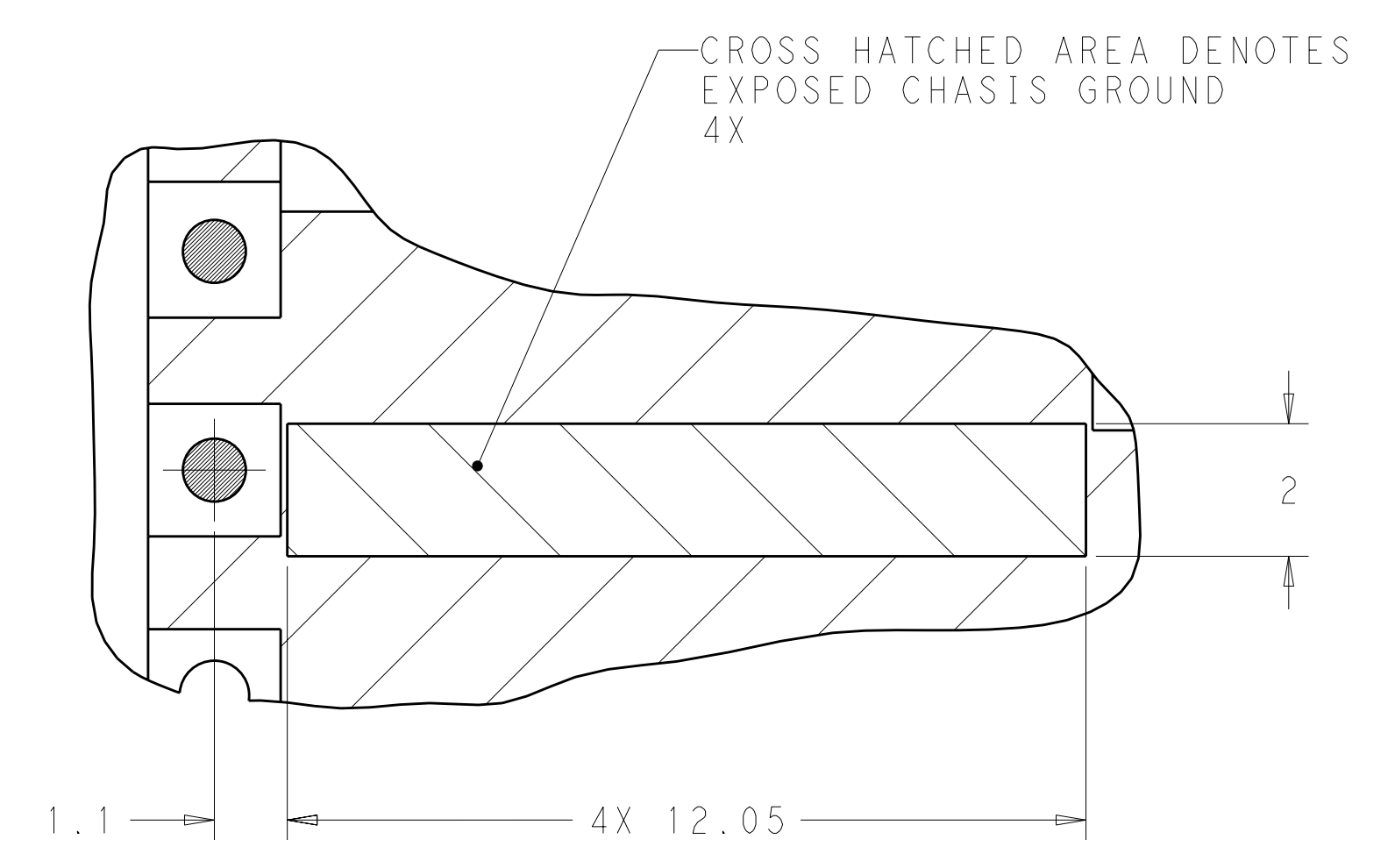
RECOMENDED PCB CONFIGURATION WITH KEEP OUT AREAS
SCALE 6:1

<small>THE INFORMATION CONTAINED HEREIN IS UNCLASSIFIED EXCEPT WHERE SHOWN OTHERWISE. IT IS SUBJECT TO CHANGE WITHOUT NOTICE AND WITHOUT LIABILITY. CONTACT THE TYCO ELECTRONICS CORPORATION FOR THE LATEST REVISION.</small>		DWN: J. LIPPERT 15OCT2010 CHK: M. SCHMITT 15OCT2010 APVD: M. SCHMITT 15OCT2010	Tyco Electronics Harrisburg, PA 17105-3608
DIMENSIONS: mm 9 PLC ±0.1 1 PLC ±0.1 2 PLC ±0.1 3 PLC ±0.1 4 PLC ±0.1 ANGLES ±0.1	TOLERANCES UNLESS OTHERWISE SPECIFIED: FINISH: -	NAME: SFP+ 1X4 ENHANCED CAGE ASSEMBLY, PRESS FIT, EMI GASKET WITH LIGHT PIPE SIZE: CAGE CODE DRAWING NO: 114-13120 WEIGHT: A100779C=2057161 CUSTOMER DRAWING	Tyco Electronics Harrisburg, PA 17105-3608 NAME: SFP+ 1X4 ENHANCED CAGE ASSEMBLY, PRESS FIT, EMI GASKET WITH LIGHT PIPE SIZE: CAGE CODE DRAWING NO: 114-13120 WEIGHT: A100779C=2057161 CUSTOMER DRAWING
MATERIAL: - FINISH: -		SCALE: 4:1 SHEET: 3 OF 4 REV: A	RESTRICTED TO: -

LOC	DIST	REVISIONS					
GP	00	P	LTN	DESCRIPTION	DATE	DWN	APVD
				SEE SHEET 1			



DETAIL Z
RECOMMENDED PT CONNECTOR LAYOUT
4X INDIVIDUALLY
SCALE 10:1



DETAIL X
SCALE 10:1

<small>THIS DRAWING IS UNPUBLISHED. RELEASED FOR PUBLICATION. 20 COPYRIGHT 20 BY TYCO ELECTRONICS CORPORATION, ALL INTERNATIONAL RIGHTS RESERVED.</small>		DWN J. LIPPERT 15OCT2010	Tyco Electronics Harrisburg, PA 17105-3608
<small>THIS DRAWING IS UNPUBLISHED. RELEASED FOR PUBLICATION. 20 COPYRIGHT 20 BY TYCO ELECTRONICS CORPORATION, ALL INTERNATIONAL RIGHTS RESERVED.</small>		CHK M. SCHMITT 15OCT2010	
<small>THIS DRAWING IS UNPUBLISHED. RELEASED FOR PUBLICATION. 20 COPYRIGHT 20 BY TYCO ELECTRONICS CORPORATION, ALL INTERNATIONAL RIGHTS RESERVED.</small>		APVD M. SCHMITT 15OCT2010	NAME SFP+ 1X4 ENHANCED CAGE ASSEMBLY, PRESS FIT, EMI GASKET WITH LIGHT PIPE
<small>THIS DRAWING IS UNPUBLISHED. RELEASED FOR PUBLICATION. 20 COPYRIGHT 20 BY TYCO ELECTRONICS CORPORATION, ALL INTERNATIONAL RIGHTS RESERVED.</small>		PRODUCT SPEC -	SIZE A100779
<small>THIS DRAWING IS UNPUBLISHED. RELEASED FOR PUBLICATION. 20 COPYRIGHT 20 BY TYCO ELECTRONICS CORPORATION, ALL INTERNATIONAL RIGHTS RESERVED.</small>		APPLICATION SPEC 114-13120	CAGE CODE C=2057161
<small>THIS DRAWING IS UNPUBLISHED. RELEASED FOR PUBLICATION. 20 COPYRIGHT 20 BY TYCO ELECTRONICS CORPORATION, ALL INTERNATIONAL RIGHTS RESERVED.</small>		WEIGHT -	RESTRICTED TO -
<small>THIS DRAWING IS UNPUBLISHED. RELEASED FOR PUBLICATION. 20 COPYRIGHT 20 BY TYCO ELECTRONICS CORPORATION, ALL INTERNATIONAL RIGHTS RESERVED.</small>		CUSTOMER DRAWING	SCALE 4:1 SHEET 4 OF 4 REV A

单击下面可查看定价，库存，交付和生命周期等信息

[>>TE Connectivity\(泰科\)](#)