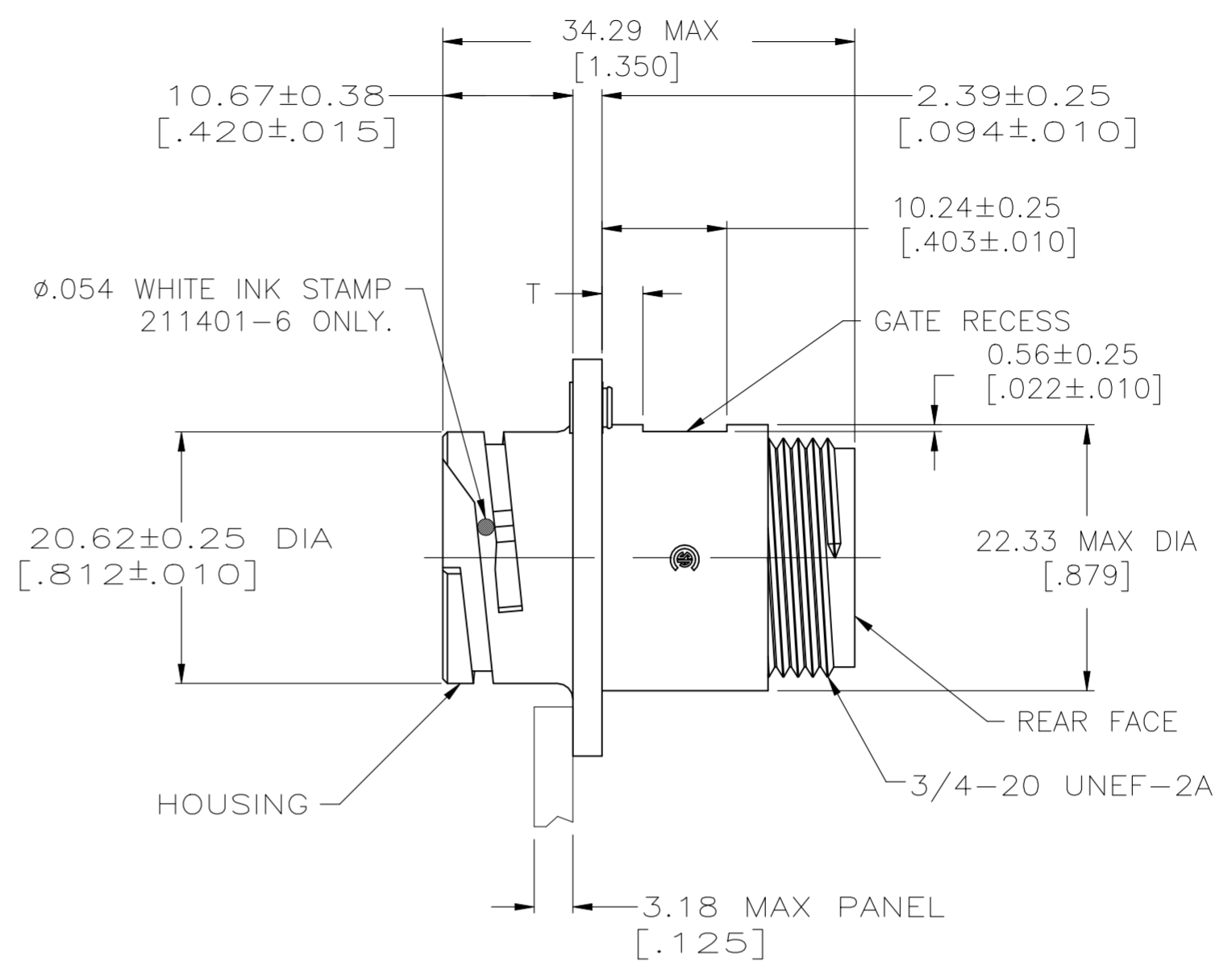
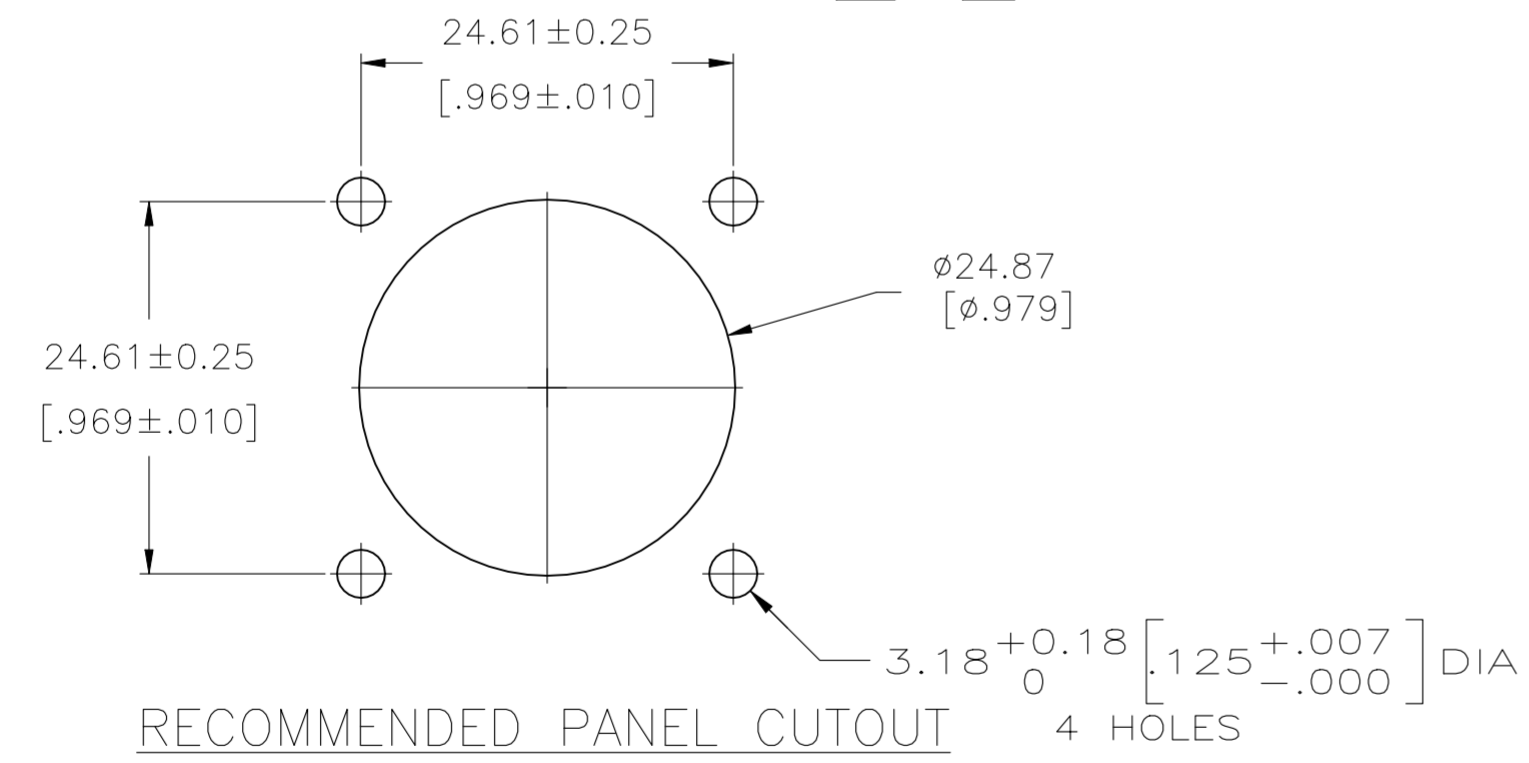
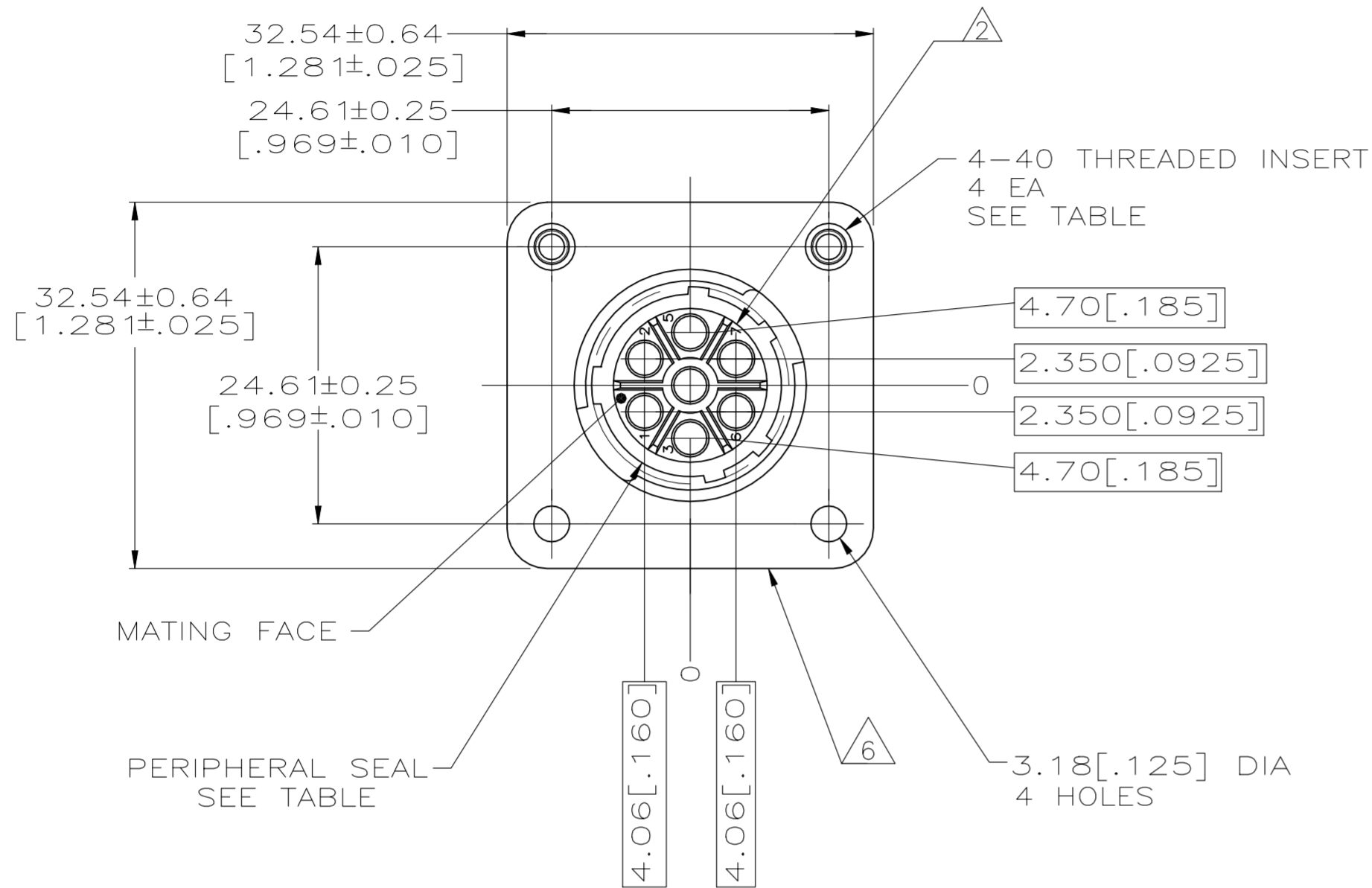


THIS DRAWING IS UNPUBLISHED. RELEASED FOR PUBLICATION  
 © COPYRIGHT - By - ALL RIGHTS RESERVED.

REVISIONS				
P	LTR	DESCRIPTION	DATE	APVD
L		REVISED PER ECO-21-006945	28OCT2021	RK MZ



	3.35±0.25 [.132±.010]	NO	NO	3.81 [.150]	211401-8
OBSOLETE	1.83±0.25 [.072±.010]	NO	NO	3.81 [.150]	211401-6
5	1.83±0.25 [.072±.010]	YES	NO	2.54 [.100]	211401-5
	1.83±0.25 [.072±.010]	YES	NO	3.81 [.150]	211401-4
	1.83±0.25 [.072±.010]	NO	YES	3.81 [.150]	211401-3
	1.83±0.25 [.072±.010]	NO	NO	2.54 [.100]	211401-2
	1.83±0.25 [.072±.010]	NO	NO	3.81 [.150]	211401-1
T	4-40 THREADED INSERTS	PERIPHERAL SEAL	MAX WIRE INSULATION DIA	PART NUMBER	

- 1 HOUNSING: THERMOPLASTIC, BLACK. PERIPHERAL SEAL: ELASTOMER, BLACK. THREADED INSERTS: BRASS.
- 2 CAVITY IDENTIFICATION ON FRONT AND REAR FACE.
- 3. WILL ACCEPT SEVEN (7) MULTIMATE PIN CONTACTS.
- 4. .0050MAX FLASH PERMITTED IN THE AREA OF DIMENSION T, .020 MAX FLASH PERMITTED ON MATING FACE SIDE AND .025 MAX FLASH PERMITTED ON REAR FACE SIDE.
- 5 PRELIMINARY PART NUMBER.
- 6 TE LOGO AND PART NUMBER LOCATED ON ANY FLANGE EDGE

THIS DRAWING IS A CONTROLLED DOCUMENT. DWN D.HARDY 08-01-94  
 CHK R.STONE 08-10-94

**STE** TE Connectivity

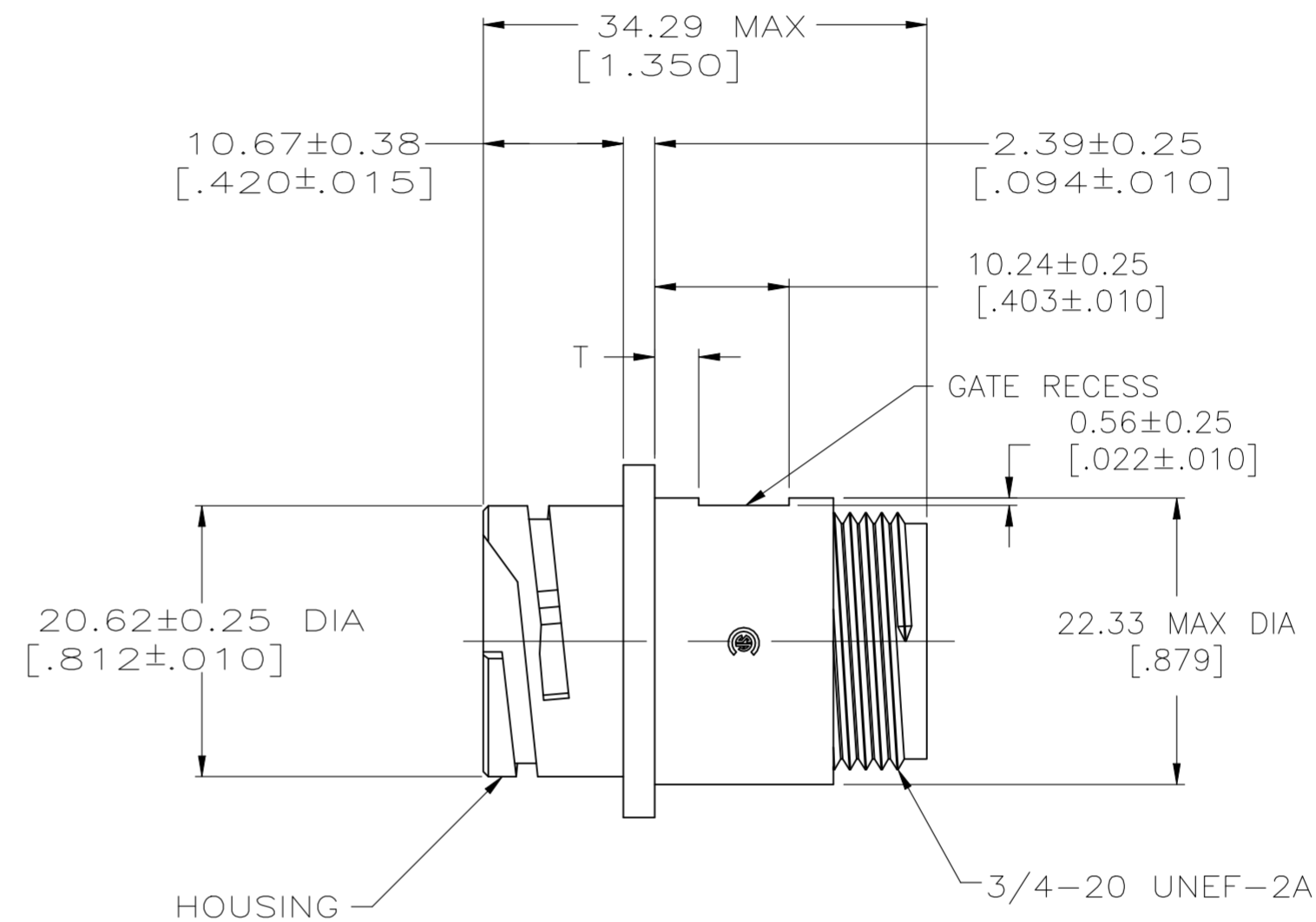
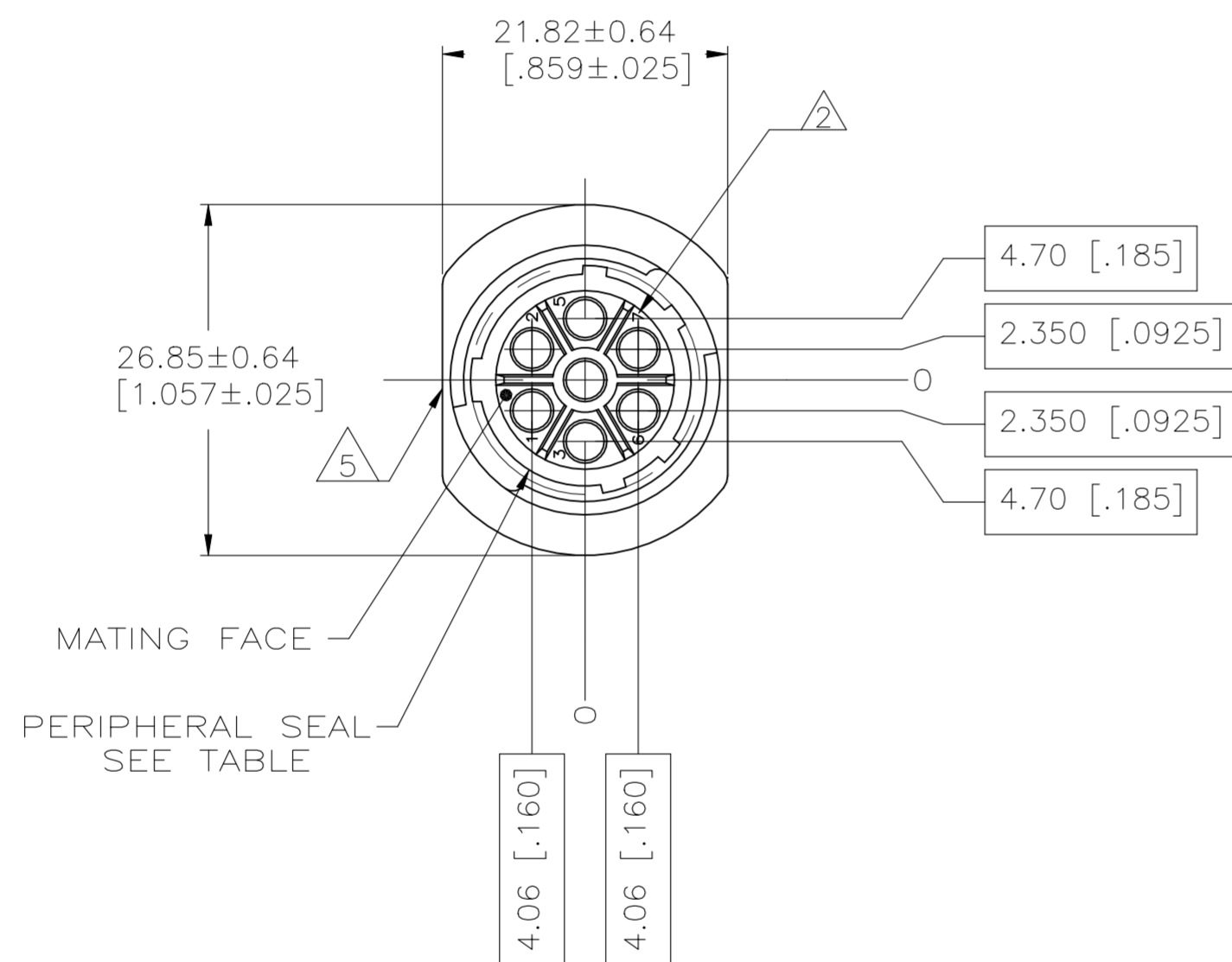
RECEPTACLE HOUSING, STANDARD SEX, 13-7, CPC

SIZE A2 CAGE CODE 00779 DRAWING NO C=211401 RESTRICTED TO -

CUSTOMER DRAWING SCALE 2:1 SHEET 1 of 2 REV L

THIS DRAWING IS UNPUBLISHED. RELEASED FOR PUBLICATION  
 © COPYRIGHT - By - ALL RIGHTS RESERVED.

REVISIONS				
P	LTR	DESCRIPTION	DATE	APVD
-	-	SEE SHEET 1	-	-



1 HOUSING: THERMOPLASTIC, BLACK.  
 PERIPHERAL SEAL: ELASTOMER, BLACK.  
 THREADED INSERTS: BRASS.

2 CAVITY IDENTIFICATION ON FRONT AND REAR FACE.

3. WILL ACCEPT SEVEN (7) MULTIMATE PIN CONTACTS.

4. .005 MAX FLASH PERMITTED IN THE AREA OF DIMENSION T, .020 MAX FLASH PERMITTED ON MATING FACE SIDE AND .025 MAX FLASH PERMITTED ON REAR FACE SIDE.

6 TE LOGO AND PART NUMBER LOCATED ON ANY FLANGE EDGE

1.83±0.25 [.072±.010]	NO	2.54 [.100]	211401-7
T	PERIPHERAL SEAL	MAX WIRE INSULATION DIA	PART NUMBER

THIS DRAWING IS A CONTROLLED DOCUMENT.		DWN D.HARDY 08-01-94	<b>TE</b> TE Connectivity	
DIMENSIONS: mm [INCHES]		CHK R.STONE 08-10-94		
TOLERANCES UNLESS OTHERWISE SPECIFIED:		APVD -	NAME	
0 PLC ± -	1 PLC ± -	PRODUCT SPEC -	RECEPTACLE HOUSING, STANDARD SEX, 13-7, CPC	
2 PLC ± 0.13 [.005]	3 PLC ± -	APPLICATION SPEC -	SIZE A2	CAGE CODE 00779
4 PLC ± -	ANGLES ± -	WEIGHT -	DRAWING NO C=211401	RESTRICTED TO -
MATERIAL	FINISH	CUSTOMER DRAWING	SCALE 2:1	SHEET 2 OF 2

单击下面可查看定价，库存，交付和生命周期等信息

[>>TE Connectivity\(泰科\)](#)