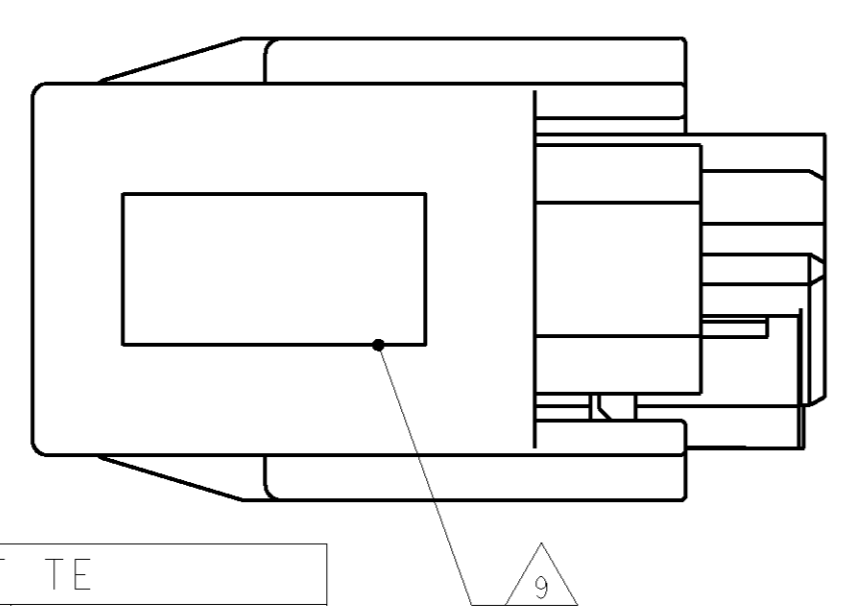
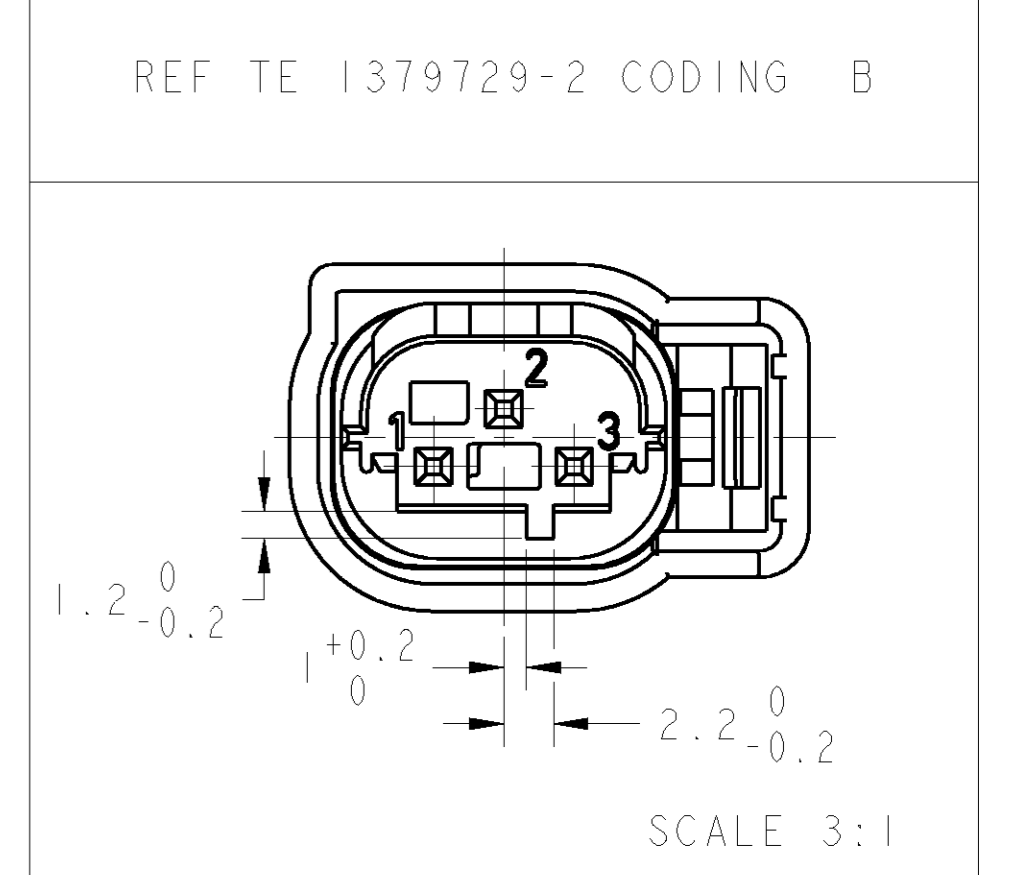
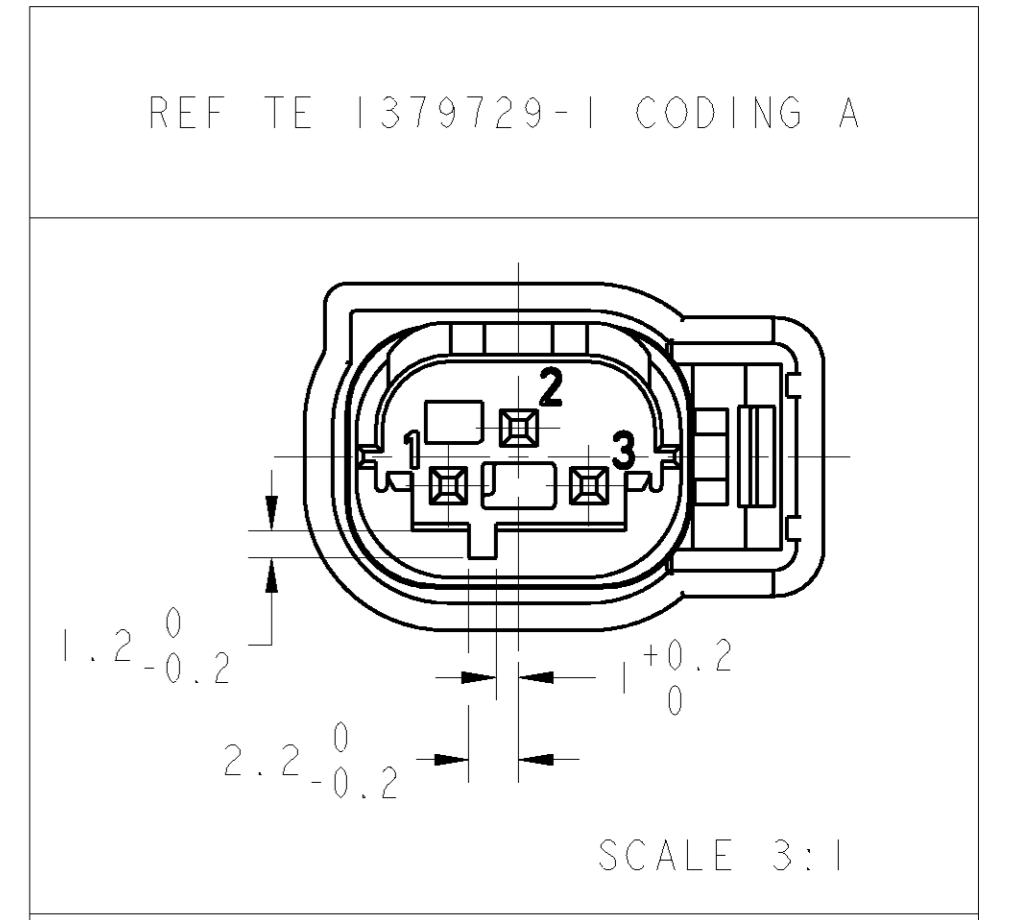
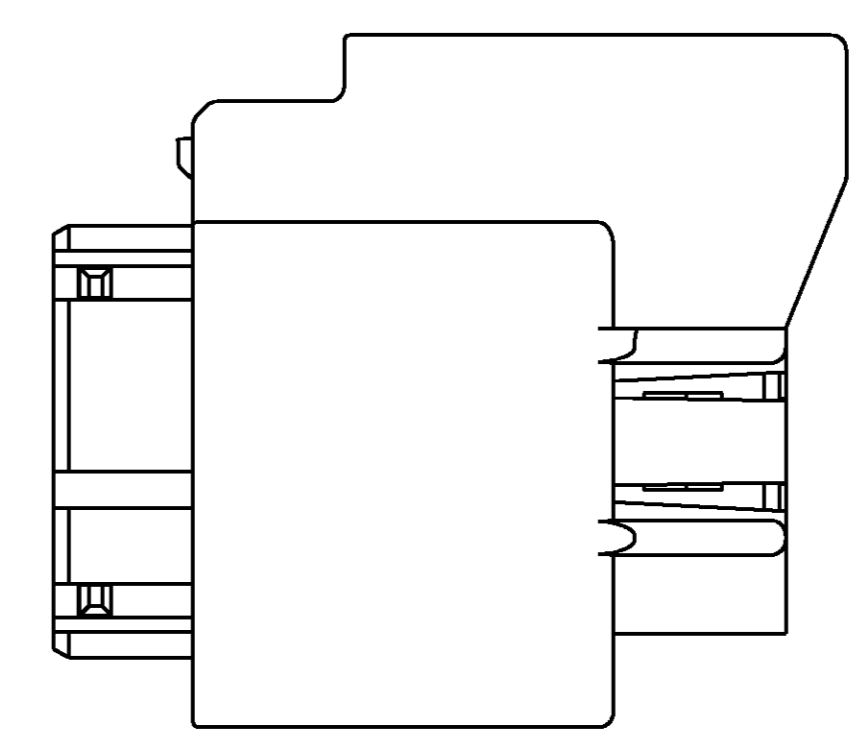
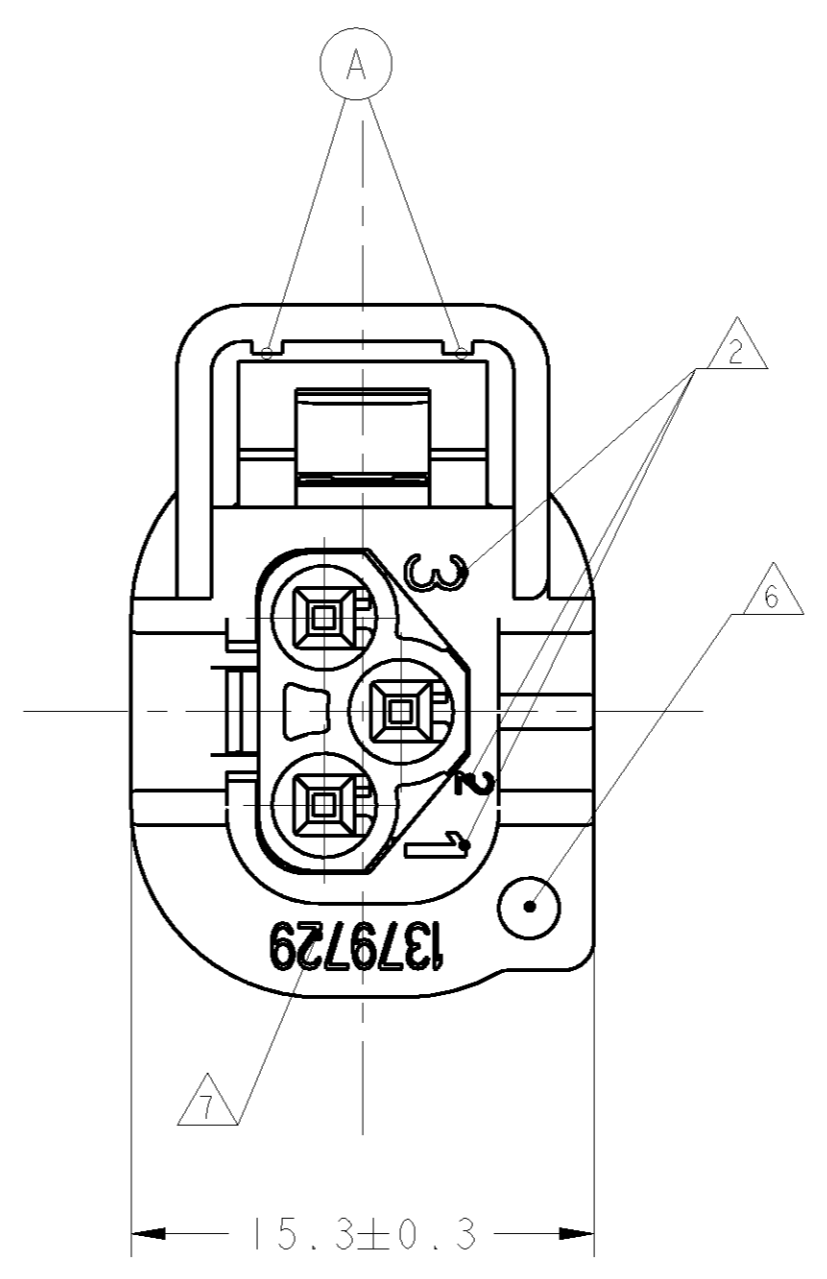
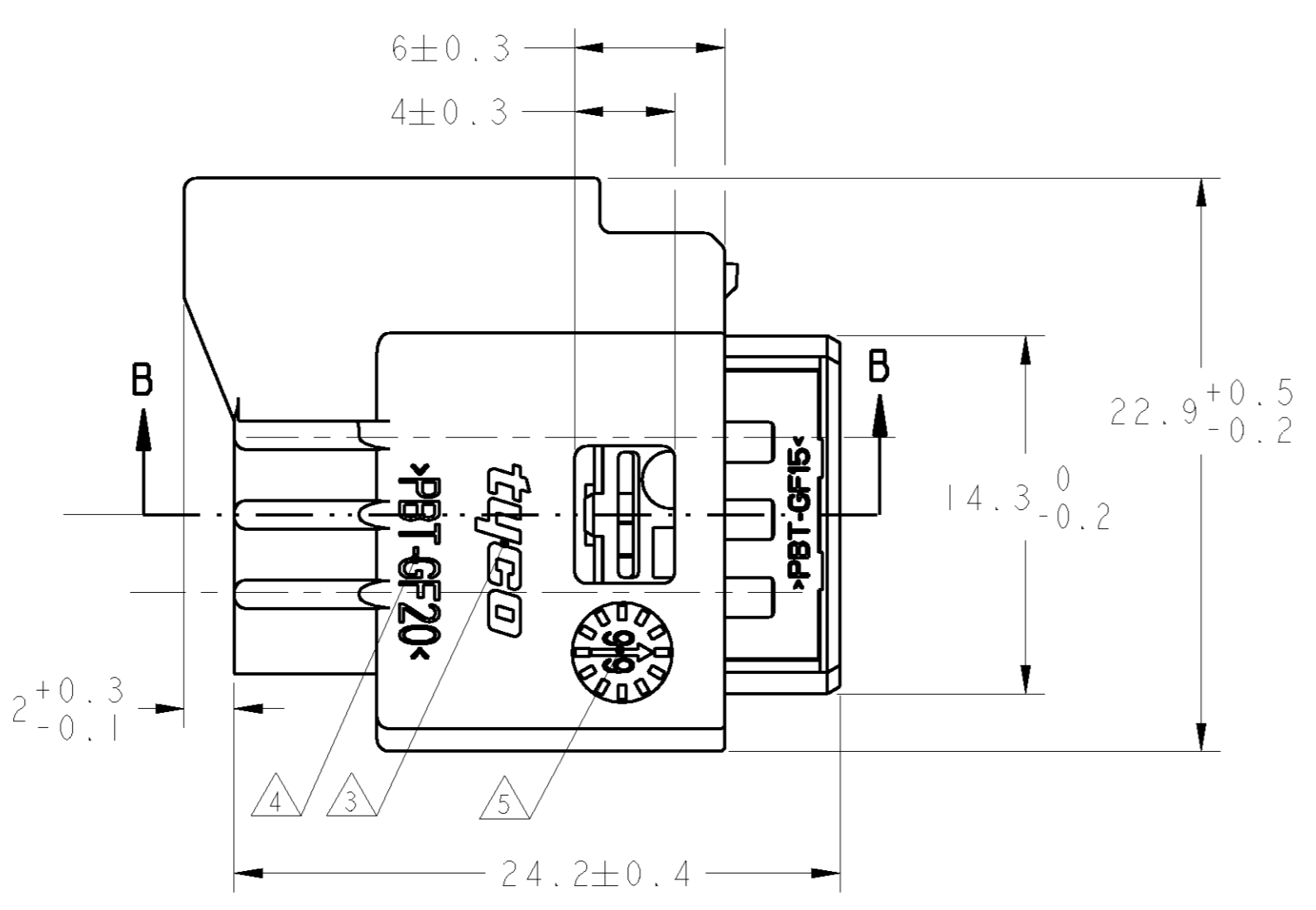
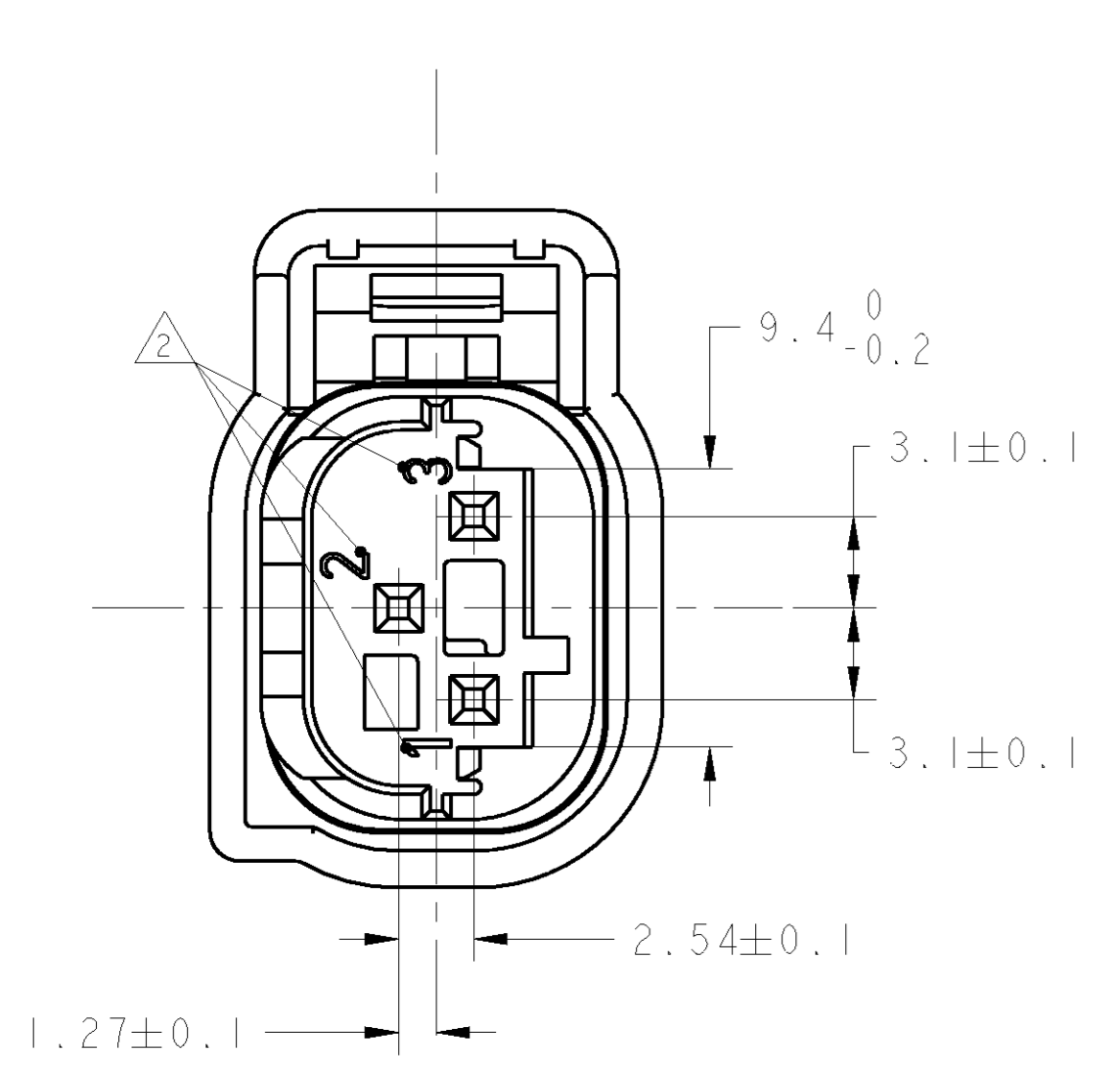
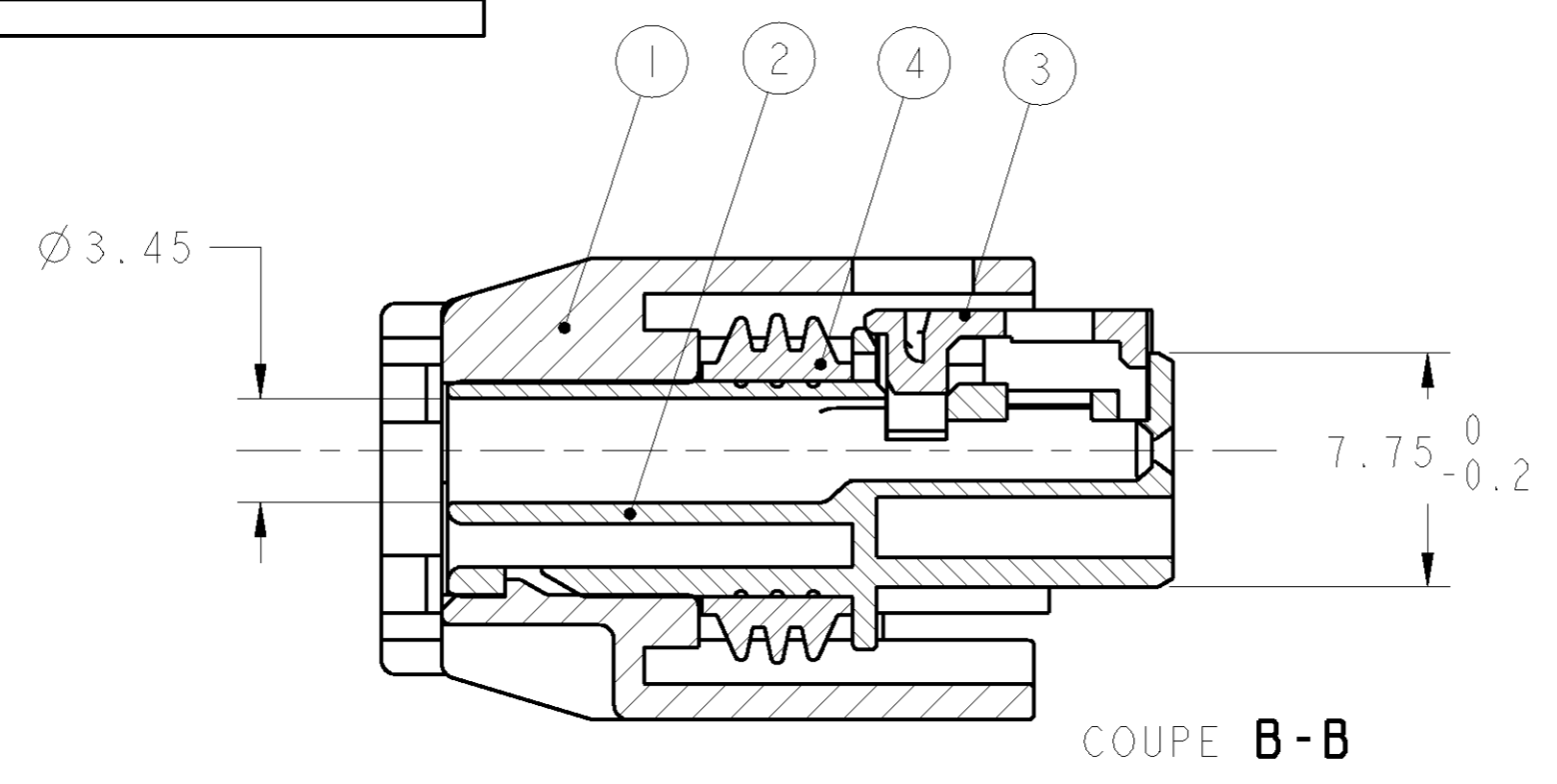
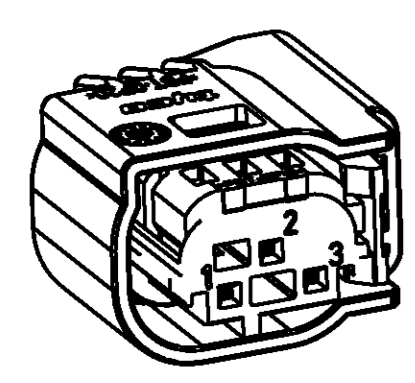


LOC	DIST	REV	DESCRIPTION	DATE	DWN	APPR
F	00	B	0.2 sqmm wire suppressed for PN 962855-X	29OCT2007	MP	EC



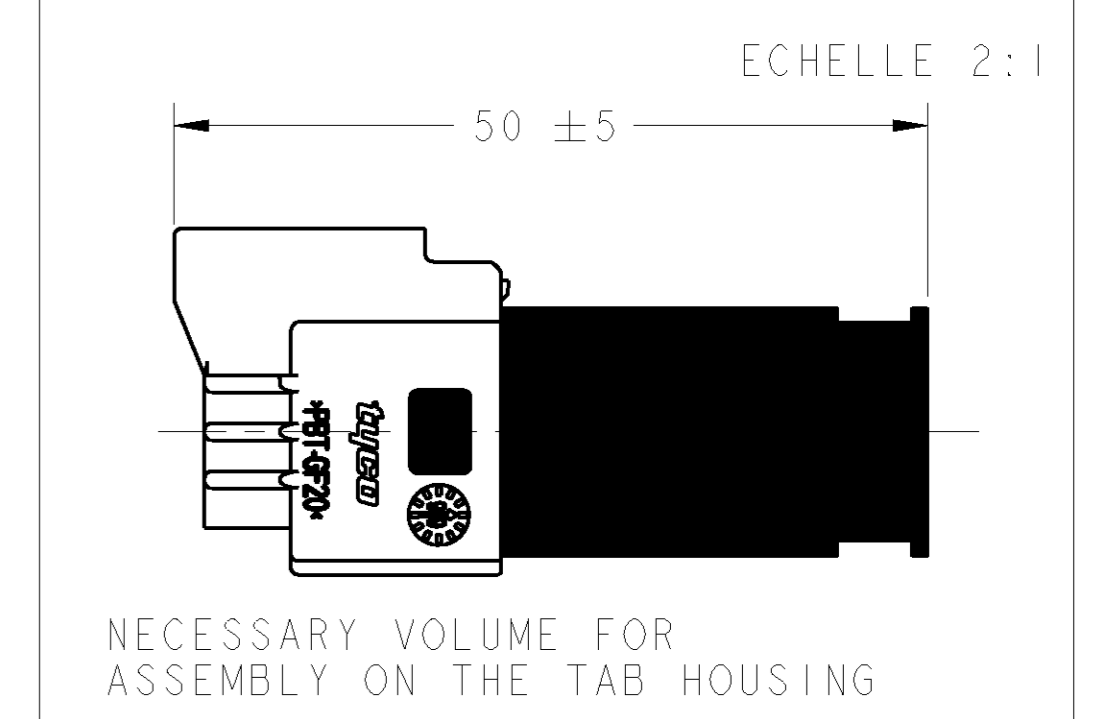
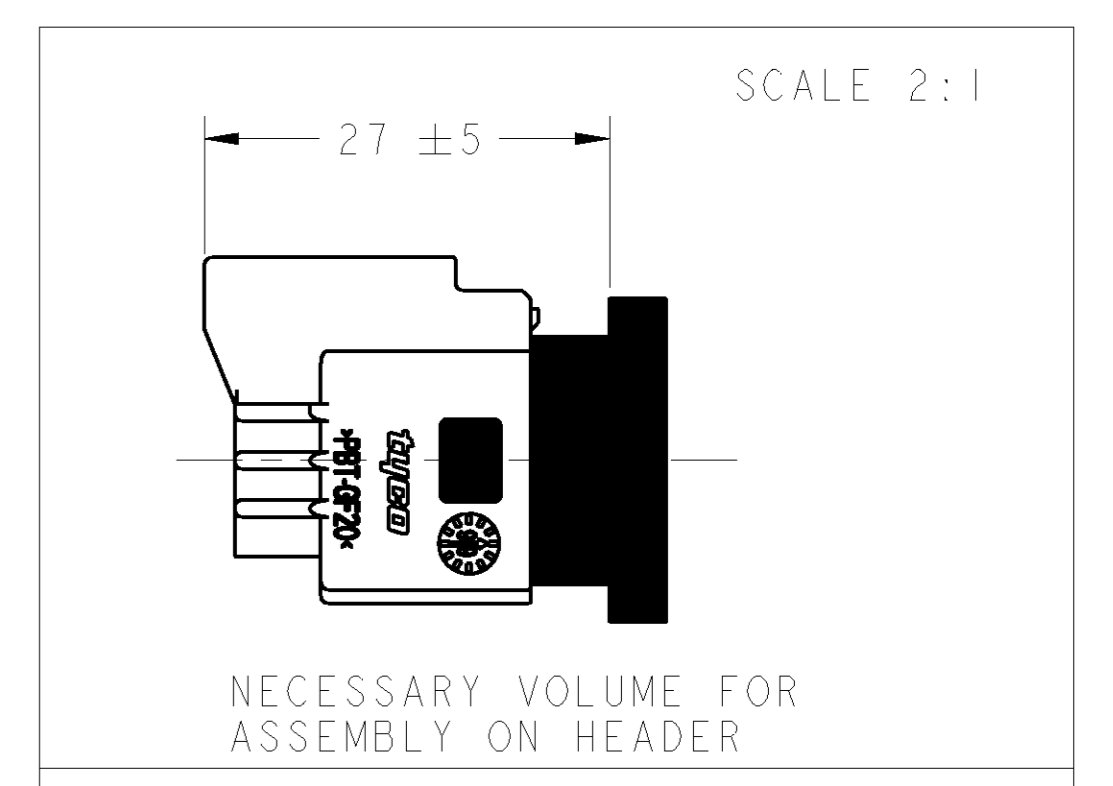
- NOTES :
- 1 - 1379729-1 AS SHOWN - CODING A
  - 2 CAVITY MARKING
  - 3 TE STAMP
  - 4 MATERIAL MARKING
  - 5 DATE CODE
  - 6 MOLD CAVITY MARKING
  - 7 P/N TE
  - 8 - INSTRUCTIONS SHEET : 411-15670
  - 9 POSSIBLE AERA FOR ASSEMBLY DATE CODE
  - 10 - PART USED WITH : SEE TABLE

REP	DESIGNATION	MATERIAL	REF TE	
			1379729-1 CODING A	1379729-2 CODING B
1	COVER	PBT FV	BLACK	BLACK
2	SOCKET HOUSING	PBT FV	BLACK	GRAY
3	LOCKING DEVICE	PBT FV	GREEN	GREEN
4	INTERFACE SEAL	SILICONE	ORANGE	ORANGE



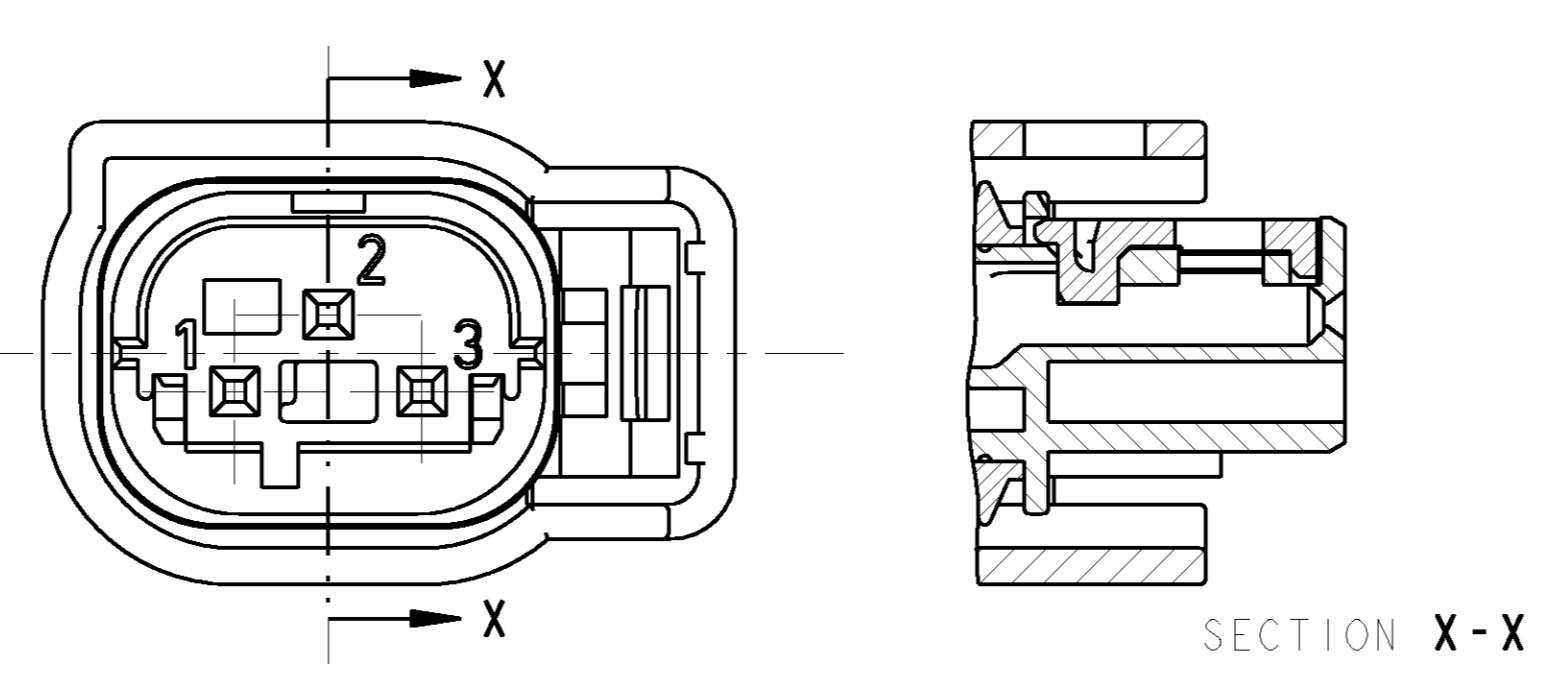
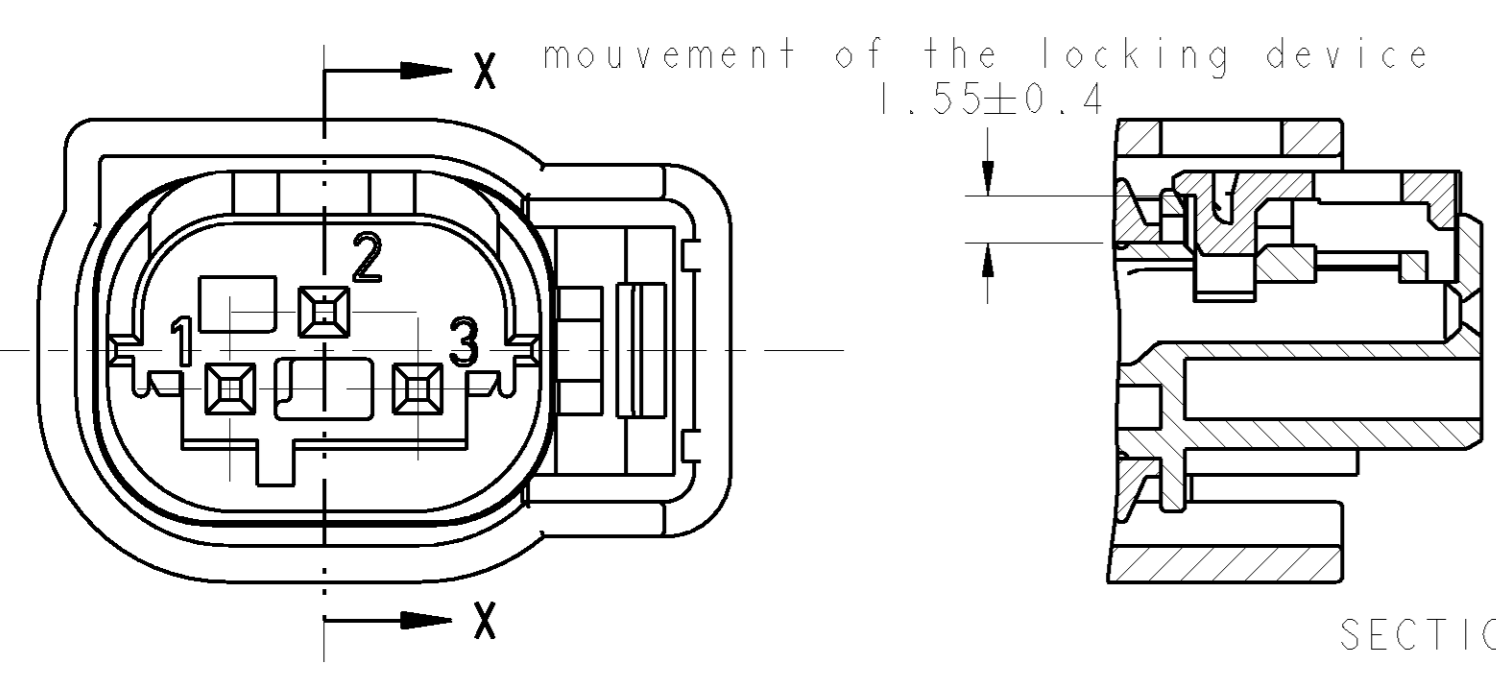
ECHELLE 2:1

COMPONANT	REF TE
MQS SINGLE WIRE SEAL	967067-X
MQS CAVITY PLUG FOR CAVITY DIA 3.45mm	967056-X
MQS SOCKET CONTACT SINGLE WIRE SEALING FOR 0.35 TO 0.5 mm <sup>2</sup>	962885-X
MQS SOCKET CONTACT SINGLE WIRE SEALING FOR 0.5 TO 0.75 mm <sup>2</sup>	965906-X



POSITION OF DELIVERY  
locking device in position pre-locked

POSITION OF ASSEMBLY  
locking device locked



<small>THIS DRAWING IS UNPUBLISHED. RELEASED FOR PUBLICATION UNDER A DIFFERENT REFERENCE. COPYRIGHT 2006 BY TYCO ELECTRONICS CORPORATION. ALL RIGHTS RESERVED. TID-100-10015-REV00</small>		06 JAN 2006 M. POLLEONTE 16 JAN 2006 X. ROULLARD		Tyco Electronics France SAS 95300 Pontoise, France	
DIMENSIONS: mm TOLERANCES UNLESS OTHERWISE SPECIFIED: DECIMALES: 0.10 0.25 0.50 1.00 1.50 2.00 3.00 4.00 5.00 6.00 8.00 10.00 15.00 20.00 30.00 40.00 50.00 60.00 80.00 100.00 150.00 200.00 300.00 400.00 500.00 600.00 800.00 1000.00		PRODUCT SPEC: 108-15286 SPEC. APPLICATION: 108-15286 WEIGHT: 4g FINISH/FINITION:		NAME: MQS, SOCKET HOUSING SEALED 3 POS ASSY SIZE: 108-15286 CASE CODE: 1379729 DRAWING NO: 100779	
MATERIAL/MATIERE:		FINISH/FINITION:		CUSTOMER DRAWING /PLAN CLIENT:	
DATE: 06 JAN 2006		DATE: 16 JAN 2006		SHEET: 4 OF 1 FEUILLE: 1 DE 1	

单击下面可查看定价，库存，交付和生命周期等信息

[>>TE Connectivity\(泰科\)](#)