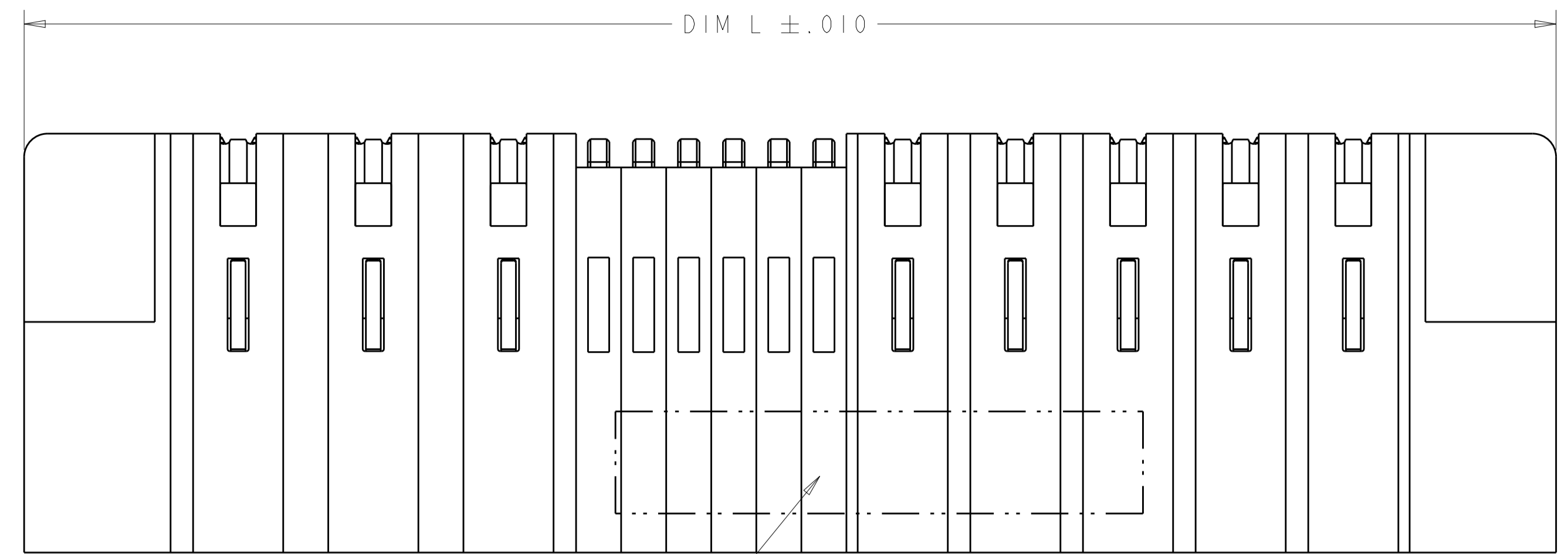
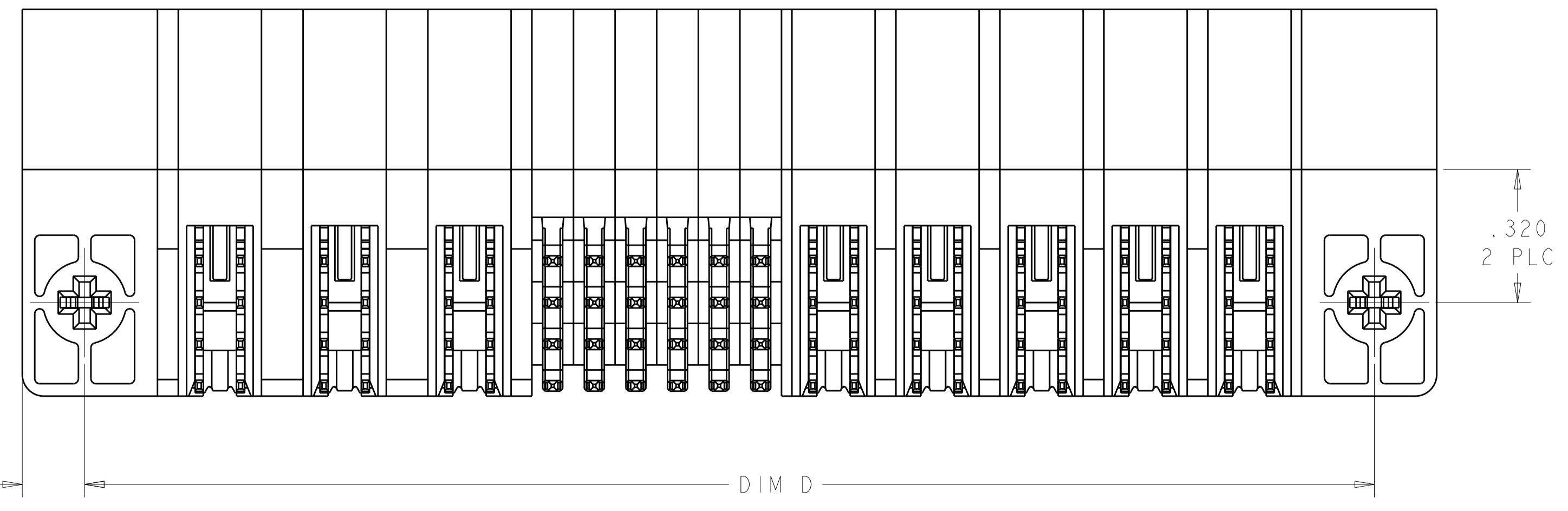
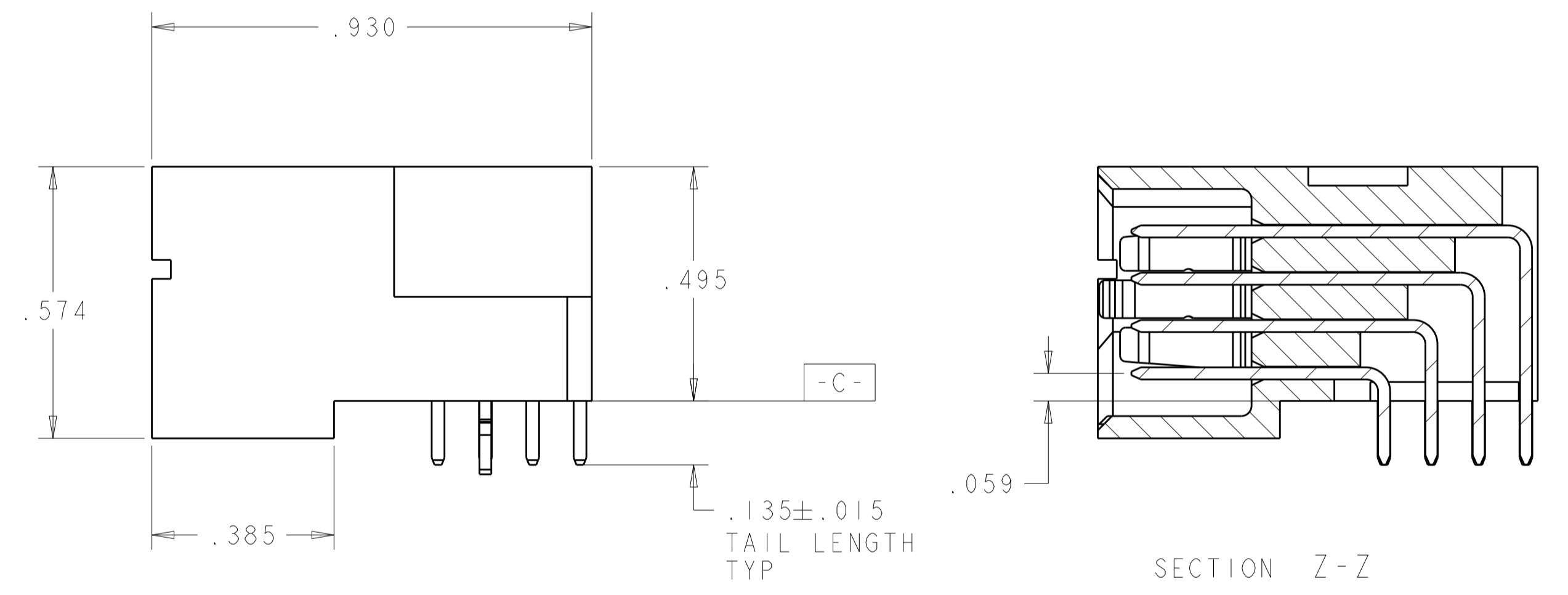
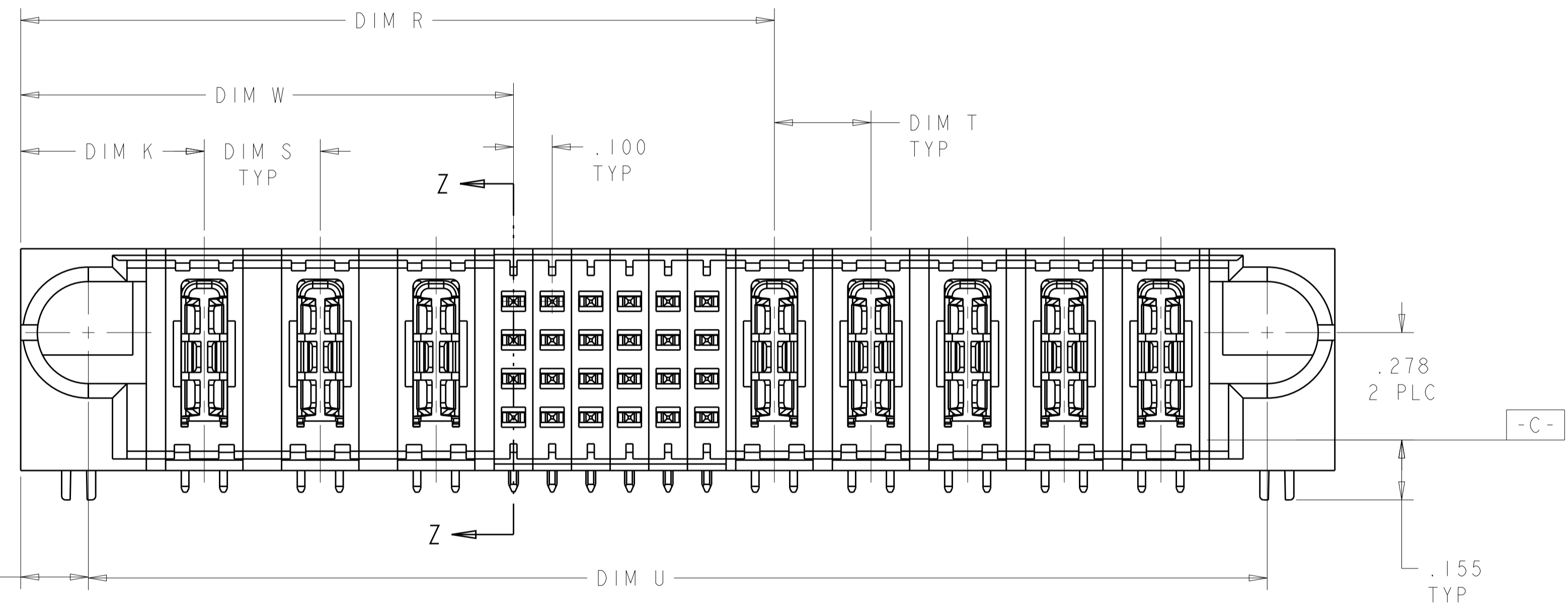


LOC	DIST	REVISIONS					
		P	LTN	DESCRIPTION	DATE	DMN	APVD
ES	00	B2		ADVISED	20MAR2013	ML	SZ



- ① "AMP", PART NUMBER, AND DATECODE TO BE MARKED IN AREA SHOWN. PARTS UNDER 2.00 LONG MAY BE MARKED ON BOTH SIDES.
- ② MATERIAL: HOUSING - GLASS FILLED HIGH TEMP THERMO PLASTIC, UL94 V-0
SIGNAL CONTACT - HIGH CONDUCTIVITY COPPER ALLOY
POWER CONTACT - HIGH CONDUCTIVITY COPPER ALLOY
- ③ CONTACT PLATING: NOBLE METAL PLATING ON CONTACT FUNCTIONAL AREA OF POWER AND SIGNAL CONTACTS
- ④ MECHANICAL CONNECTOR KEEP OUT ZONE.
- ⑤ DATUM AND BASIC DIMENSIONS ESTABLISHED BY CUSTOMER.
- ⑥ PCB - HOLE DIAMETERS ARE FINISHED HOLE SIZE.
- ⑦ PCB - .0453±.0010 DRILLED HOLES PLATED WITH .0003 MIN Sn OVER .001 TO .003 Cu PLATING TO ACHIEVE A .040 DIA HOLE.



1.900	.250	.250	1.550	.875	1.950	2.250	.450	2P + 24S + 2P	1892200-4
1.900	.250	.250	1.550	.875	1.950	2.250	.450	2P + 24S + 2P	1892200-3
1.900	.250	.250	1.550	.875	1.950	2.250	.450	2P + 24S + 2P	1892200-2
3.050	.300	.250	1.950	1.275	3.100	3.400	.475	3ACP + 24S + 5P	1892200-1
U	S	T	R	W	D	L	K	DESCRIPTION	PART NUMBER

THIS DRAWING IS A CONTROLLED DOCUMENT.

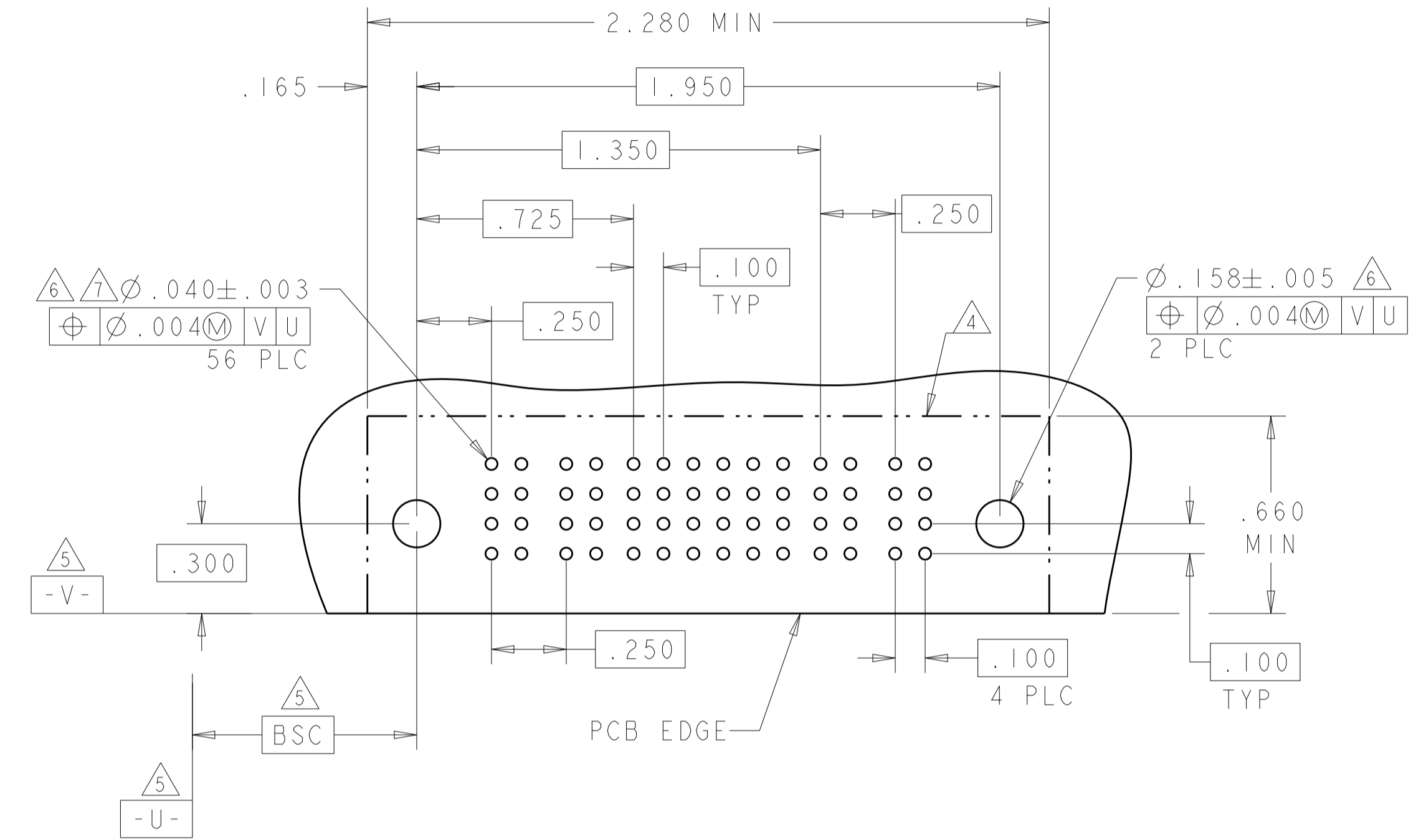
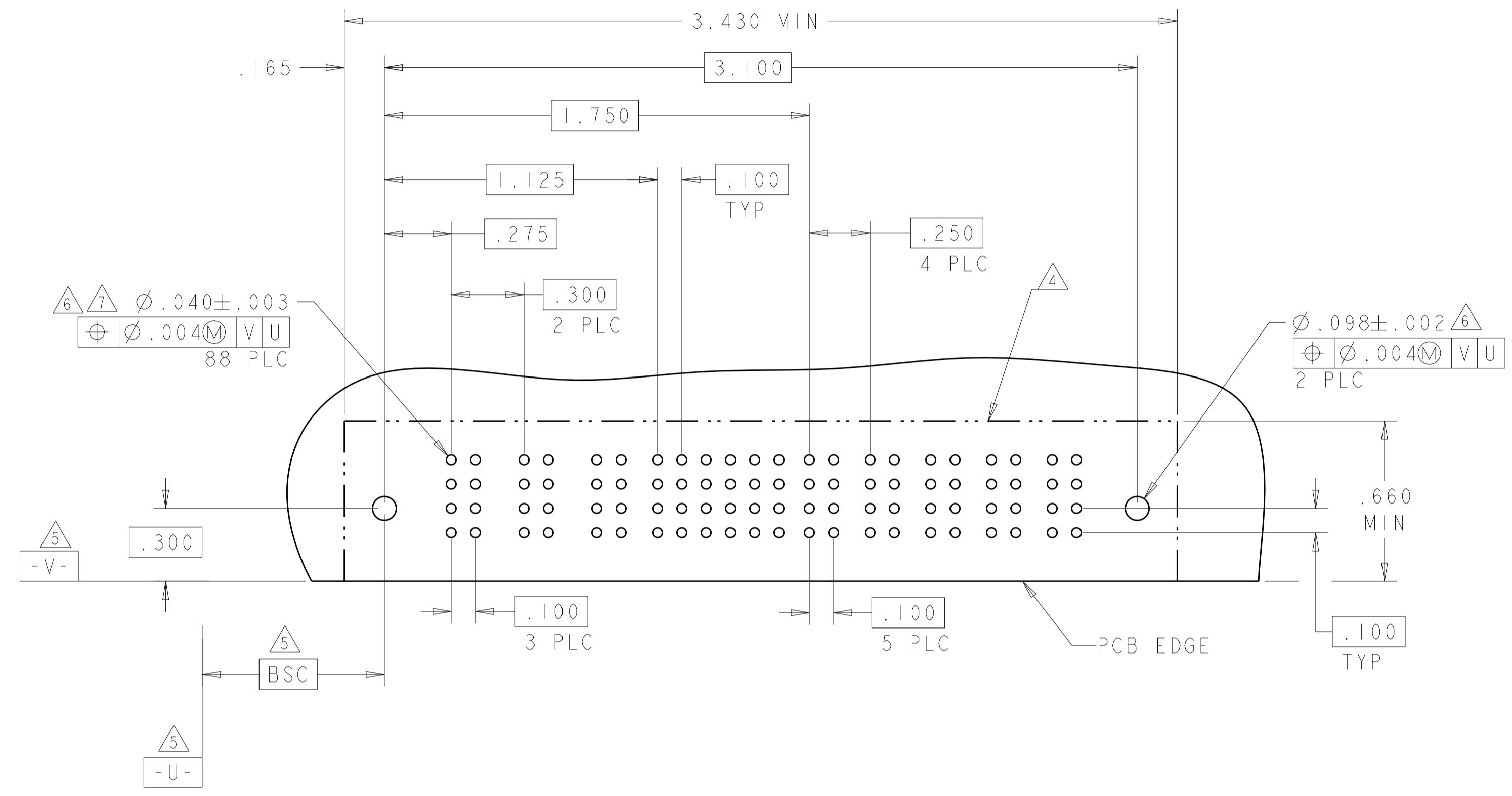
DIMENSIONS: INCHES	TOLERANCES UNLESS OTHERWISE SPECIFIED:	DMN: C. ZHOU 26MAY2007	CHK: S. ZHAO 26MAY2007
0 PLC ±.01	1 PLC ±.01	APVD: S. YAO	NAME: S. YAO
2 PLC ±.01	3 PLC ±.0050	PRODUCT SPEC: 108-1973	PRODUCT SPEC: 108-1973
4 PLC ±.0020	ANGLES ±.0020	APPLICATION SPEC: 114-13038	APPLICATION SPEC: 114-13038
MATERIAL: ②	FINISH: ③	SIZE: A1	CAGE CODE: 00779
CUSTOMER DRAWING		SCALE: 4:1	SHEET 1 OF 2

STE TE Connectivity
RIGHT ANGLE HEADER ASSEMBLY MULTI-BEAM XL (THREE BEAM)
RESTRICTED TO: 1892200

LOC	DIST	REVISIONS			
ES	00	REV	DATE	BY	APPV
		1	SEE SHEET 1		

PART NUMBER	ROWS	POWER			SIGNAL						POWER									
		P1	P2	P3	1	2	3	4	5	6	P4	P5	P6	P7	P8					
1892200-1	D C B A	TM	TM	TM	J	J	J	J	F	J	J	J	J	J	J	TM	TM	TM	TM	TM
					K	K	K	K	K	K	K	K	K	K	K					
					N	N	N	N	N	G	N	N	N	N	N					
					S	S	H	S	S	S	S	S	S	S						
3ACP + 24S + 5P																				

PART NUMBER	ROWS	POWER		SIGNAL						POWER					
		P1	P2	1	2	3	4	5	6	P3	P4				
1892200-2	D C B A	TM	TM	J	J	J	J	J	J	J	J	J	J	TM	TM
				K	K	K	K	K	K	K	K	K	K		
				N	N	N	N	N	N	N	N	N	N		
				S	S	H	S	S	S	S	S	S	S		
2P + 24S + 2P															



PART NUMBER	ROWS	POWER			SIGNAL						POWER				
		P1	P2	P3	1	2	3	4	5	6	P3	P4			
1892200-3	D C B A	TM	TM	TM	J	J	J	J	J	J	J	J	J	TM	TM
					K	K	K	K	K	K	K	K	K		
					N	N	N	N	N	N	N	N	N		
					S	S	H	S	S	S	S	S	S		
2P + 24S + 2P															

PART NUMBER	ROWS	POWER		SIGNAL						POWER					
		P1	P2	1	2	3	4	5	6	P3	P4				
1892200-4	D C B A	TM	TM	J	J	J	J	J	J	J	J	J	J	TM	TM
				K	K	K	K	K	K	K	K	K	K		
				N	N	N	N	N	N	N	N	N	N		
				S	S	S	S	S	S	S	S	S	S		
2P + 24S + 2P															

1892200-4 PCB LATOUT IS THE SAME AS 1892200-2

1892200-3 PCB LATOUT IS THE SAME AS 1892200-2

E	SIGNAL CONTACT,MLBF	D
F	SIGNAL CONTACT,MLBF	C
G	SIGNAL CONTACT,MLBF	B
H	SIGNAL CONTACT,MLBF	A
J	SIGNAL CONTACT,STD	D
K	SIGNAL CONTACT,STD	C
N	SIGNAL CONTACT,STD	B
S	SIGNAL CONTACT,STD	A
TM	POWER CONTACT (THREE BEAM)	-
CODE	MATING SEQUENCE	ROW
CONTACT		

THIS DRAWING IS A CONTROLLED DOCUMENT.

DIMENSIONS: INCHES	TOLERANCES UNLESS OTHERWISE SPECIFIED:	DWN: C. ZHOU 26MAY2007	CHK: S. ZHAO 26MAY2007
0 PLC ±.01	1 PLC ±.01	APVD: S. YAO	NAME: S. YAO
2 PLC ±.01	3 PLC ±.0050	PRODUCT SPEC: 108-1973	APPLICATION SPEC: 114-13038
4 PLC ±.0020	ANGLES ±.02	WEIGHT: -	RESTRICTED TO: -
MATERIAL: -	FINISH: -	CUSTOMER DRAWING	SCALE: 4:1

STE TE Connectivity

RIGHT ANGLE HEADER ASSEMBLY MULTI-BEAM XL (THREE BEAM)

SIZE: A100779 C=1892200

SHEET 2 OF 2 REV B2

单击下面可查看定价，库存，交付和生命周期等信息

[>>TE Connectivity\(泰科\)](#)