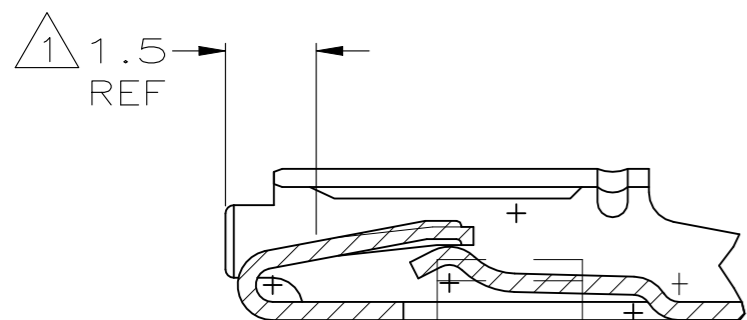
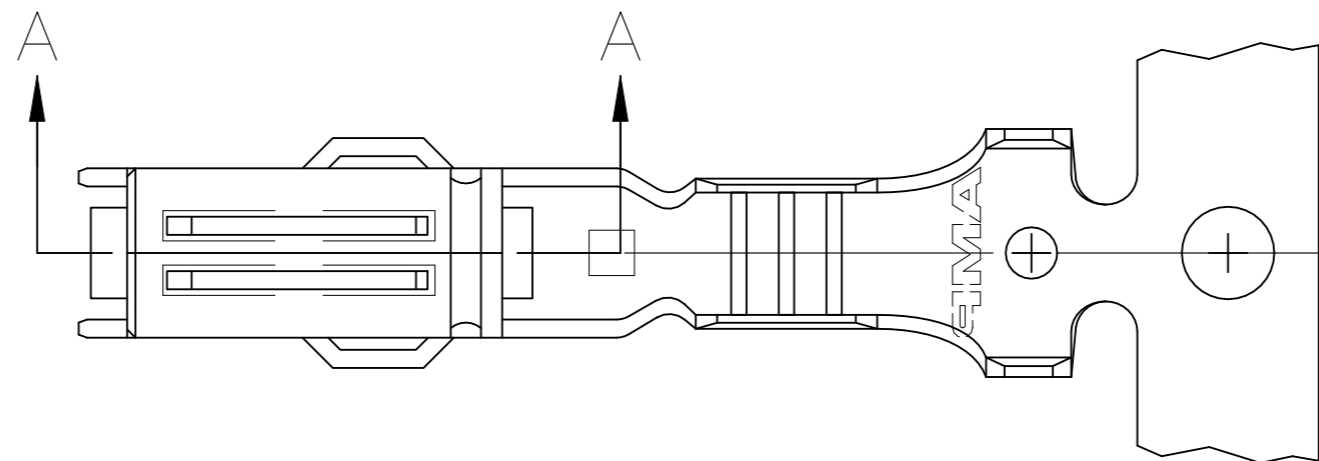
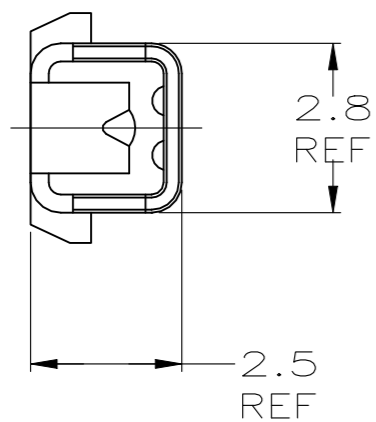
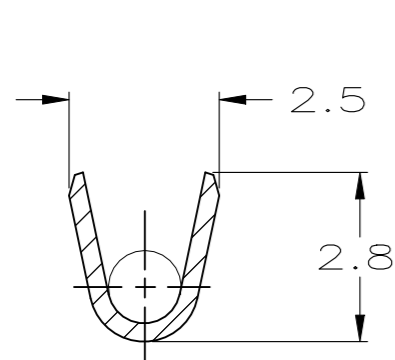
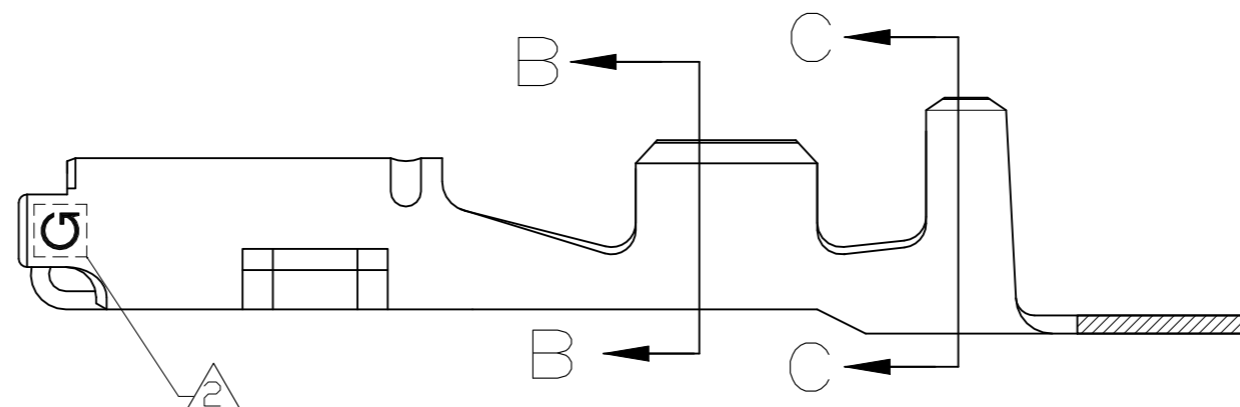


P	LTR	DESCRIPTION	DATE	DWN	APVD
	B	REVISED PER ECO-21-002133	15APR2021	SM	AH

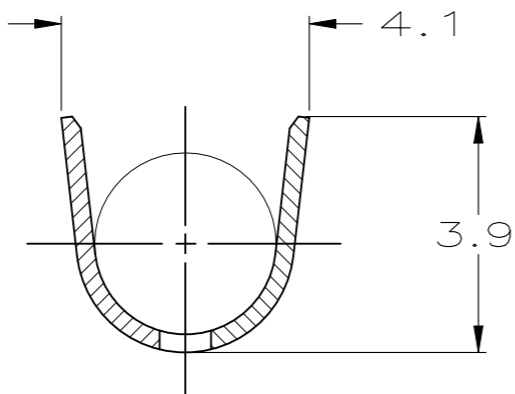
- ① NYE FLUOROETHER GREASE
- ② FOR GOLD PLATED PART ONLY - AT LEAST ONE "G" INDICATOR MUST BE VISIBLE IN THIS LOCATION ON EITHER SIDE INDICATING GOLD PLATED CONTACT



SECTION A-A
SCALE 8:1



SECTION B-B



SECTION C-C

TIN	1.2 - 2.1 ϕ	AVS 0.3 - 1.0mm ² (#22 - #18 AWG)	184373-2
SELECT GOLD	1.2 - 2.1 ϕ	AVS 0.3 - 1.0mm ² (#22 - #18 AWG)	184373-1
FINISH	INSULATION DIAMETER	WIRE RANGE	PART NUMBER

THIS DRAWING IS A CONTROLLED DOCUMENT.

DIMENSIONS: mm	TOLERANCES UNLESS OTHERWISE SPECIFIED:	DWN P. COLLINS 8-14-00	STE TE Connectivity
	0 PLC ± -	CHK M. HUDDLESTON 8-14-00	
	1 PLC ± 0.3	APVD M. HUDDLESTON 8-14-00	
MATERIAL PH BRZ (0.3 THK)	FINISH -	NAME CONTACT, RECEPTACLE, .070	
		PRODUCT SPEC -	SIZE A3
		APPLICATION SPEC -	CAGE CODE 00779
		WEIGHT -	DRAWING NO C-184373
		CUSTOMER DRAWING	RESTRICTED TO -
		SCALE 8:1	SHEET 1 OF 1
			REV B

单击下面可查看定价，库存，交付和生命周期等信息

[>>TE Connectivity\(泰科\)](#)