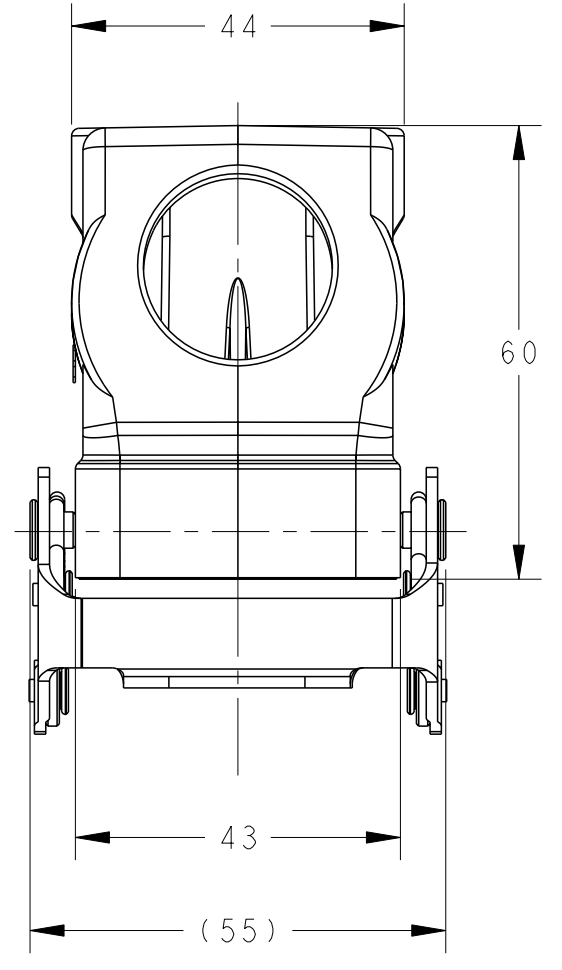
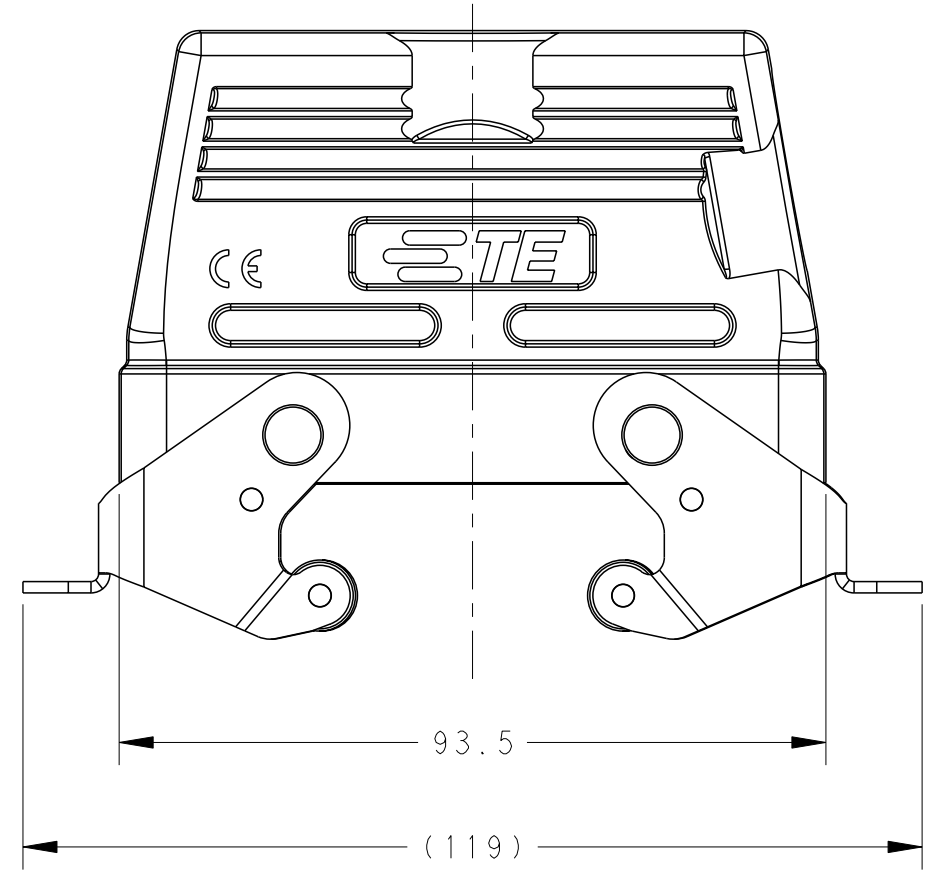


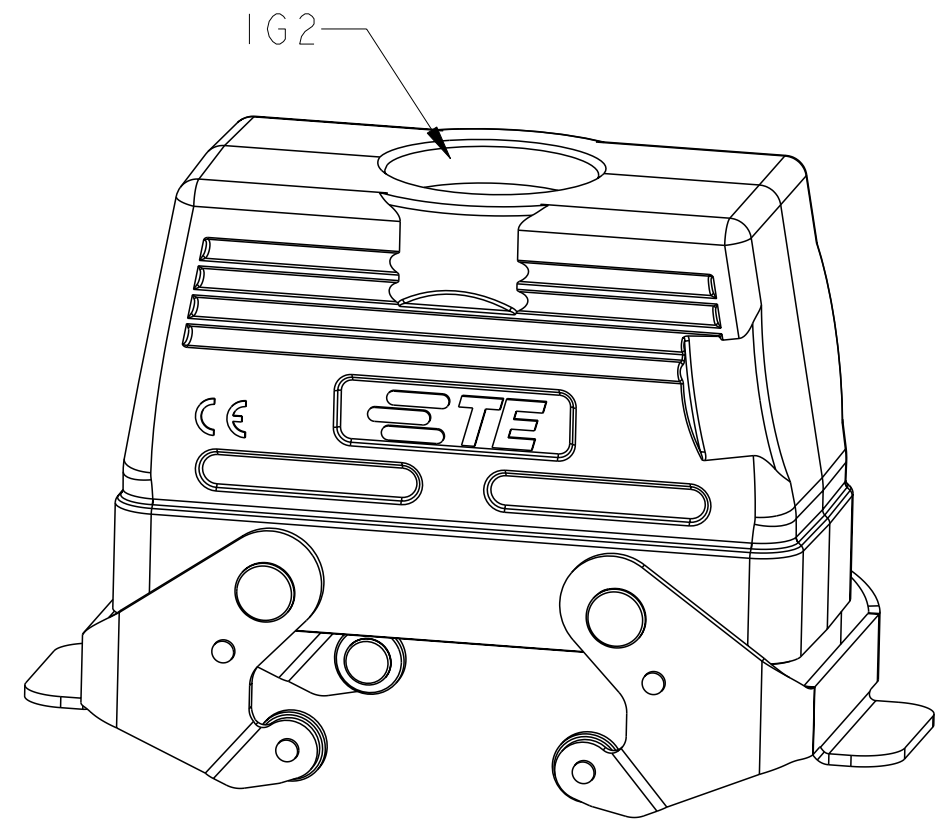
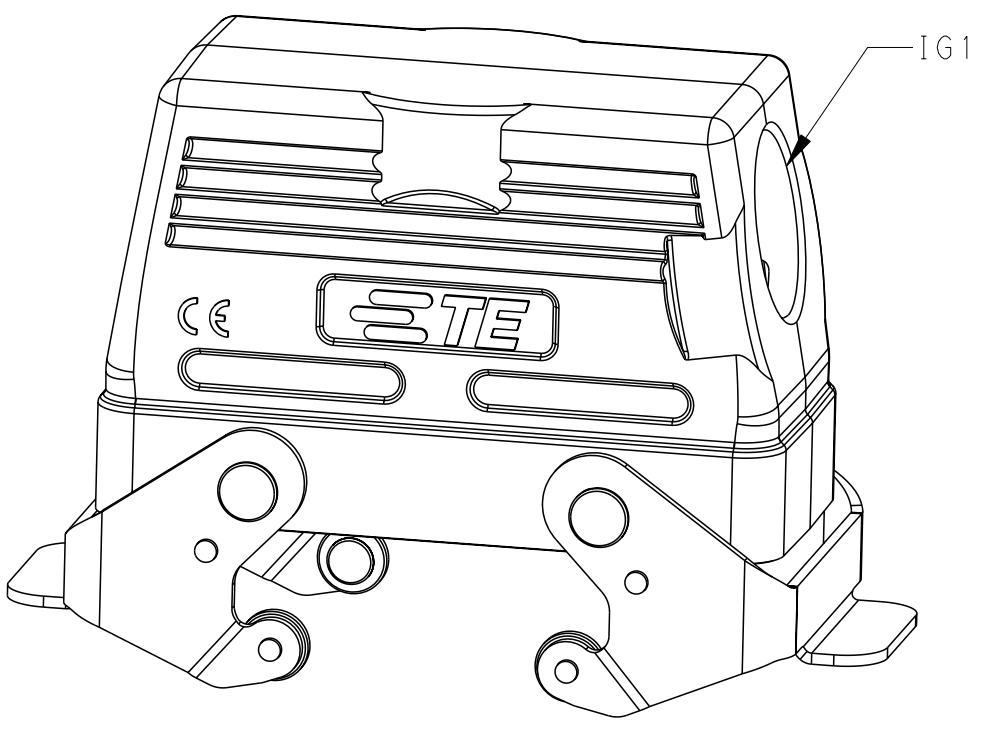
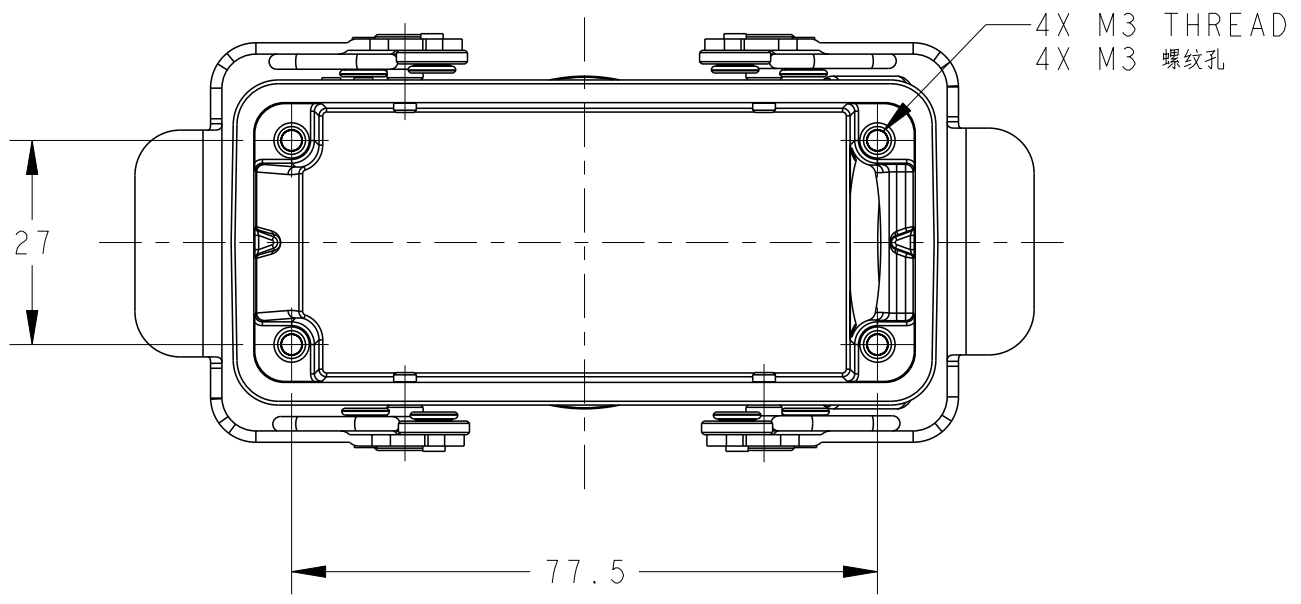
THIS DRAWING IS UNPUBLISHED. RELEASED FOR PUBLICATION 20
 © COPYRIGHT 20 BY - ALL RIGHTS RESERVED.

REVISIONS				
P	LTR	DESCRIPTION	DATE	APVD
A		INITIAL	26MAY2015	DW CW
B		ECR-20-008190	10AUG2020	WQR CW
B1		ECR-21-105138	29JUN2021	WQR CW



NOTES:
 1. TECHNICAL CHARACTERISTICS:
 HOOD MATERIAL: DIE CAST ALUMINIUM ALLOY
 SURFACE: POWDER COATED, GREY
 DEGREE OF PROTECTION: IP65 (MATED)

注释:
 1. 技术参数:
 上壳材料: 铝合金
 表面处理: 粉末涂层, 灰色
 防护等级: IP65(配合)



TYPE 2: LOW CONSTRUCTION, TOP ENTRY WITH STAINLESS STEEL LOCKING
 OTHER SPEC REFER TO TYPE 1

TYPE 1: LOW CONSTRUCTION, SIDE ENTRY WITH STAINLESS STEEL LOCKING

T1250163121-000	TYPE 1	H16B-TSBS-PG21	PG21	-
T1250163125-000		H16B-TSBS-M25	M25	-
T1250163132-000		H16B-TSBS-M32	M32	-
T1260163116-000	TYPE 2	H16B-TGBS-PG16	-	PG16
T1260163121-000		H16B-TGBS-PG21	-	PG21
T1260163125-000		H16B-TGBS-M25	-	M25
PART NUMBER	TYPE	DESCRIPTION	IG1	IG2

THIS DRAWING IS A CONTROLLED DOCUMENT.		DWN David Wang 26MAY2015	STE TE Connectivity	
		CHK Chris Wang 26MAY2015		
DIMENSIONS: mm		APVD Xiang Xu 26MAY2015	NAME H16B-TSBS/TGBS-M/PG	
TOLERANCES UNLESS OTHERWISE SPECIFIED:		PRODUCT SPEC 108-137013	SIZE CAGE CODE DRAWING NO RESTRICTED TO	
0 PLC ±		APPLICATION SPEC 114-137013	A200779 C-T12X01631XX000	
1 PLC ±		WEIGHT -	SCALE 1:1 SHEET 1 OF 1 REV B1	
2 PLC ±		Customer Drawing		
3 PLC ±				
4 PLC ±				
ANGLES ±				
FINISH -				

printed on 2 Jul 2021 11:09 (China Standard Time) from TE343646

单击下面可查看定价，库存，交付和生命周期等信息

[>>TE Connectivity\(泰科\)](#)