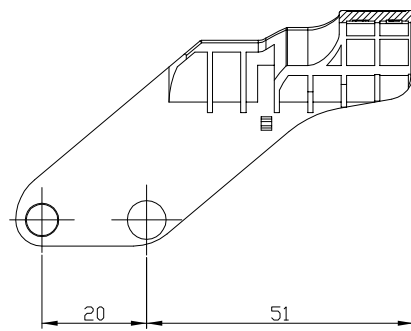
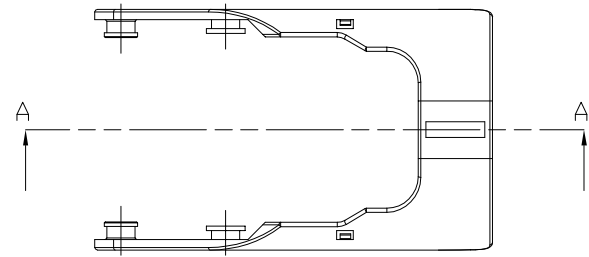


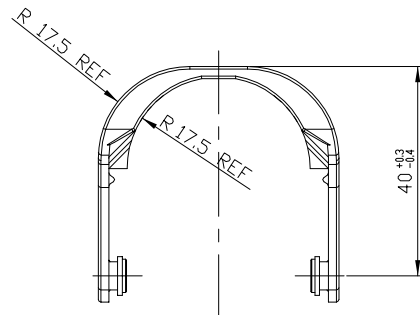
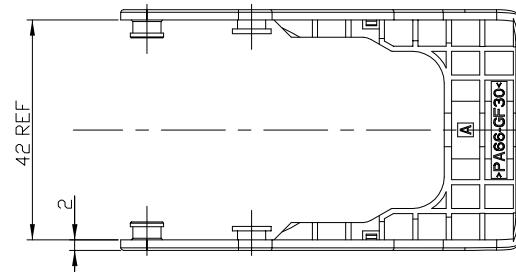
THIS DRAWING IS UNPUBLISHED. RELEASED FOR PUBLICATION 20
 © COPYRIGHT 20 BY - ALL RIGHTS RESERVED.

REVISIONS					
P	LTR	DESCRIPTION	DATE	DWN	APVD
	A	RELEASED	04SEP2006	YH	JK
	B	REVISED(ECR-15-008612)	11,DEC,15	JY	HG

① 1743445-2

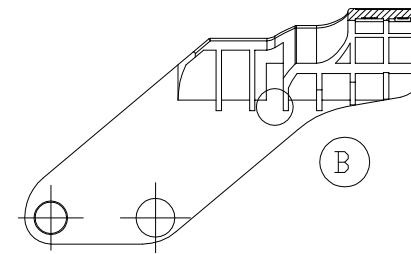
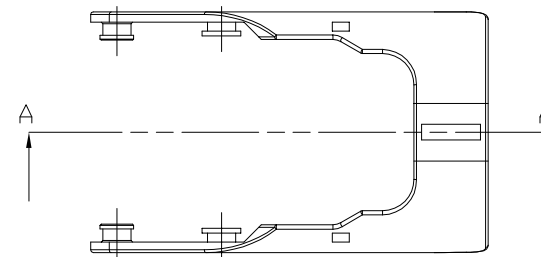


SECTION A-A

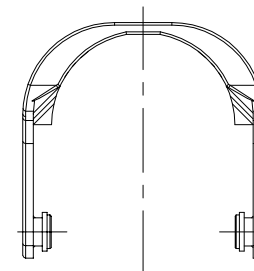
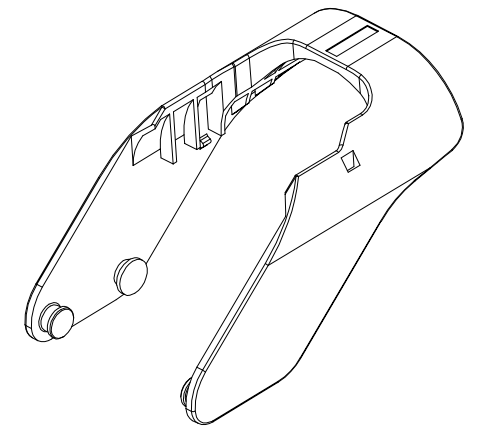
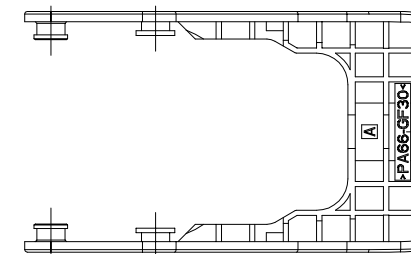


② 1-1743445-3

ⓑ



SECTION A-A



NOTE,

1. GENERAL TOLERANCE : ±0.4, ±3°
2. WARPAGE PERMITTED MAX. -7MM
3. MATING CONNR ASSY PART No: 1743237
4. APPLICATION TEST SPEC:MS210-06-C (EXCEPT 4.4)

ⓑ	2	GRAY	PA66-GF30	1-1743445-3
	1	BLACK	PA66-GF30	1743445-2
	NO	COLOR	MATERIAL	P/N

THIS DRAWING IS A CONTROLLED DOCUMENT.		DWN JY BAE		
DIMENSIONS: mm		CHK KT LIM		
TOLERANCES UNLESS OTHERWISE SPECIFIED:		APVD HG CHO	NAME LEVER HSG FOR SHIELD 60POS. (FOR HD,MG,UN)	
0 PLC ±		PRODUCT SPEC	SIZE A2	
1 PLC ±		APPLICATION SPEC	CAGE CODE 00779	
2 PLC ±		WEIGHT	DRAWING NO C=1743445	
3 PLC ±		CUSTOMER DRAWING	RESTRICTED TO HMC/KMC (KIC)	
4 PLC ±			SCALE 1:1	
ANGLES ±			SHEET 1 OF 1	
FINISH			REV B	
MATERIAL SEE TABLE				

单击下面可查看定价，库存，交付和生命周期等信息

[>>TE Connectivity\(泰科\)](#)