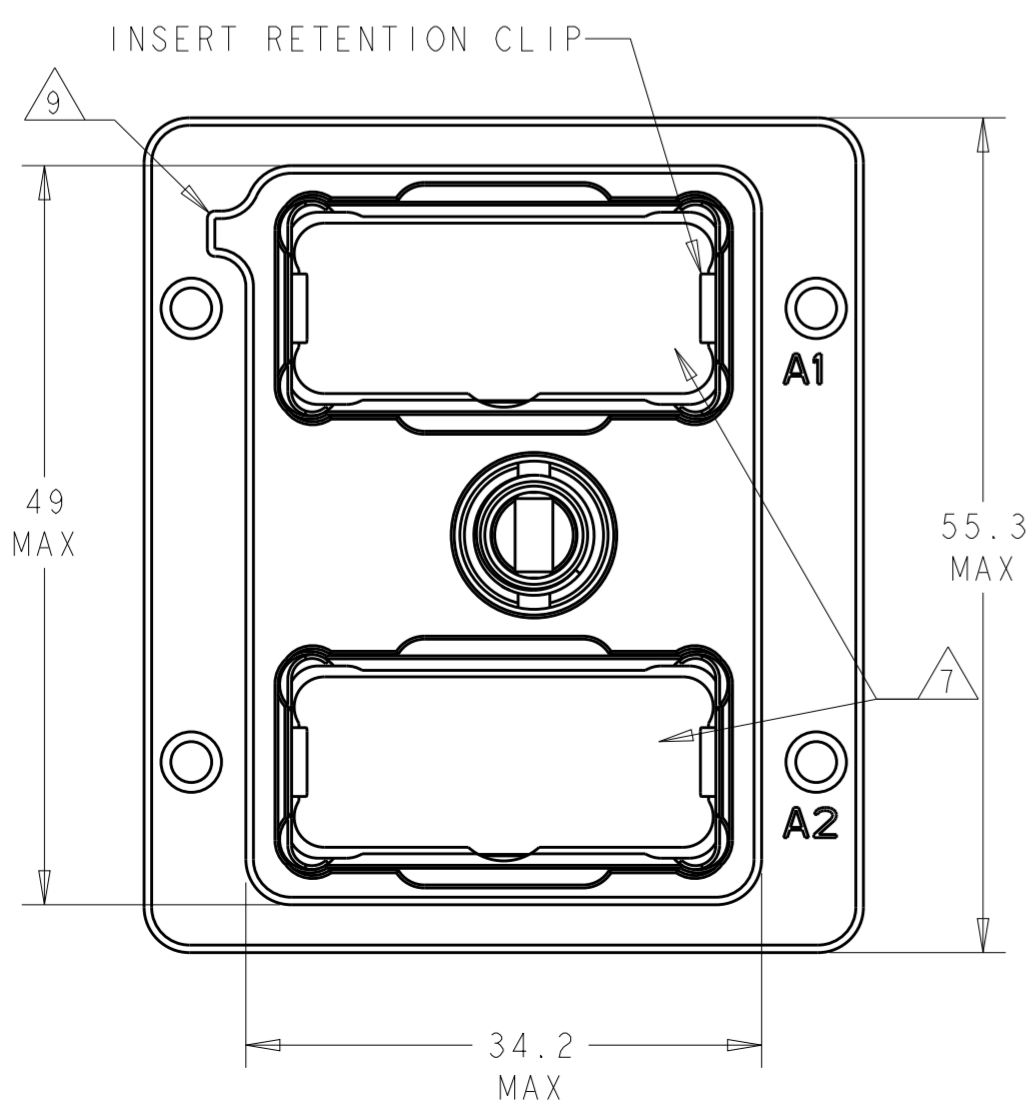
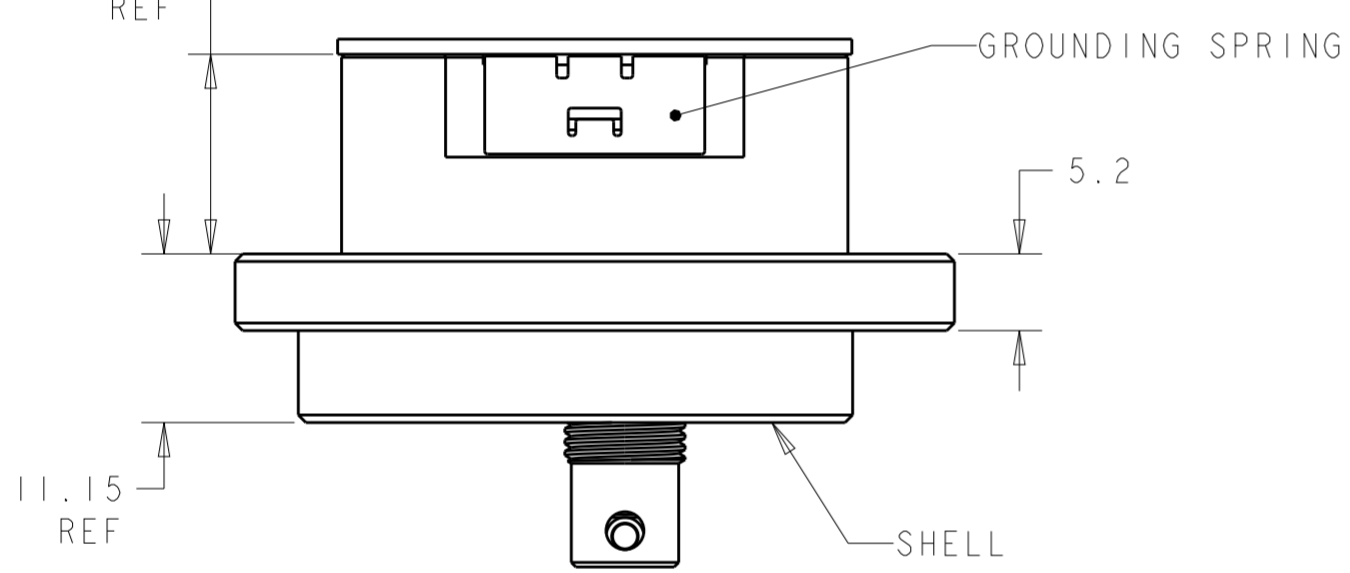
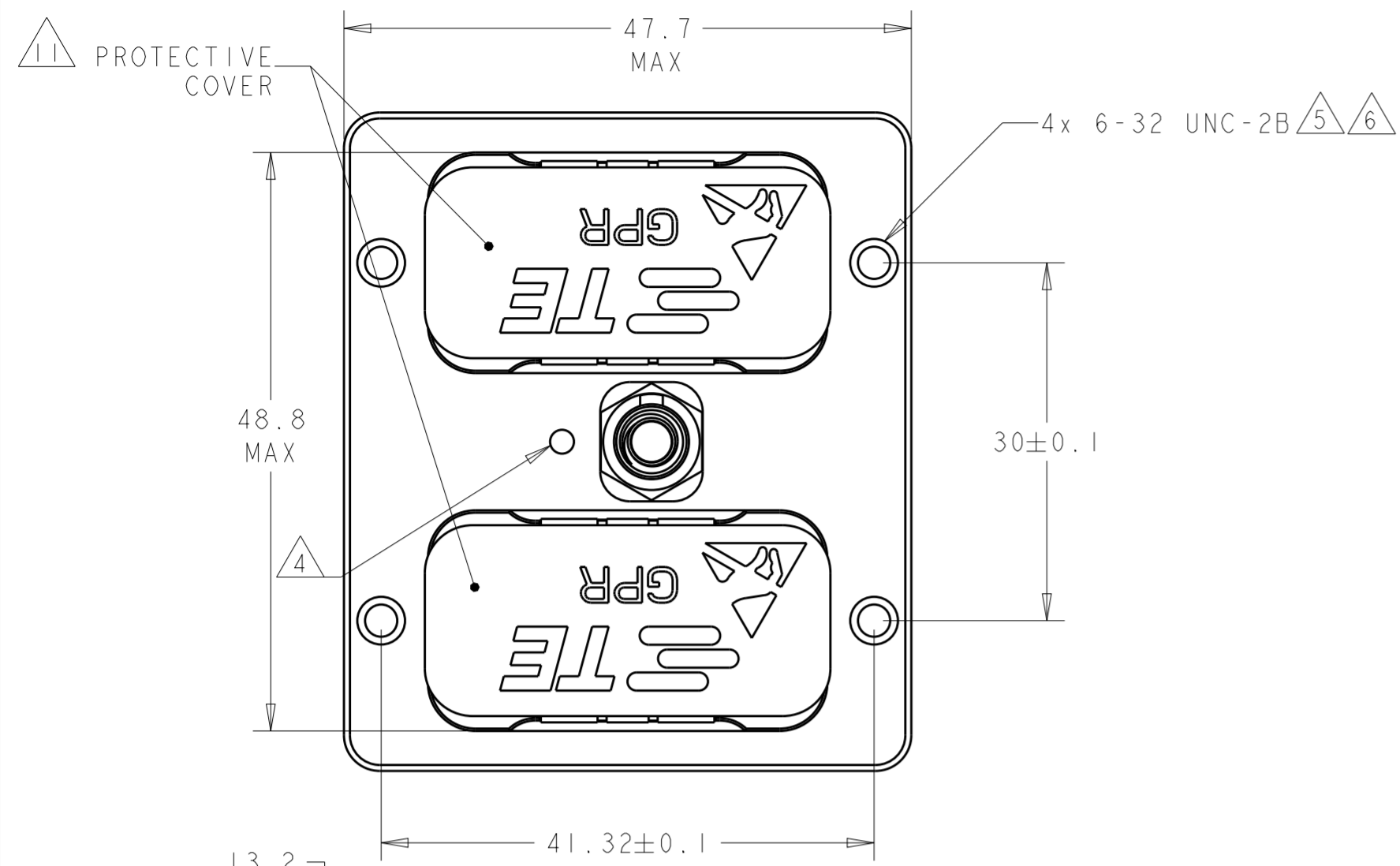


THIS DRAWING IS UNPUBLISHED. RELEASED FOR PUBLICATION
 © COPYRIGHT - BY - ALL RIGHTS RESERVED.

REVISIONS							
LOC	DIST	P	LTR	DESCRIPTION	DATE	DWN	APVD
-	-	G		REV PER ECO 13-013890	9-16-13	CT	KH



1 SHELL: ALUMINUM ALLOY 6061 T651
 INSERT RETENTION CLIP & GROUNDING SPRING: COPPER ALLOY PER ASTM B194
 JACKNUT & RETAINING NUT: STAINLESS STEEL PER AISI 316
 JACKNUT SPRING: STAINLESS STEEL PER AISI 302.
 PROTECTIVE COVER: ANTI-STATIC THERMOPLASTIC ELASTOMER PER ASTM D5593

2 SHELL: ELETROLESS NICKEL PER SAE AMS-C-26074, CLASS 1.
 GROUNDING SPRING: ELECTROLYTIC NICKEL PER SAE AMS-QQ-290

3 DATE CODE - YEAR & WEEK (YY WW).

4 INDEXING POINT FOR POLARIZATION.

5 6-32 SCREWS ARE REQUIRED FOR PANEL MOUNTING (NOT INCLUDED).
 SCREW HEAD DIAMETER: 6 MAX
 RECOMMENDED TORQUE 1.1 N-m [10 lb-in] MIN

6 6-32 THREADED HOLES ARE SELF-LOCKING, HAVING THE SPIRALLOCK® THREAD FORM.
 SPIRALLOCK® IS A REGISTERED TRADEMARK OF SPIRALLOCK CORPORATION.

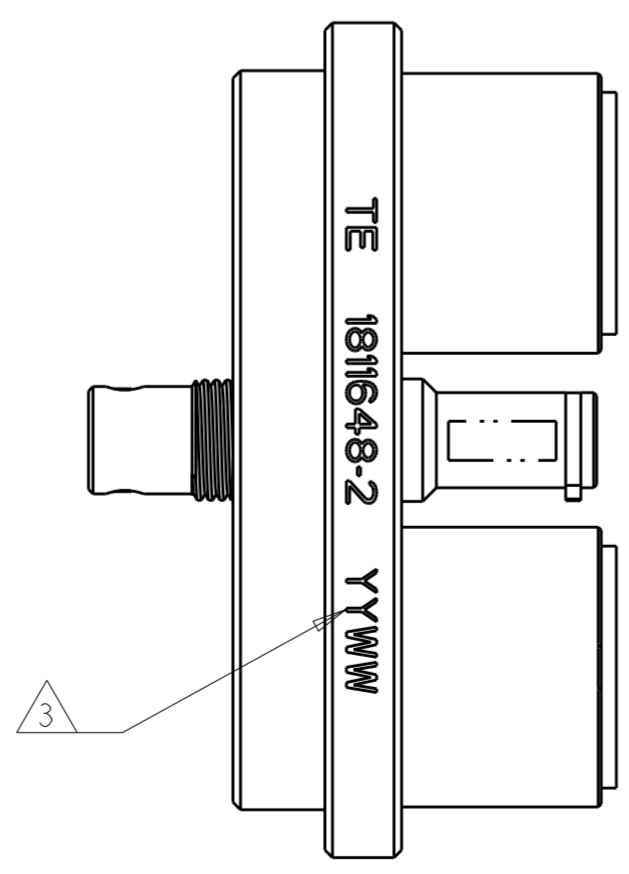
7 SHELL CAVITIES FOR GPRB SERIES INSERTS WITH KEYING CODE A.

8 THE JACKNUT & RETAINING NUT ARE PRE-ASSEMBLED TO THE SHELL. THESE ARE SHOWN UNASSEMBLED FOR CLARITY.

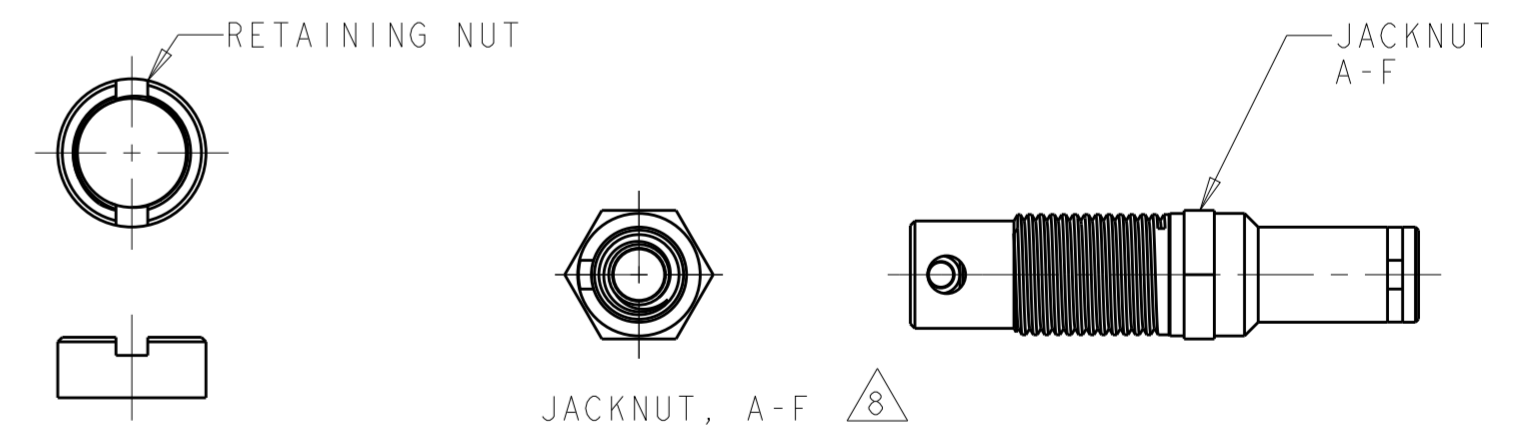
9 POLARIZATION FEATURE TO PREVENT FRONT PANEL MOUNTING.

10 PANEL THICKNESS: 5 MAX.

11 COVERS ARE NOT INCLUDED WITH 1811648-1;
 COVERS ARE INCLUDED WITH 1811648-2;
 COVERS MAY BE ORDERED SEPARATELY AS TYCO PART NUMBER 1877329-1.



P/N 1811648-2 SHOWN

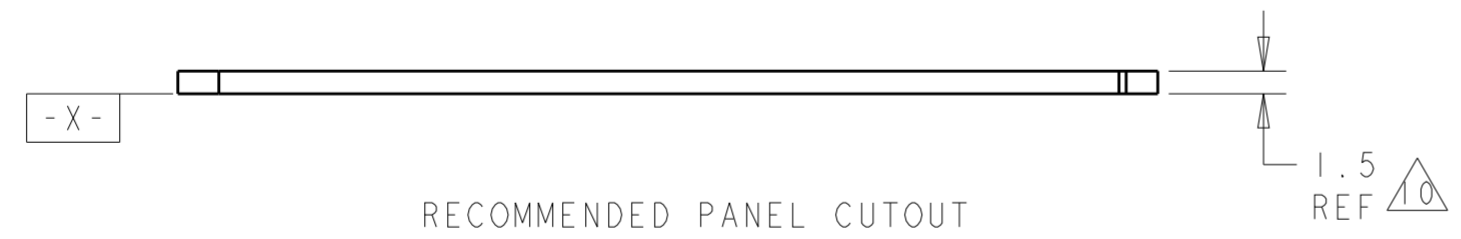
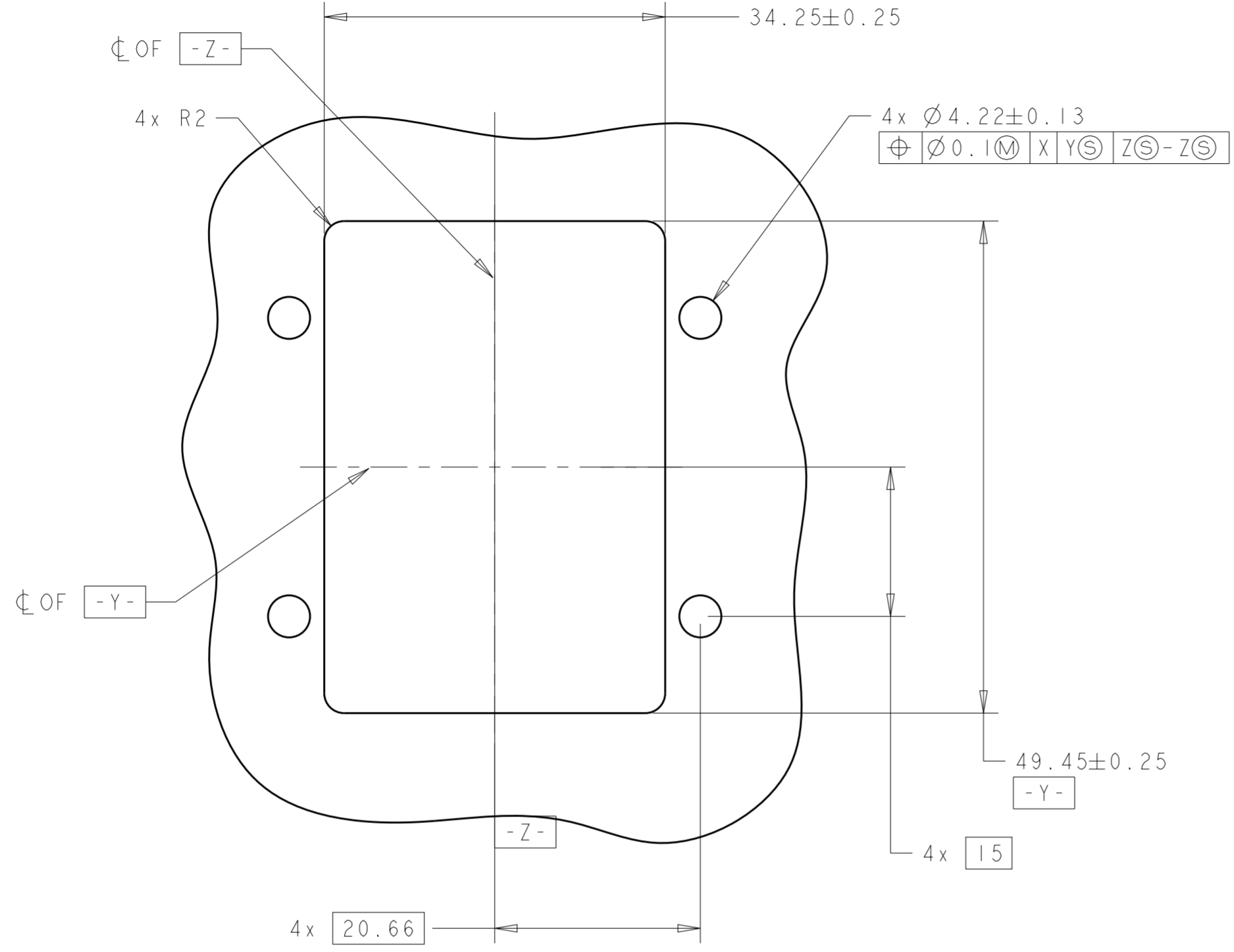


INCLUDES PROTECTIVE COVERS	1811648-2
WITHOUT PROTECTIVE COVER	1811648-1
COMMENTS	PART NUMBER

THIS DRAWING IS A CONTROLLED DOCUMENT.		DWN	BW	10AUG05	TE Connectivity NAME RECEPTACLE SHELL ASSEMBLY, VERTICAL, GPRB2			
DIMENSIONS:		CHK	JPM	10AUG05				
mm		APVD	JPM	10AUG05				
TOLERANCES UNLESS OTHERWISE SPECIFIED:		PRODUCT SPEC						
0 PLC	±0.2	APPLICATION SPEC			SIZE	CAGE CODE	DRAWING NO	RESTRICTED TO
1 PLC	±0.2	WEIGHT			A2	00779	C-1811648	
2 PLC	±0.2	CUSTOMER DRAWING			SCALE	2:1	SHEET	1 OF 2
3 PLC	±							REV
4 PLC	±							G
ANGLES	±							
FINISH	±							

THIS DRAWING IS UNPUBLISHED. RELEASED FOR PUBLICATION
 © COPYRIGHT - BY - ALL RIGHTS RESERVED.

LOC	DIST	REVISIONS			
P	LTR	DESCRIPTION	DATE	DWN	APVD
-	-	SEE SHEET 1	-	-	-



THIS DRAWING IS A CONTROLLED DOCUMENT.		DWN BW	10AUG05	TE Connectivity	
DIMENSIONS: mm		CHK JPM	10AUG05		
		APVD JPM	10AUG05		
TOLERANCES UNLESS OTHERWISE SPECIFIED: 0 PLC ±0.2 1 PLC ±0.2 2 PLC ±0.2 3 PLC ± 4 PLC ± ANGLES ± FINISH ±		PRODUCT SPEC APPLICATION SPEC WEIGHT		NAME RECEPTACLE SHELL ASSEMBLY, VERTICAL, GPRB2	
MATERIAL		CUSTOMER DRAWING		SIZE A200779	CAGE CODE C-1811648
				SCALE 1:1	SHEET 2 OF 2
				REV G	RESTRICTED TO

单击下面可查看定价，库存，交付和生命周期等信息

[>>TE Connectivity\(泰科\)](#)