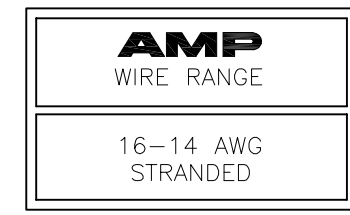
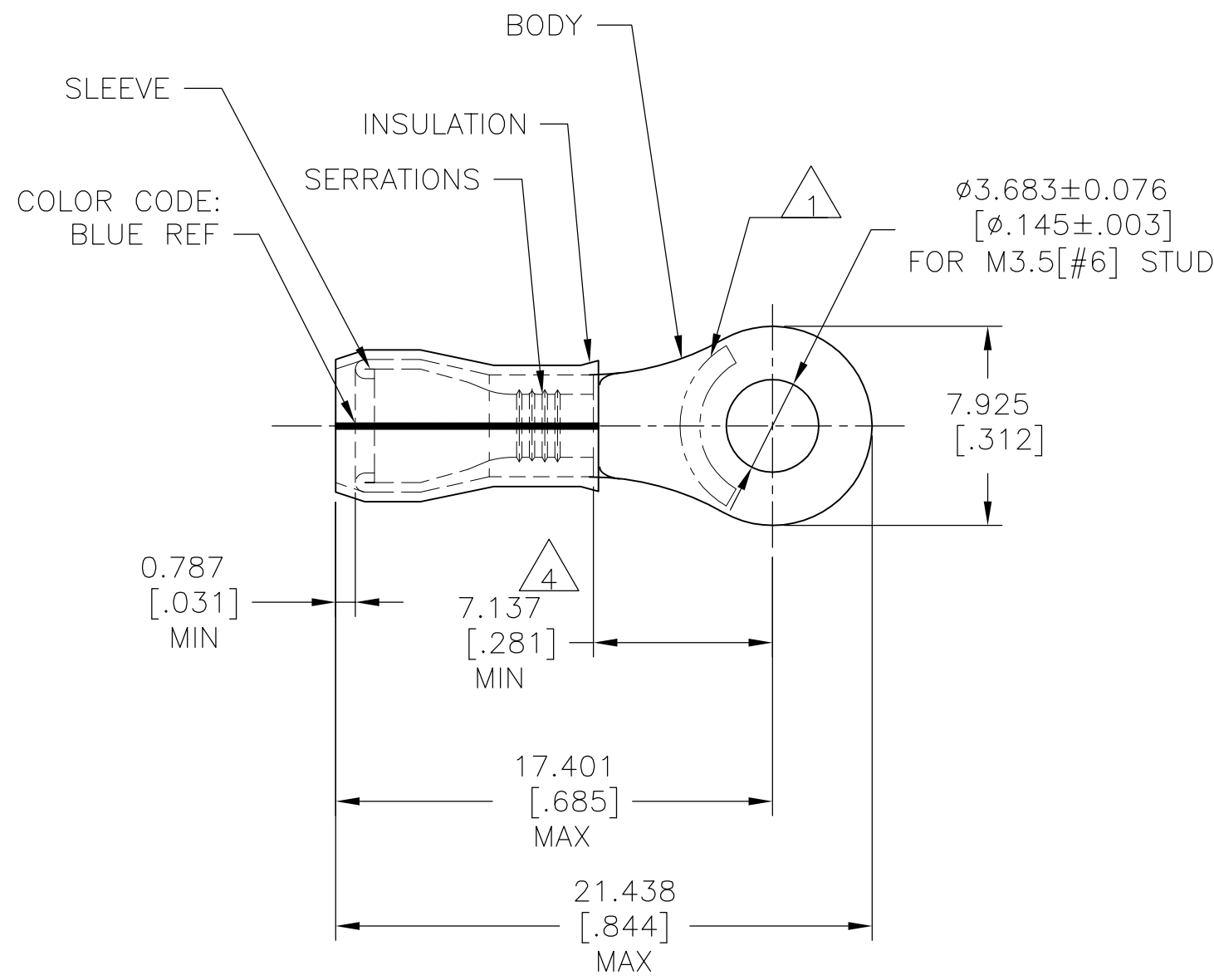


REVISIONS					
P	LTR	DESCRIPTION	DATE	DWN	APVD
	N3	REVISED PER ECO-12-007718	08MAY12	KH	DR
	N4	REVISED PER ECO-17-007400	24NOV2017	RS	DR



- 1 STAMP AMP 16-14* APPROX AS SHOWN.
- 2 WIRE INSULATION : $\phi 2.667 - 3.810$ [$\phi .105 - .150$]
- 3 BODY MATERIAL THK: 0.787 ± 0.051 [$.031 \pm .002$]
- 4 APPLIES FROM EDGE OF METAL WIRE BARREL TO CENTER OF STUD HOLE.
- 5 MEETS M7928/4-107, CLASS 1 & 2
MEETS M7928/13-107, CLASS 1 & 2
- 6 MEETS M7928/4-107, CLASS 2.
- 7 MATERIAL:
BODY & SLEEVE: COPPER PER ASTM B152
INSULATION: PVF2
- 8 FINISH:
BODY & SLEEVE: TIN/LEAD (93-7) PLATE PER ASTM B545 (3% MIN LEAD CONTENT)
INSULATION: COLOR-NATURAL.

5000	ON TAPE, REEL	6	53416-2
1000	LOOSE PIECE	5	53416-1
QTY	PACKAGE TYPE	PART NO	

AMP INCORPORATED CUSTOMER SERVICE SYSTEMS		MAX RECOMMENDED OPERATING TEMPERATURE: 150°C [302°F] MAX	THIS DRAWING IS A CONTROLLED DOCUMENT.		DWN JR RUTH 25OCT07	TE Connectivity NAME TERMINAL, RING TONGUE, PVF2, P.I.D.G. WIRE SIZE: 16-14 AWG						
FOR ADDITIONAL PRODUCT INFORMATION OR COPIES OF DRAWINGS AND TECHNICAL DOCUMENTS	PRODUCT INFORMATION CENTER 1-800-522-6752	VOLTAGE RATING: N/A	DIMENSIONS: mm [INCHES]	TOLERANCES UNLESS OTHERWISE SPECIFIED:	CHK T MICHELUTTI 25OCT07					APVD T MICHELUTTI 25OCT07	PRODUCT SPEC	APPLICATION SPEC
FOR APPLICATION TOOLING INFORMATION	TOOLING ASSISTANCE CENTER 1-800-722-1111	CIRCULAR MIL AREA: 1.04-2.62mm ² [2,050-5,180] STRANDED		0 PLC ± - 1 PLC ± - 2 PLC ± - 3 PLC ± 0.127[.005] 4 PLC ± - ANGLES ± -	FINISH	114-2157	SIZE A3	CAGE CODE 00779	DRAWING NO C-53416	SCALE 4:1	SHEET 1 OF 1	REV N4
FOR ORDER ENTRY	1-800-526-5142	THIS DRAWING IS A CONTROLLED DOCUMENT FOR AMP INCORPORATED. IT IS SUBJECT TO CHANGE AND THE CONTROLLING ENGINEERING ORGANIZATION SHOULD BE CONTACTED FOR THE LATEST REVISION.		MATERIAL	7	8	CUSTOMER DRAWING					

单击下面可查看定价，库存，交付和生命周期等信息

[>>TE Connectivity\(泰科\)](#)