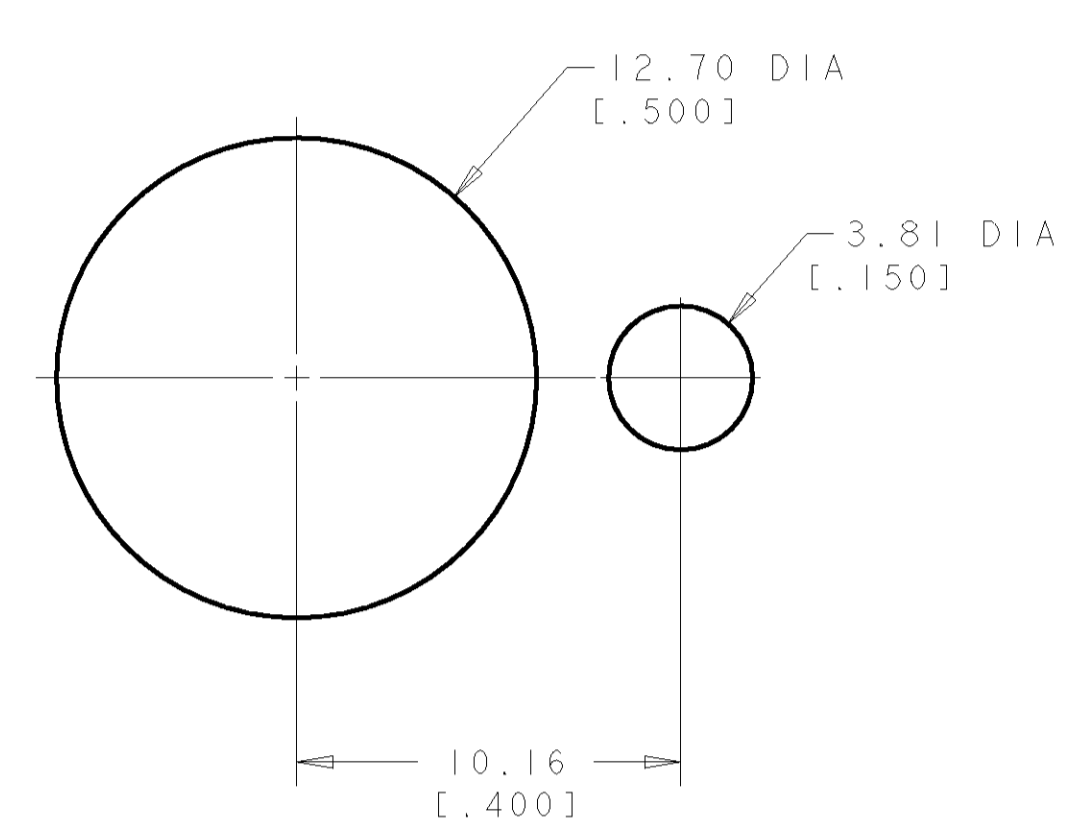
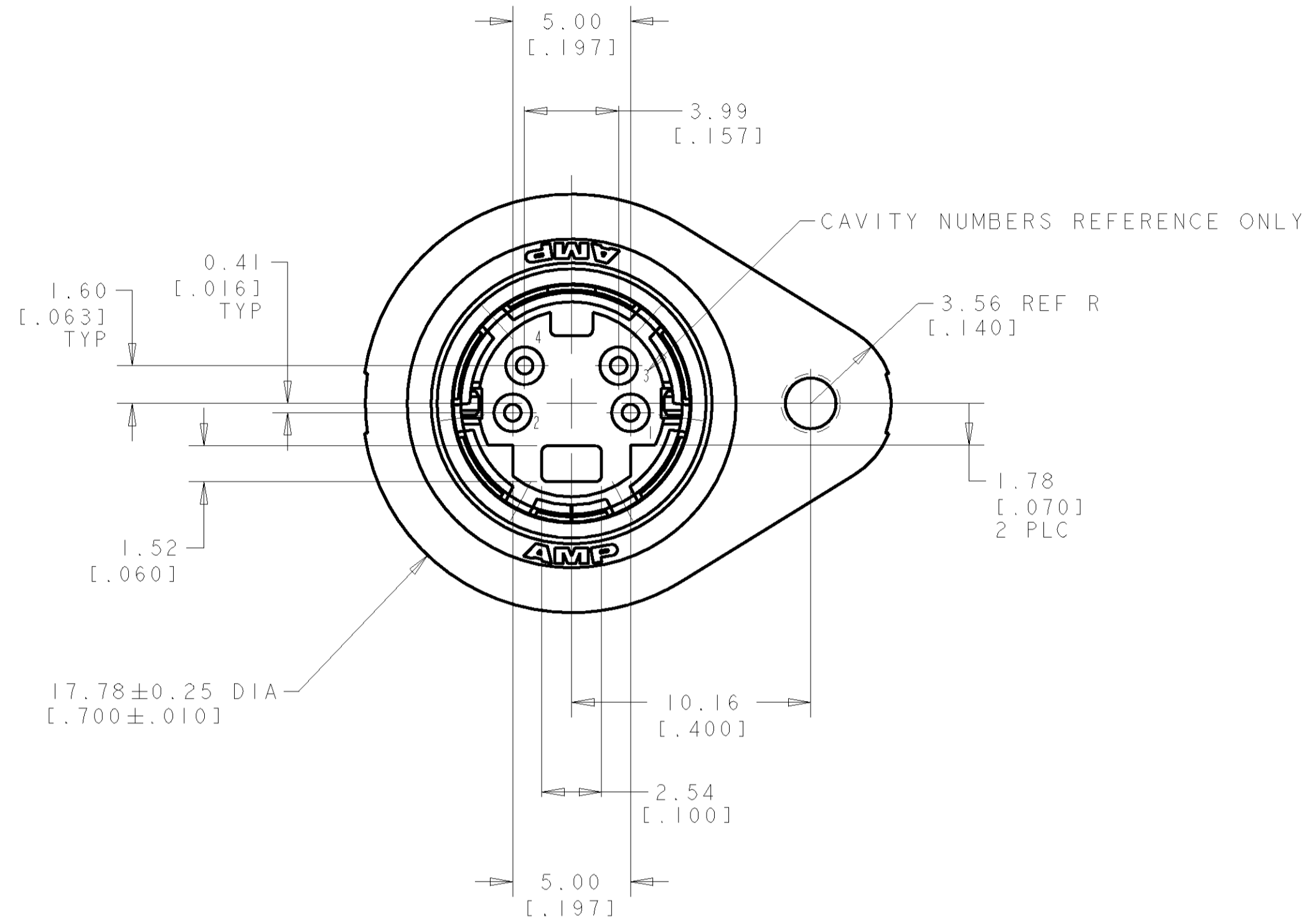
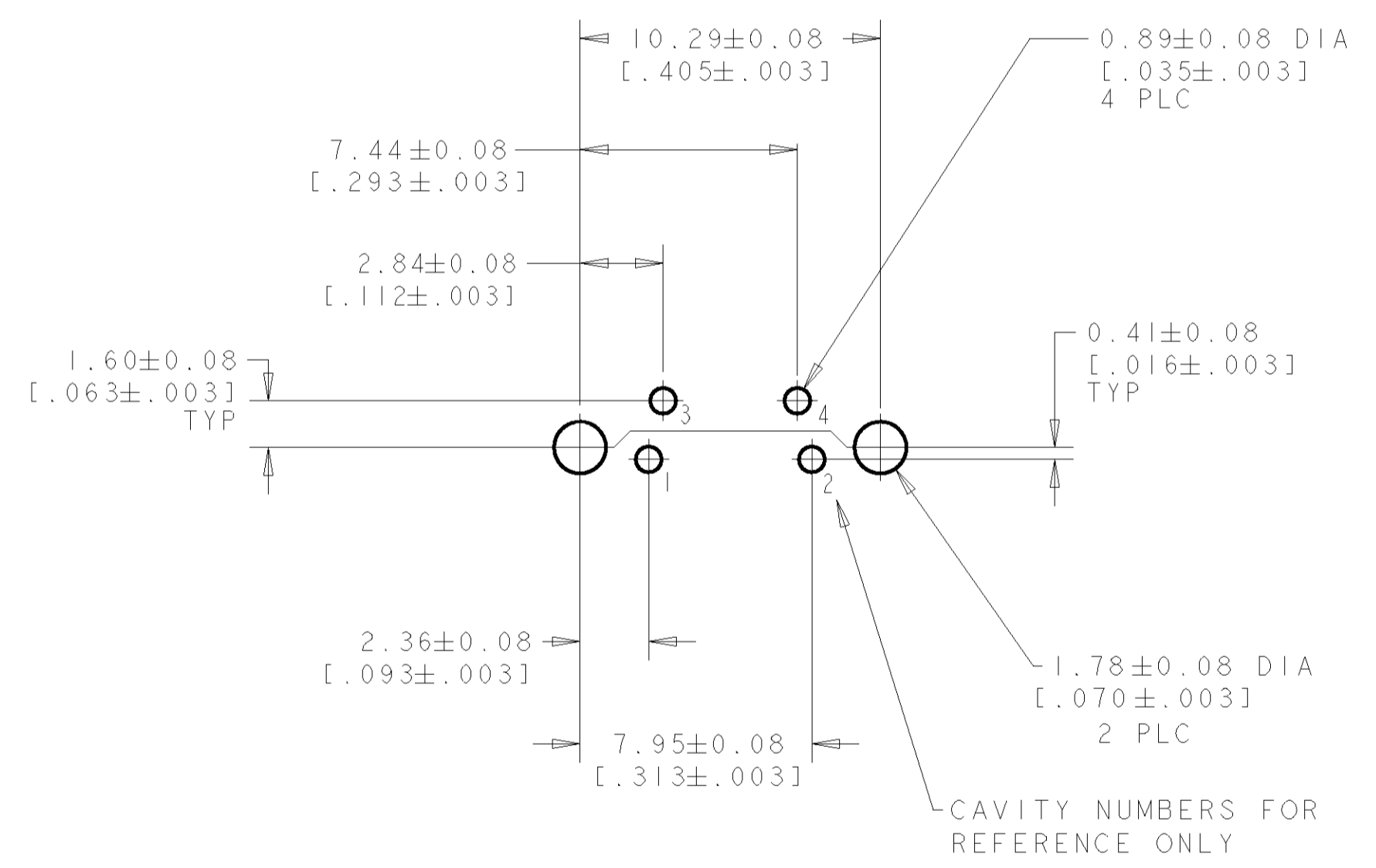
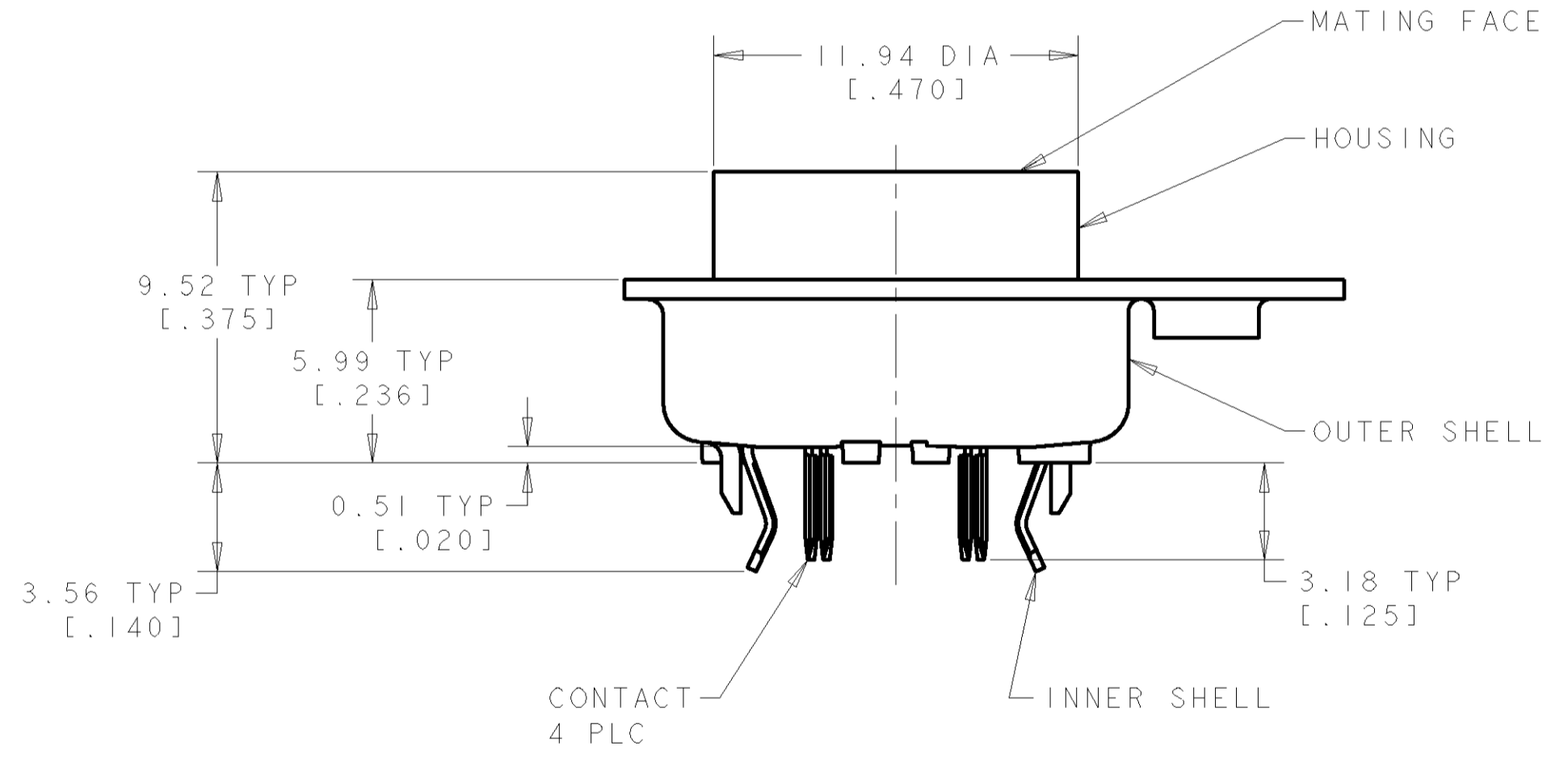


REVISONS		DATE	DNM	APRD
0	NPR FP00-0216-04	30AUG2004	LWY	LSF

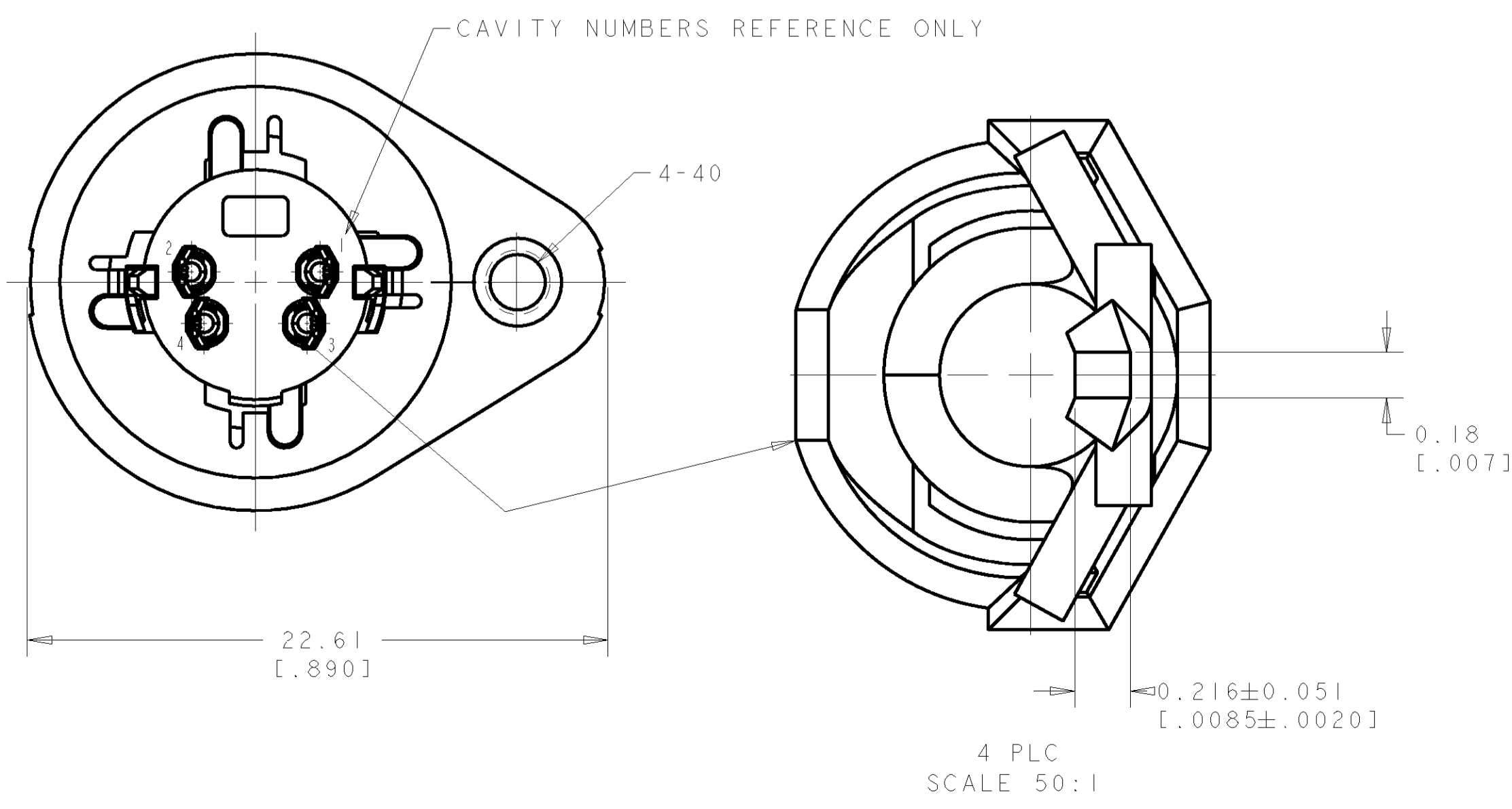


RECOMMENDED PANEL CUT-OUT

- 1 SHELLS: BRASS; CONTACTS: PHOSPHOR BRONZE; HOUSING: POLYESTER, UL 94V-0 RATED, BLACK.
- 2 0.76 μm [.000030] MIN GOLD ON MATING END FOR A LENGTH OF 1.37 [.054] MIN ON INSIDE, 2.54 μm [.000100] MIN TIN FOR A LENGTH OF 3.30 [.130] MIN FROM OPPOSITE END, ALL OVER 1.27 μm [.000050] MIN NICKEL.
- 3 0.38 μm [.000015] MIN GOLD ON MATING END FOR A LENGTH OF 1.37 [.054] MIN ON INSIDE, 2.54 μm [.000100] MIN TIN FOR A LENGTH OF 3.30 [.130] MIN FROM OPPOSITE END, ALL OVER 1.27 μm [.000050] MIN NICKEL.
- 4 RECEPTACLE ASSEMBLY MATES WITH 4 PIN, 8.99±0.10 [.354±.004] DIAMETER PLUG.



RECOMMENDED PC BOARD LAYOUT
BOTTOM VIEW



4 PLC
SCALE 50:1

CONTACT FINISH		5750319-2	
PART NO		PART NO	
Tyco Electronics Singapore Pte. Ltd.		NAME: RECEPTACLE ASSEMBLY, 4 POSN, LOW FLANGE, SHIELDED, VERTICAL, MINIATURE CIRCULAR DIN	
SIZE	CAGE CODE	DRAWING NO	REV
A1	00779	5750319	1
SCALE 5:1		SHEET 1 OF 1	

DIMENSIONS: mm [INCHES]		TOLERANCES UNLESS OTHERWISE SPECIFIED:	
0 PLC	±	0 PLC	±
1 PLC	±	1 PLC	±0.13 [.005]
2 PLC	±	2 PLC	±
3 PLC	±	3 PLC	±
4 PLC	±	4 PLC	±
MATERIAL		FINISH	
-		-	

单击下面可查看定价，库存，交付和生命周期等信息

[>>TE Connectivity\(泰科\)](#)