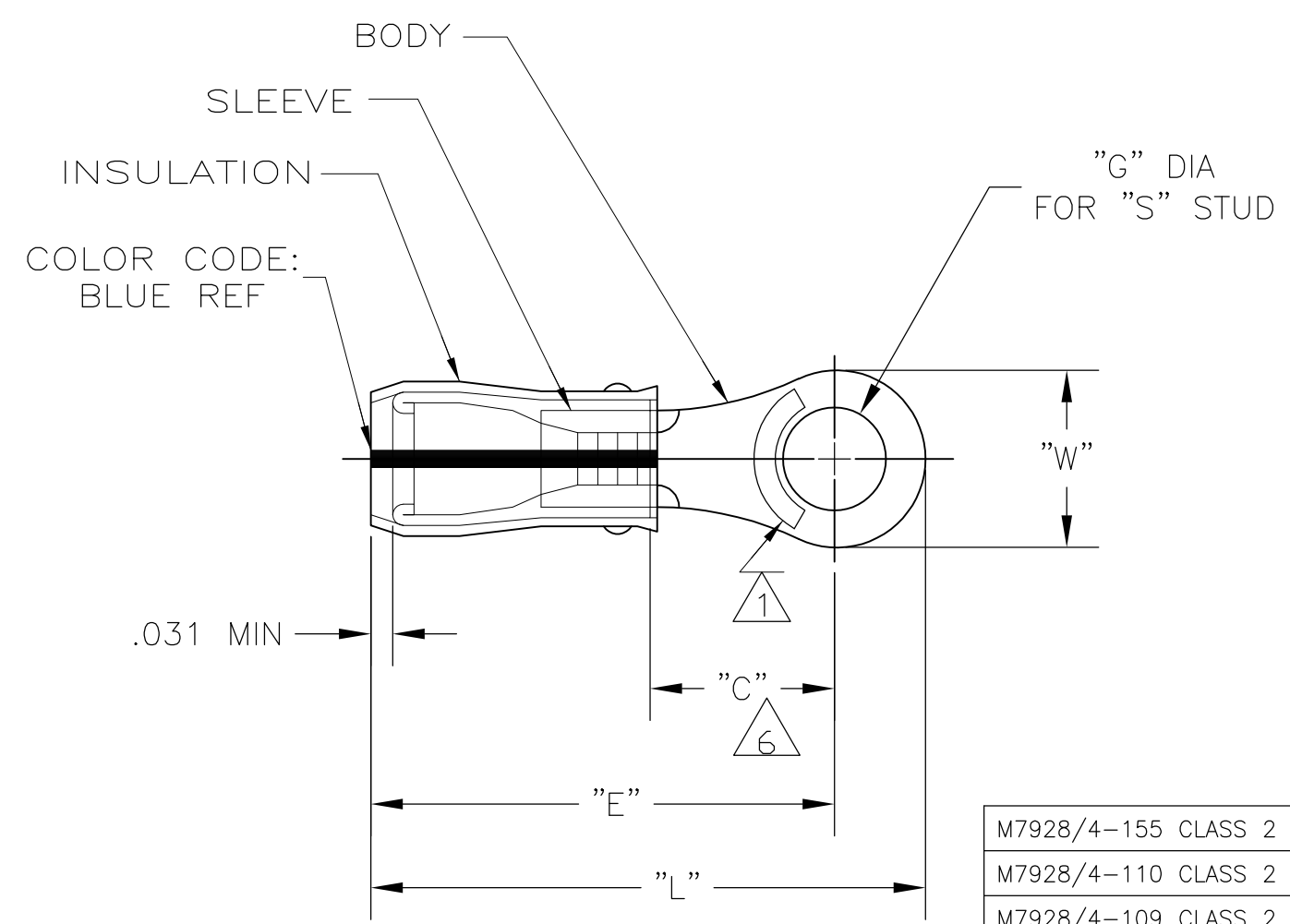


THIS DRAWING IS UNPUBLISHED. RELEASED FOR PUBLICATION  
 © COPYRIGHT BY TYCO ELECTRONICS CORPORATION. ALL RIGHTS RESERVED.

| LOC | DIST | REVISIONS |     |                       |         |     |      |
|-----|------|-----------|-----|-----------------------|---------|-----|------|
|     |      | P         | LTR | DESCRIPTION           | DATE    | DWN | APVD |
| G   | 14   |           | A1  | REV PER ECR 07-016469 | 18JUL07 | JR  | TM   |



- 1 STAMP AMP 16-14\* APPROX AS SHOWN
- 2 WIRE INSULATION DIA: .105-.150
- 3 TONGUE MATERIAL THK: .031±.002
- 4 BODY & SLEEVE: TIN PLATE PER ASTM B545,
- 5 BODY & SLEEVE- CU PER ASTM B152 INSULATION - PVF2, COLOR - NATURAL
- 6 APPLIES FROM EDGE OF METAL WIRE BARREL TO CENTER OF STUD HOLE.

|                      |      |          |          |           |       |           |      |              |            |
|----------------------|------|----------|----------|-----------|-------|-----------|------|--------------|------------|
| M7928/4-155 CLASS 2  | .713 | .530 MIN | .934 MAX | .515±.005 | 1/2"  | 1.298 MAX | 1000 | LOOSE PIECE  | 1-696423-0 |
| M7928/4-110 CLASS 2  | .531 | .546 MIN | .950 MAX | .390±.005 | 3/8"  | 1.223 MAX | 1000 | LOOSE PIECE  | 696423-9   |
| M7928/4-109 CLASS 2  | .469 | .437 MIN | .841 MAX | .328±.005 | 5/16" | 1.083 MAX | 1000 | LOOSE PIECE  | 696423-8   |
| M7928/4-154 CLASS 2  | .469 | .437 MIN | .841 MAX | .265±.005 | 1/4"  | 1.083 MAX | 1000 | LOOSE PIECE  | 696423-7   |
| M7928/4-108 CLASS 2  | .312 | .281 MIN | .685 MAX | .197±.003 | #10   | .849 MAX  | 1000 | LOOSE PIECE  | 696423-6   |
| M7928/4-153 CLASS 2  | .312 | .281 MIN | .685 MAX | .171±.003 | #8    | .849 MAX  | 1000 | LOOSE PIECE  | 696423-5   |
| M7928/4-107 CLASS 2  | .312 | .281MIN  | .685 MAX | .145±.003 | #6    | .849 MAX  | 1000 | LOOSE PIECE  | 696423-4   |
| M7928/4-106 CLASS 2  | .250 | .171 MIN | .575 MAX | .145±.003 | #6    | .708 MAX  | 1000 | LOOSE PIECE  | 696423-3   |
| M7928/4-152 CLASS 2  | .250 | .171 MIN | .575 MAX | .119±.003 | #4    | .708 MAX  | 1000 | LOOSE PIECE  | 696423-2   |
| MILITARY P/N & CLASS | "W"  | "C"      | "E"      | "G" DIA   | "S"   | "L"       | QTY  | PACKAGE TYPE | PART NO    |

|  |  |   |  |   |                                  |  |      |           |            |               |
|--|--|---|--|---|----------------------------------|--|------|-----------|------------|---------------|
| <b>AMP INCORPORATED<br/>CUSTOMER SERVICE SYSTEMS</b>                             |  | MAX RECOMMENDED OPERATING TEMPERATURE:<br>150°C MAX   | THIS DRAWING IS A CONTROLLED DOCUMENT. |   | DWN<br>JR RUTH<br>22JUL05        | Tyco Electronics Corporation<br>Harrisburg, Pa 17105-3608                |      |           |            |               |
| FOR ADDITIONAL PRODUCT INFORMATION OR COPIES OF DRAWINGS AND TECHNICAL DOCUMENTS | PRODUCT INFORMATION CENTER<br>1-800-522-6752 | VOLTAGE RATING:<br>-  | DIMENSIONS:<br>INCHES                  | TOLERANCES UNLESS OTHERWISE SPECIFIED:                                      | CHK<br>T MICHIELUTTI<br>22JUL05  | NAME<br>TERMINAL, RING TONGUE,<br>PVF2, P.I.D.G.<br>WIRE SIZE: 16-14 AWG |      |           |            |               |
| FOR APPLICATION TOOLING INFORMATION  | TOOLING ASSISTANCE CENTER<br>1-800-722-1111  | CIRCULAR MIL AREA:<br>1.04-2.62mm² [2,050-5,180] STRANDED   |  | 0 PLC ± -<br>1 PLC ± -<br>2 PLC ± -<br>3 PLC ± -<br>4 PLC ± -<br>ANGLES ± - | APVD<br>T MICHIELUTTI<br>22JUL05 | APPLICATION SPEC   | SIZE | CAGE CODE | DRAWING NO | RESTRICTED TO |
| FOR ORDER ENTRY  | 1-800-526-5142                               | THIS DRAWING IS A CONTROLLED DOCUMENT FOR AMP INCORPORATED. IT IS SUBJECT TO CHANGE AND THE CONTROLLING ENGINEERING ORGANIZATION SHOULD BE CONTACTED FOR THE LATEST REVISION. | MATERIAL                               | FINISH  | PRODUCT SPEC                     | WEIGHT   | A3   | 00779     | C-696423   | -             |
| CUSTOMER DRAWING   |  |   |  |   |                                  | SCALE  | 4:1  | SHEET     | 1 OF 1     | REV<br>A1     |

单击下面可查看定价，库存，交付和生命周期等信息

[>>TE Connectivity\(泰科\)](#)