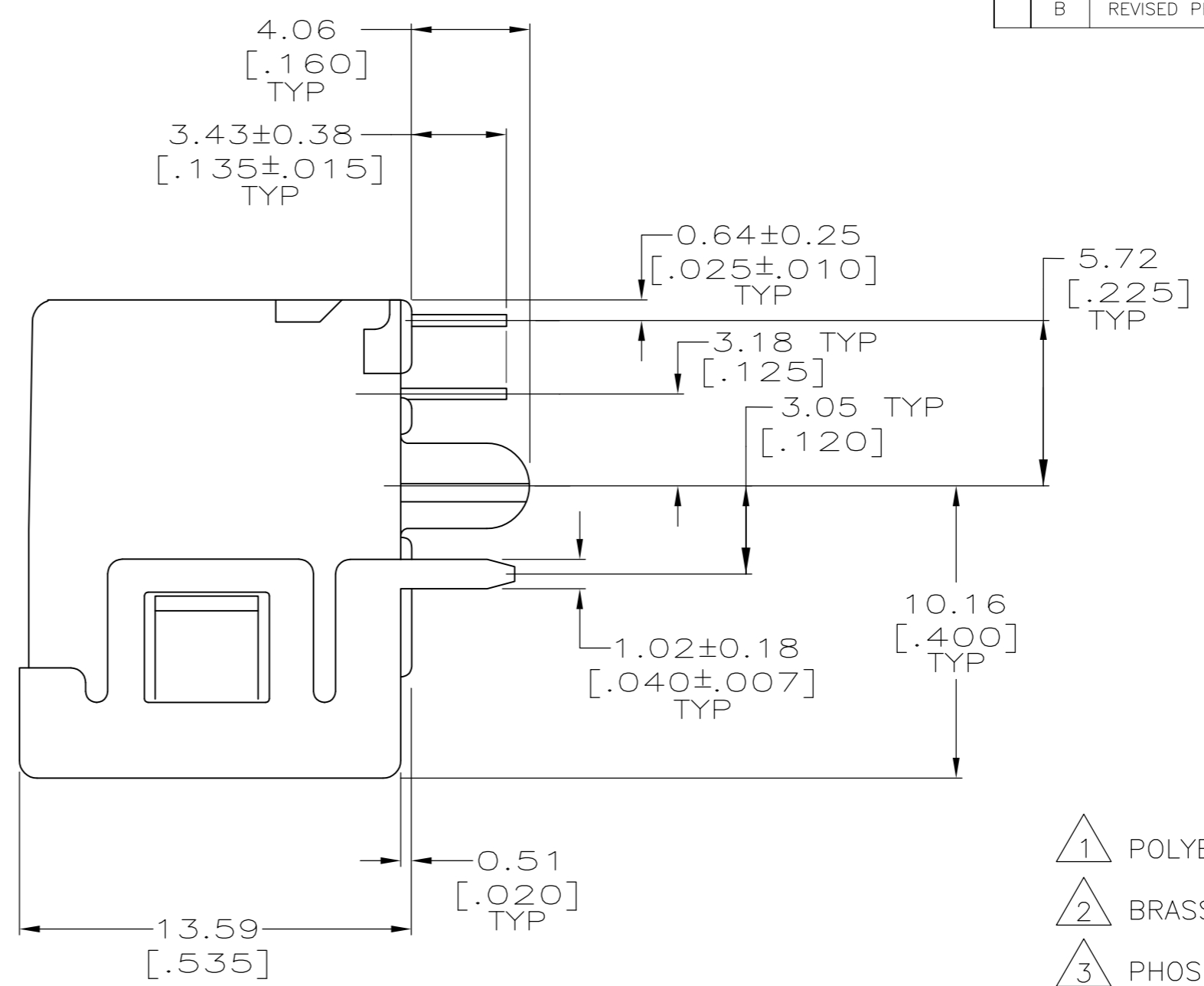
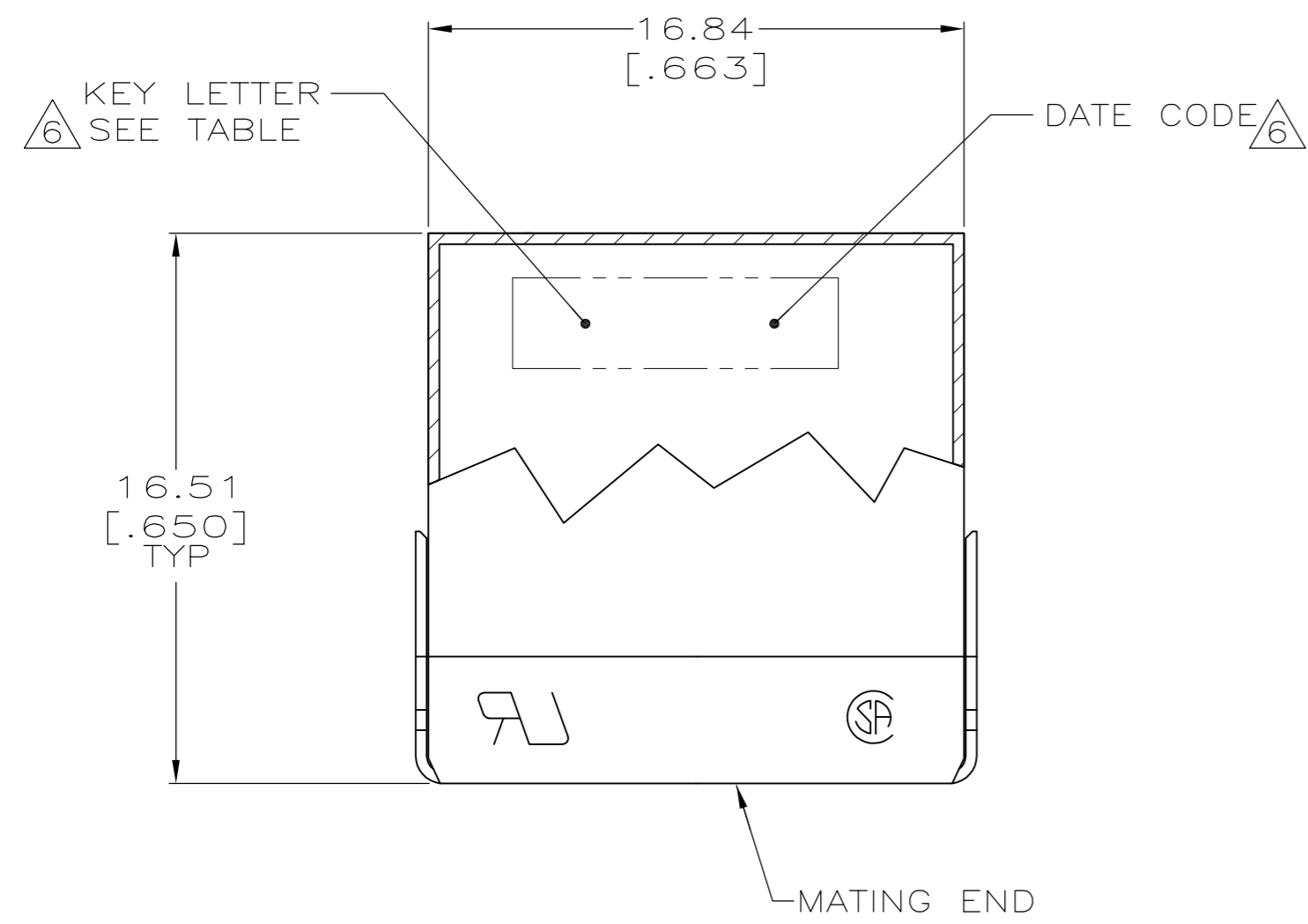
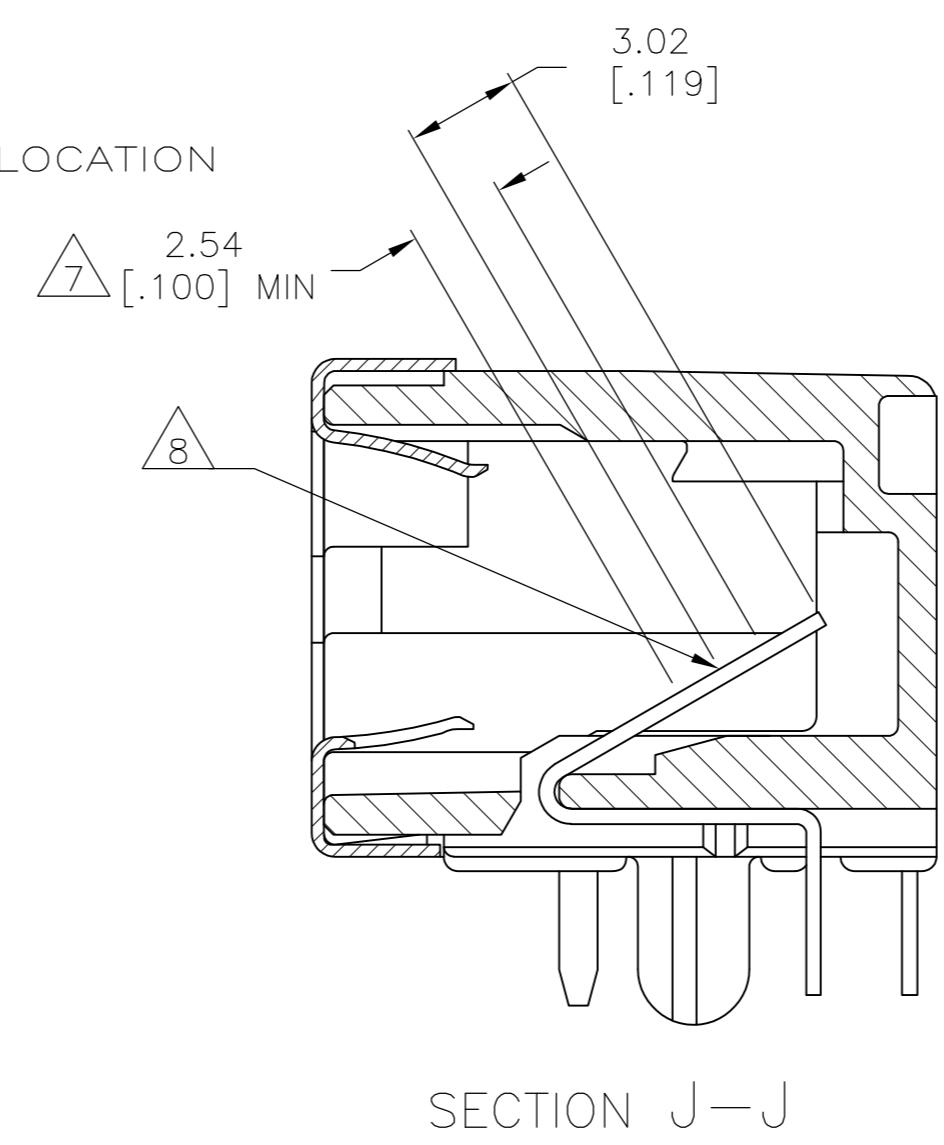
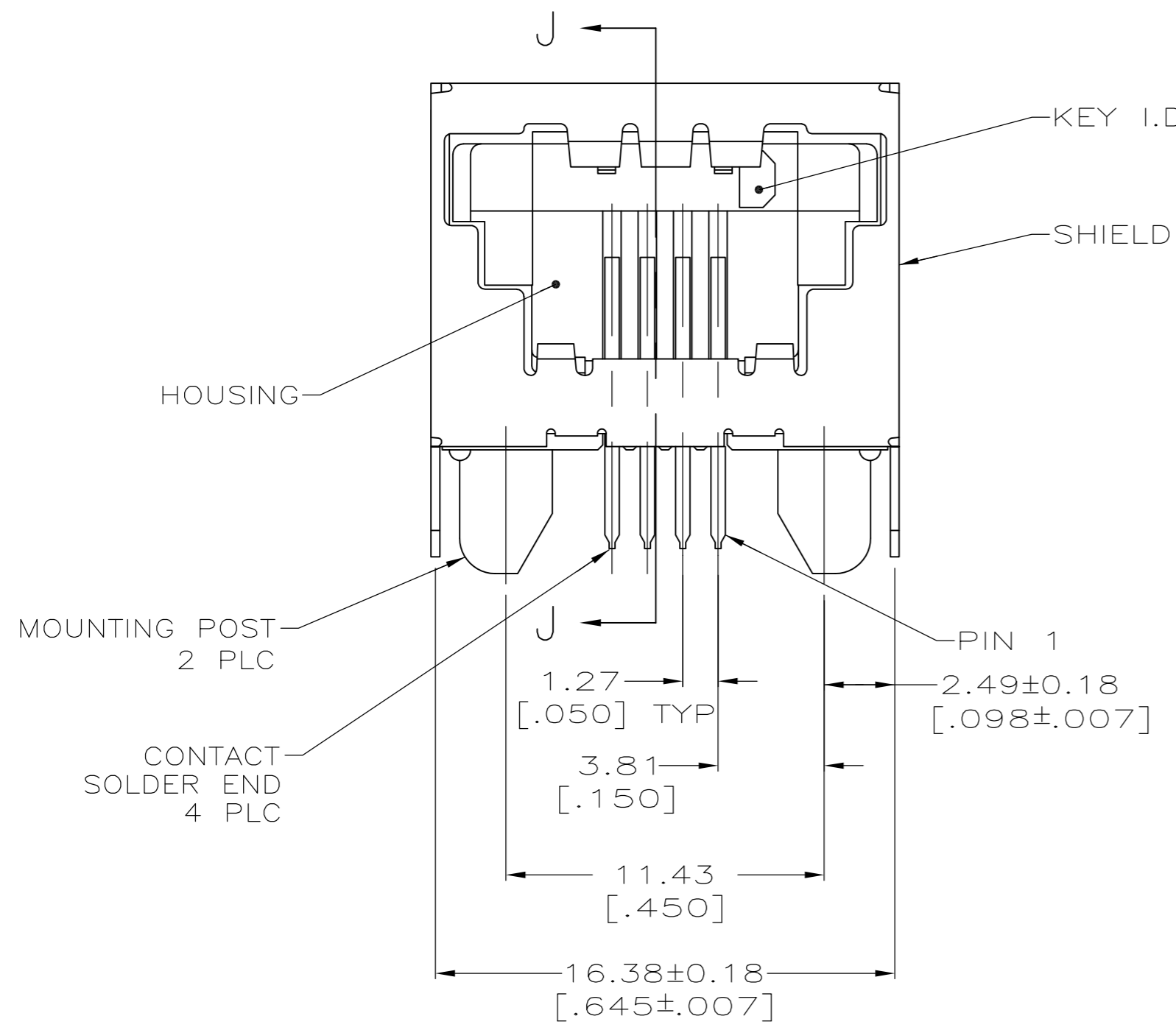


THIS DRAWING IS UNPUBLISHED. RELEASED FOR PUBLICATION  
 © COPYRIGHT - By - ALL RIGHTS RESERVED.

LOC		DIST		REVISIONS			
P	LTR	DESCRIPTION	DATE	DWN	APVD		
GP	00	B	REVISED PER ECO-11-019758	15FEB2012	CJV	CWR	



- 1 POLYESTER, UL 94V-0 RATED, BLACK.
- 2 BRASS.
- 3 PHOSPHOR BRONZE.
- 4 3.81µm [.000150] MIN BRIGHT TIN OVER 1.27µm [.000050] MIN NICKEL.
- 5 3.81µm [.000150] MIN MATTE TIN ON SOLDER END, 1.27µm [.000050] MIN GOLD ON MATING END FOR A LENGTH OF 2.54 [.100] MIN ON MATING SURFACE, ALL OVER 1.27µm [.000050] MIN NICKEL.
- 6 KEY IDENTIFICATION LETTER AND DATE CODE HOT STAMPED ON HOUSING, THIS SURFACE, LOCATED APPROXIMATELY AS SHOWN.
- 7 DIMENSION INDICATES CONTACT MATING AREA.
- 8 PLATING MEASUREMENT POINT.



D	4-1761206-1		
KEY I.D. LETTER	PART NO		
<b>TE</b> TE Connectivity			
RECEPTACLE ASSEMBLY, 4 POSITION, SIDE ENTRY, SDL			
SIZE	CAGE CODE	DRAWING NO	RESTRICTED TO
A2	00779	C=1761206	-
CUSTOMER DRAWING		SCALE	SHEET
		NTS	1 OF 1
		REV	B

THIS DRAWING IS A CONTROLLED DOCUMENT. DIMENSIONING AND TOLERANCING PER ASME Y14.5M-2009		DWN	30APR04
DIMENSIONS: mm [INCHES]		CHK	30APR04
TOLERANCES UNLESS OTHERWISE SPECIFIED:		APVD	30APR04
0 PLC	± -	NAME	
1 PLC	± -	B. MCMASTER	
2 PLC	± 0.13 [.005]	PRODUCT SPEC	
3 PLC	± -	108-2047	
4 PLC	± -	APPLICATION SPEC	
ANGLES	± -	114-2081	
MATERIAL	FINISH	WEIGHT	
▲▲▲	▲▲	-	

单击下面可查看定价，库存，交付和生命周期等信息

[>>TE Connectivity\(泰科\)](#)