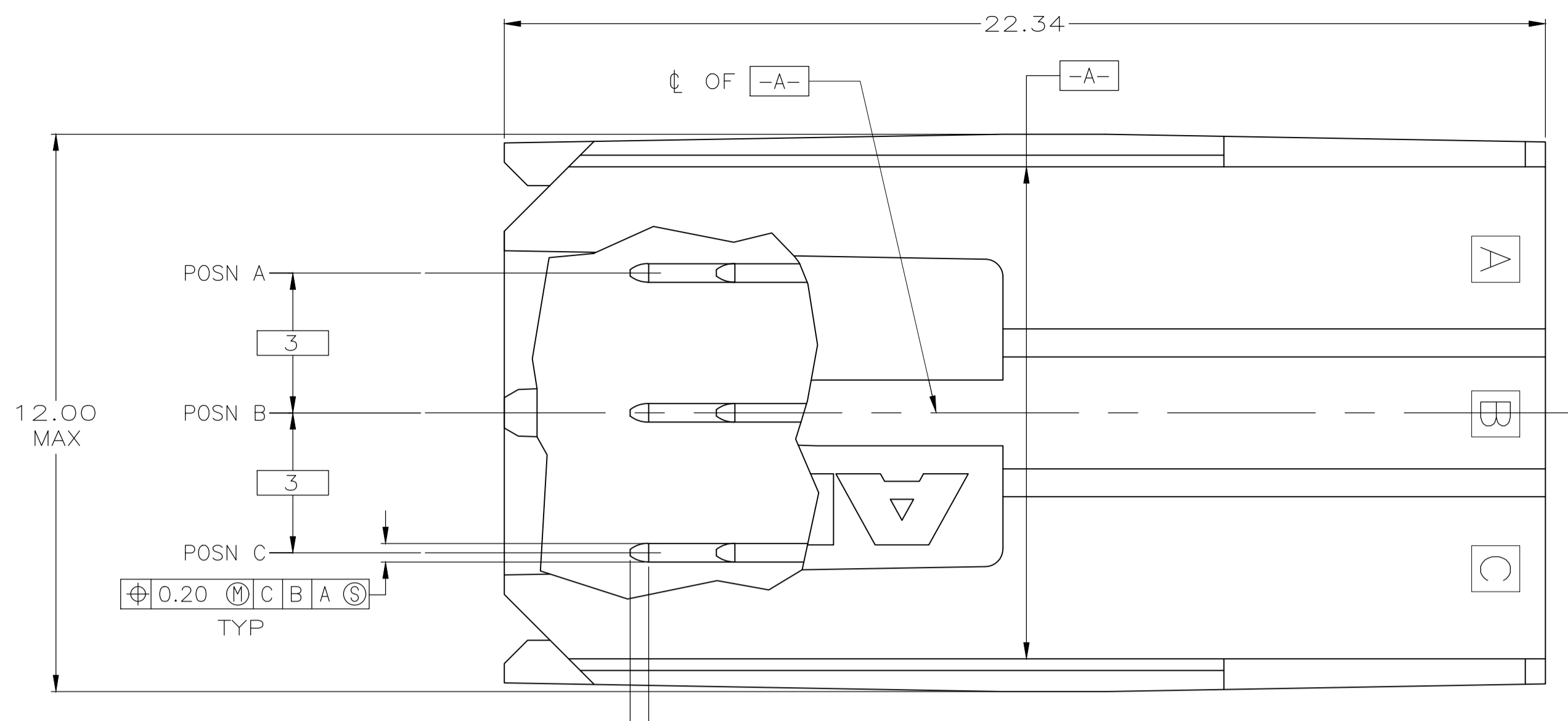
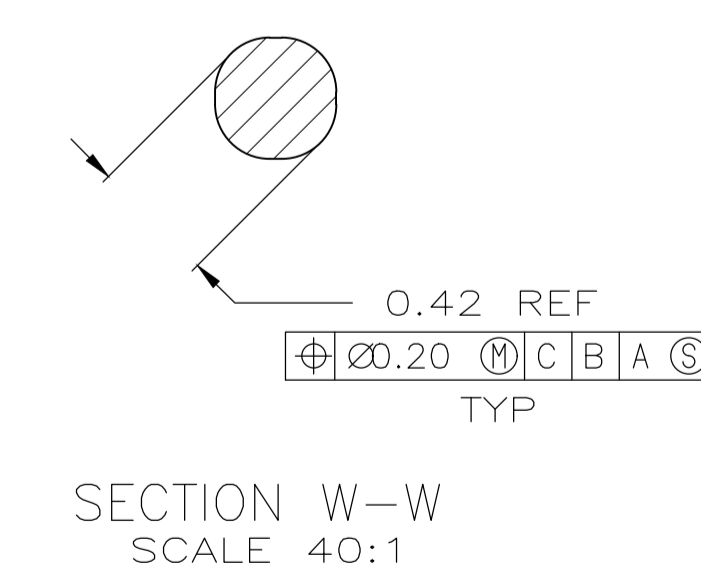
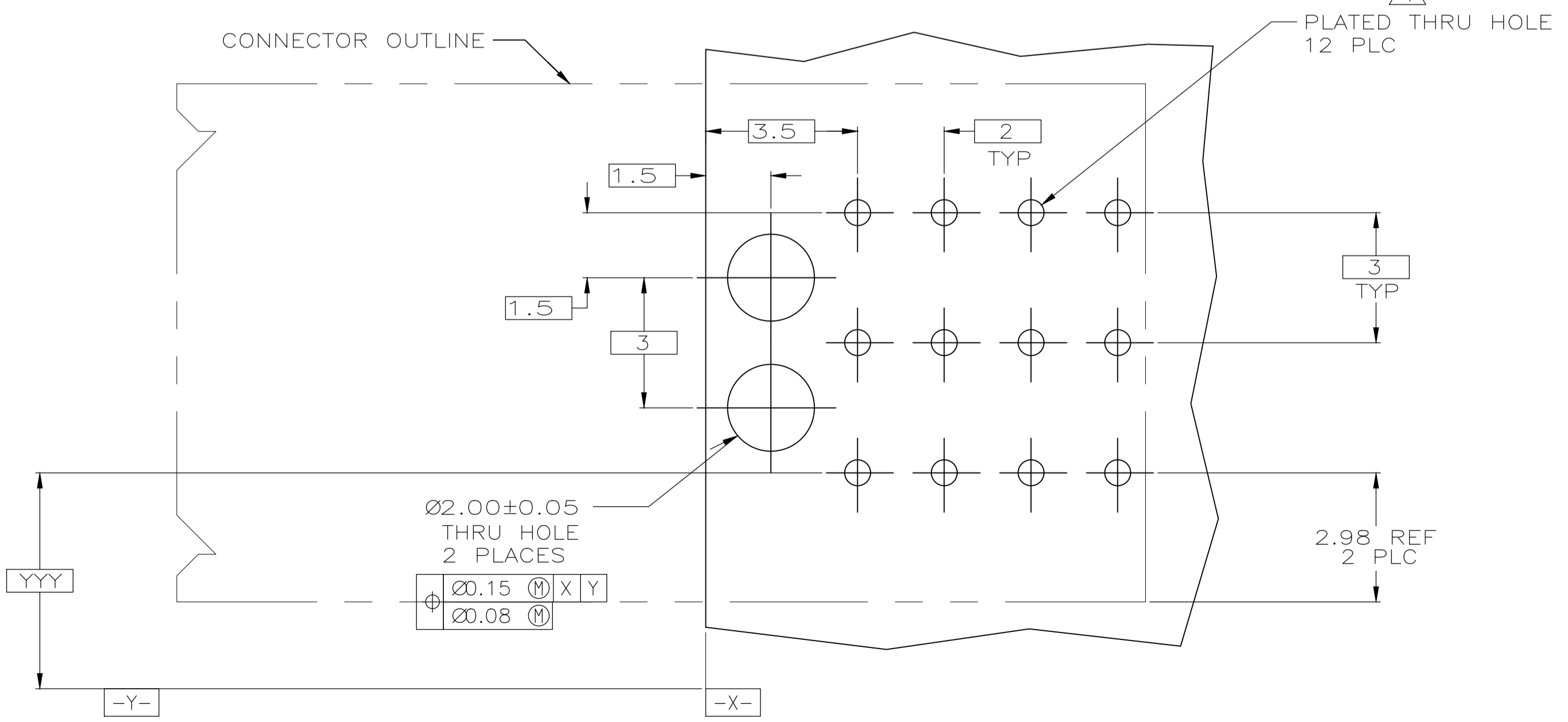
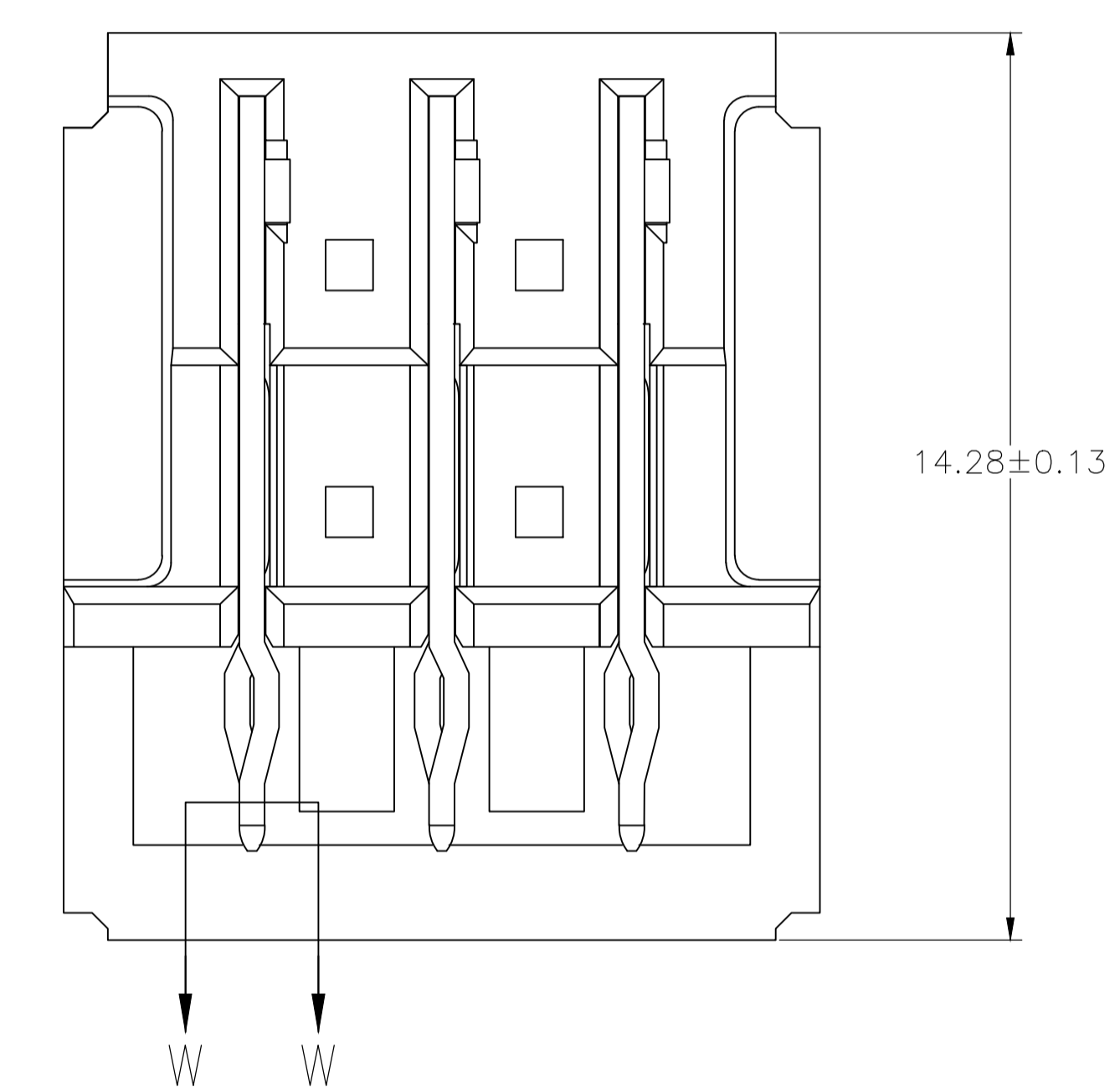
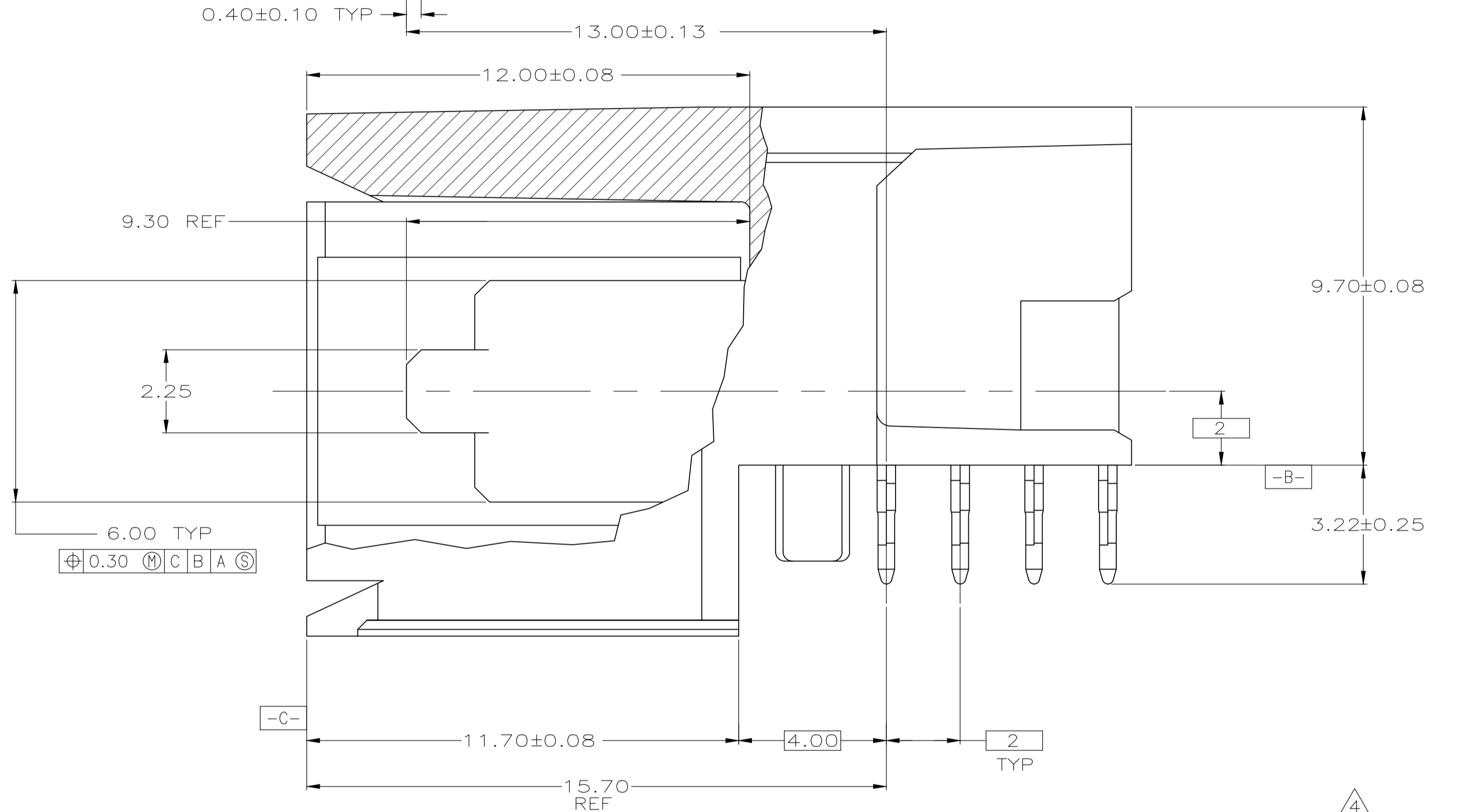
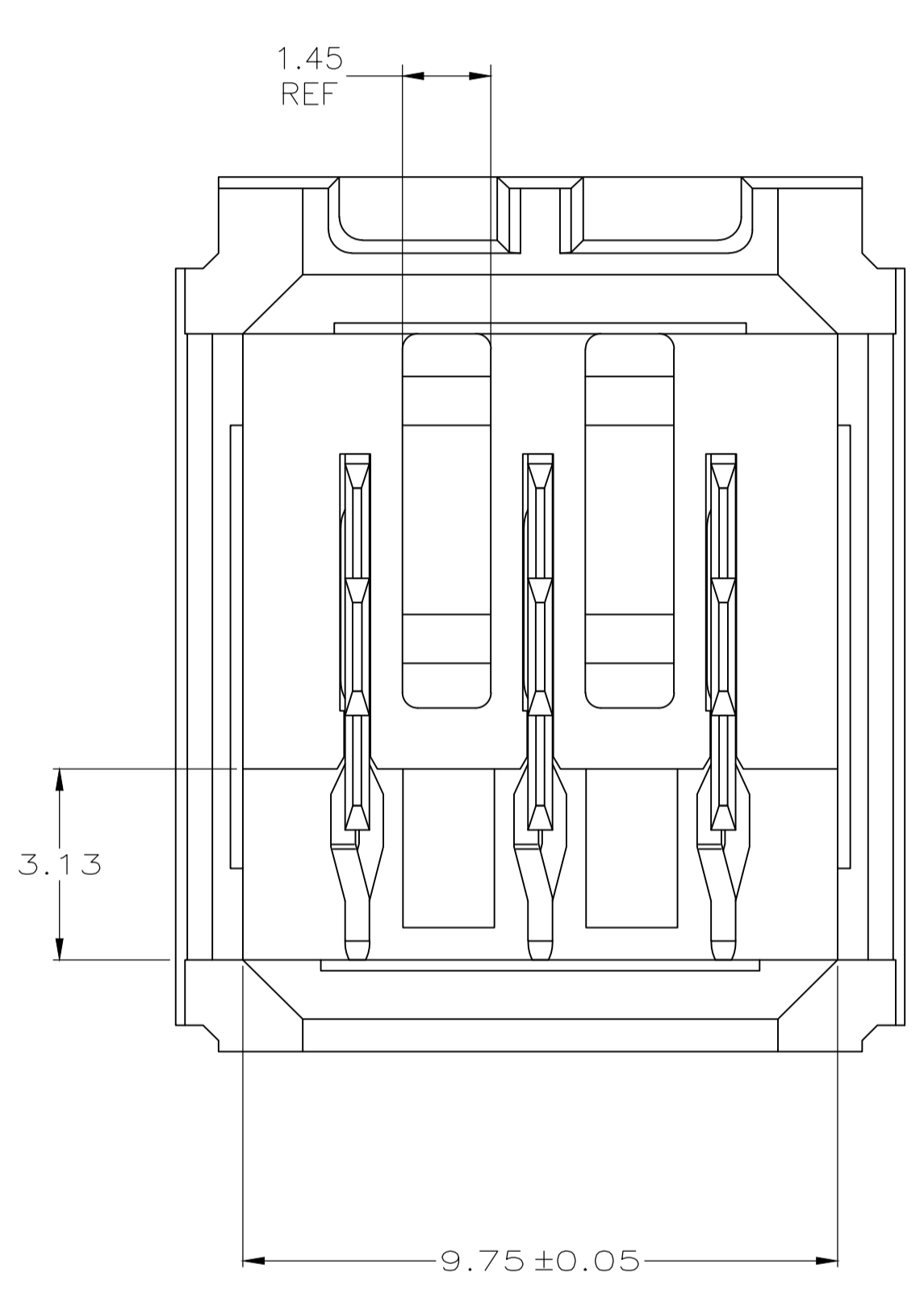


LOC		DIST		REVISIONS			
AD	00	REV	PER	DESCRIPTION	DATE	DMN	APVD
D1		REV	PER	ECO-20-004668	10JUN2020	ML	SZ



- 1 MATERIAL: HOUSING: POLYESTER. COLOR: GREY. CONTACT: COPPER ALLOY.
- 2 FINISH: IN ACCORDANCE WITH PRODUCT SPECIFICATION 108-1651, GOLD PLATING OR EQUIVALENT PLATING ON PRODUCT CONTACT MATING AREA, AND MATTE TIN PLATING ON COMPLIANT PIN AREA, ALL OVER MATTE NICKEL UNDERPLATED. DETAIL PLEASE REFER TO PRODUCT SPECIFICATION 108-1651.
- 3 FINISH: CONTACT LUBRICATION WITH BELLCORE APPROVED LUBRICANT. TECHNICAL REFERENCE: TR-NWT-001217 ISSUE 1, SEPT 1992.
- 4 REFERENCE APPLICATION SPEC 114-1103 FOR RECOMMENDED PLATED THRU HOLE DIAMETER AND PLATING THICKNESS.



RECOMMENDED PCB HOLE LAYOUT

5223993-1
PART NUMBER

THIS DRAWING IS A CONTROLLED DOCUMENT.		DIN: B. CARBO 14DEC04	Tyco Electronics Corporation Harrisburg, Pa 17105-3608
DIMENSIONS: mm		CHK: R. PATTERSON 14DEC04	
TOLERANCES UNLESS OTHERWISE SPECIFIED:		NAME: R. PATTERSON 14DEC04	ASSEMBLY, RIGHT ANGLE HEADER, W/ RETENTION PEGS, UNIVERSAL POWER MODULE
0 PLC ± -		PRODUCT SPEC: 108-1651	
1 PLC ± -		APPLICATION SPEC: 114-1103	SIZE: A1
2 PLC ± 0.13		WEIGHT: -	
3 PLC ± -		CAGE CODE: 5223993	RESTRICTED TO: -
4 PLC ± -		SCALE: 10:1	
ANGLES ± -		SHEET: 1 of 1	
MATERIAL: 1		REV: D1	
FINISH: 2, 3			

单击下面可查看定价，库存，交付和生命周期等信息

[>>TE Connectivity\(泰科\)](#)