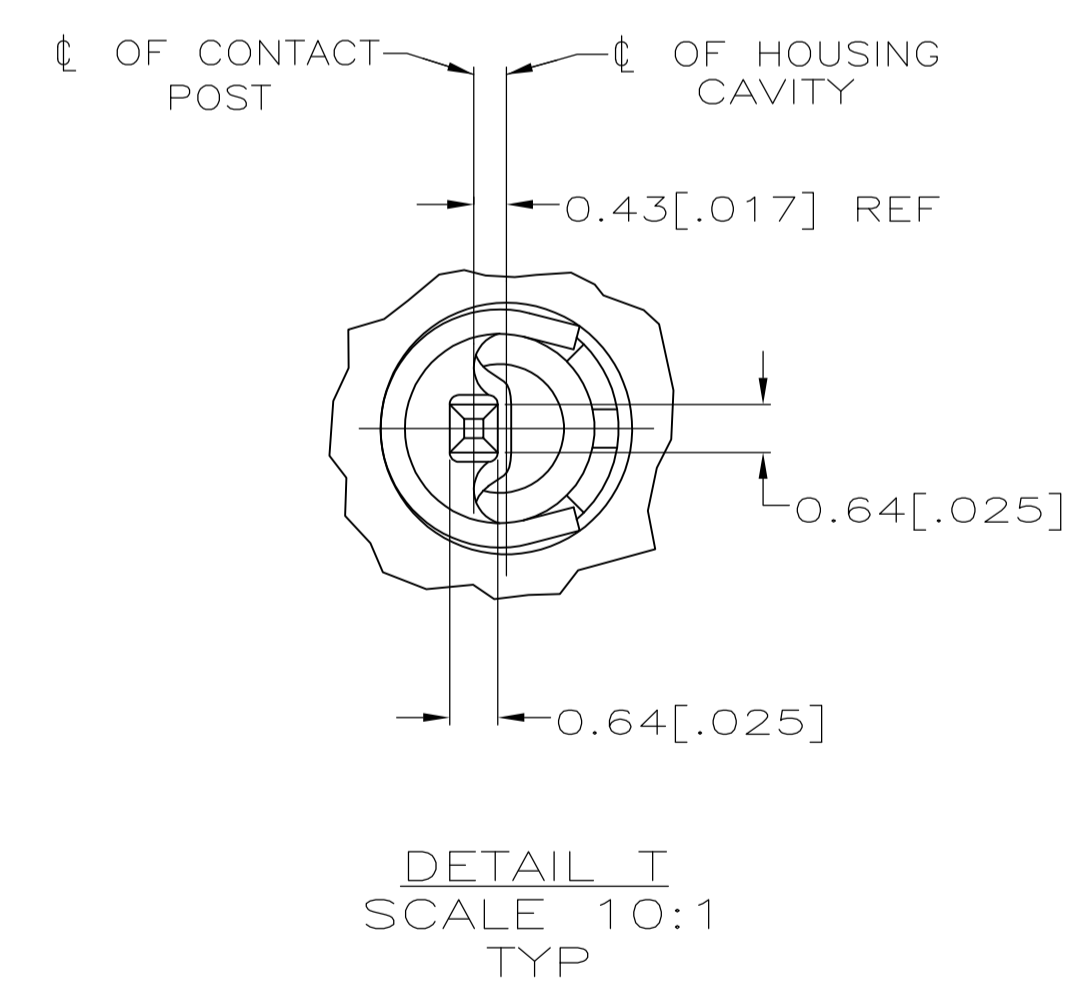
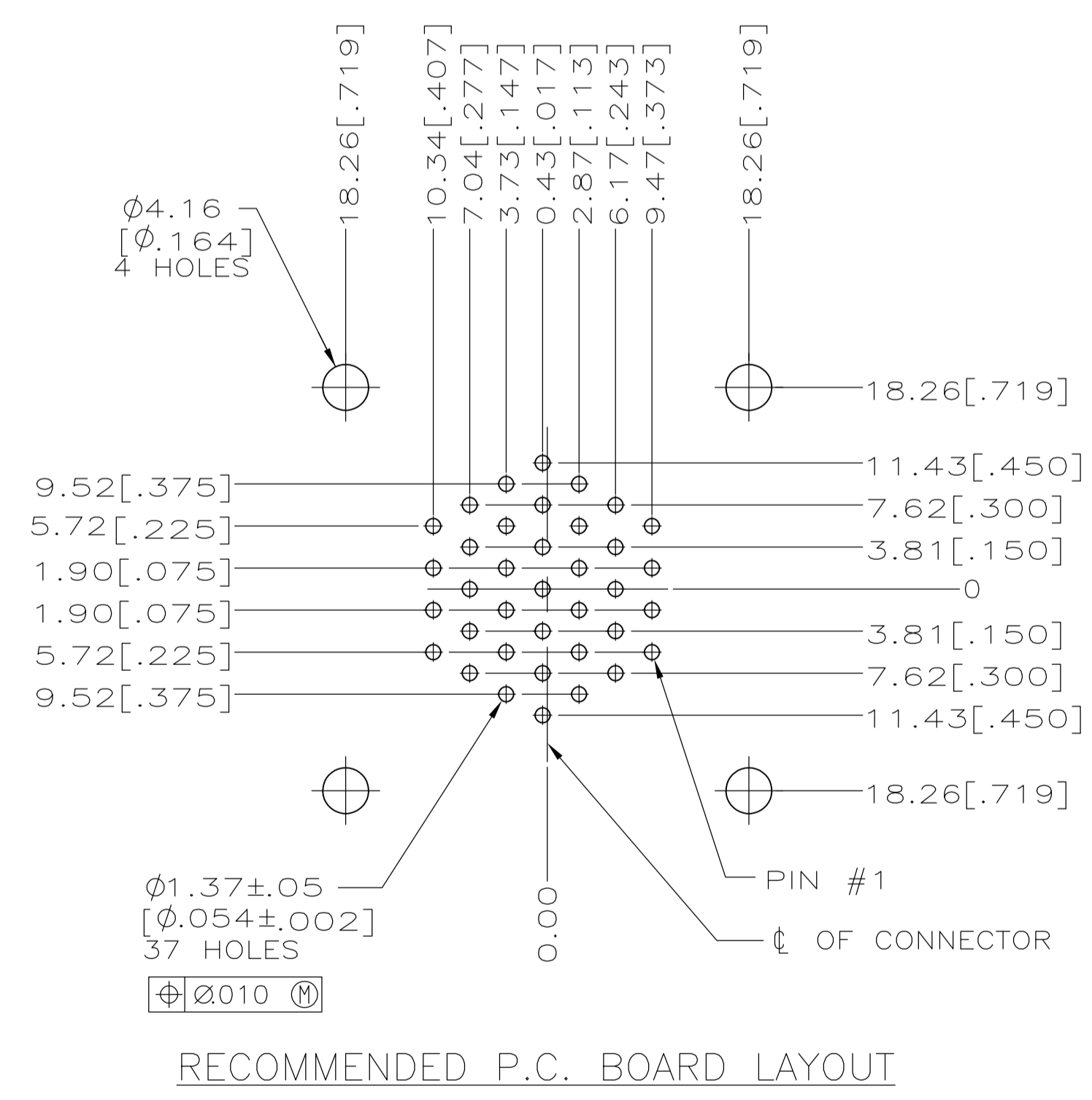
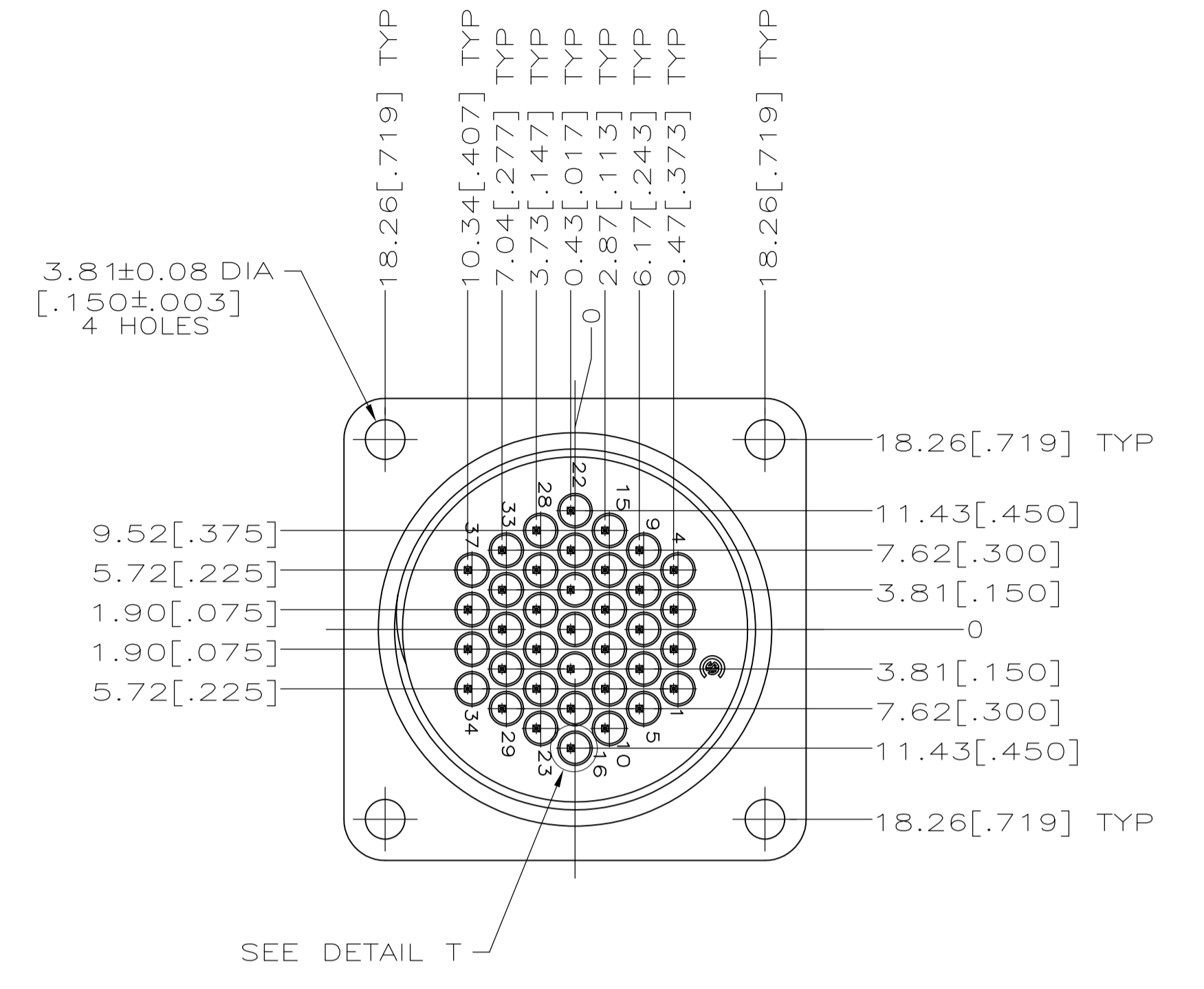
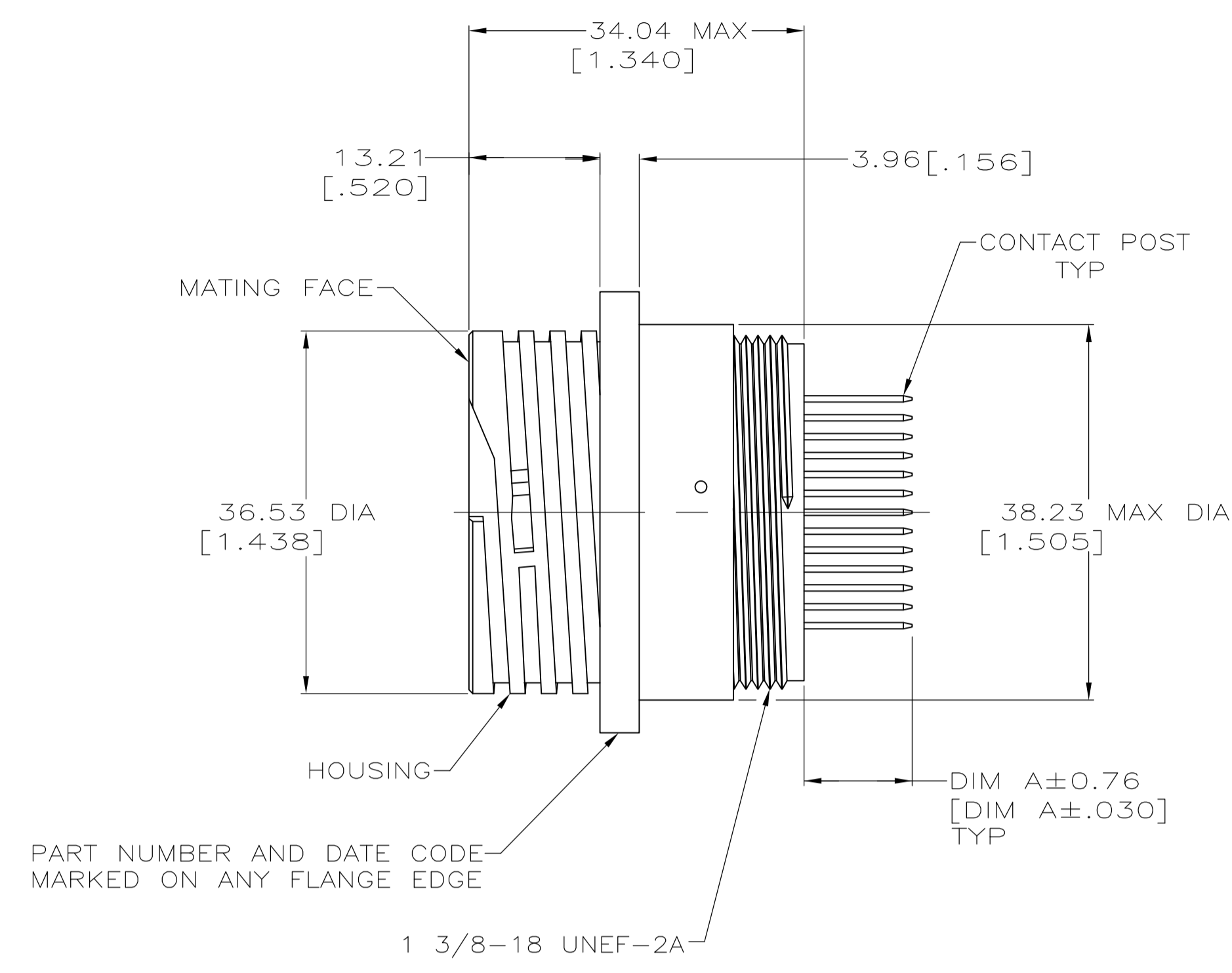
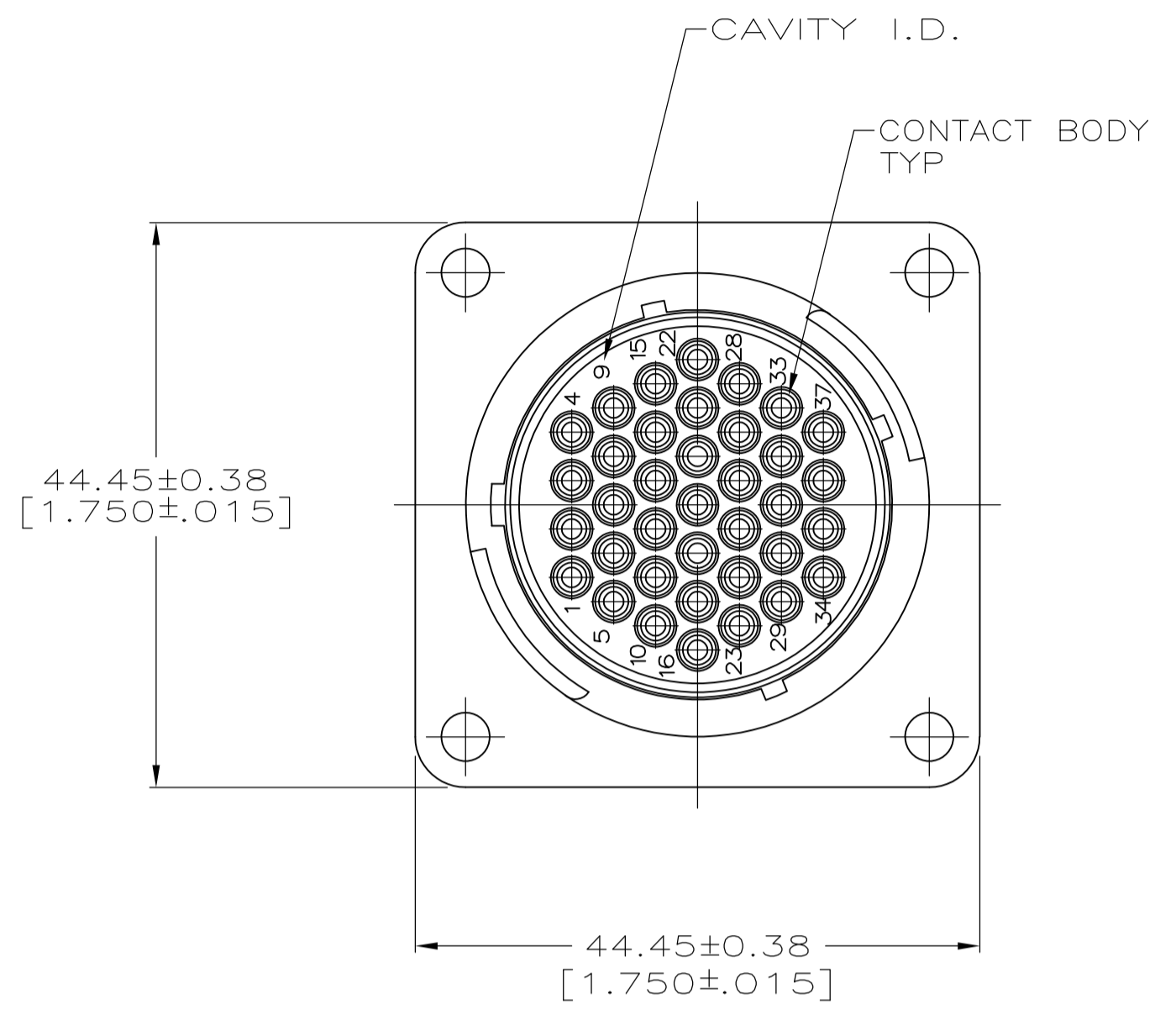


REVISIONS					
P	LTR	DESCRIPTION	DATE	DMN	APVD
G1	REVISED PER ECO-16-004800		08SEP2016	NK	MZ



- 1 NYLON, UL 94V-0 RATED, BLACK.
- 2 STAINLESS STEEL.
- 3 BRASS.
- 4 CONTACT BODY: 0.76µm [.000030] MIN GOLD FOR A LENGTH OF 5.08 [.200] MIN FROM MATING END. GOLD FLASH ON REMAINDER, BOTH OVER 1.27µm [.000050] MIN NICKEL. CONTACT POST: 2.54µm [.000100] MIN TIN-LEAD OVER 1.27µm [.000050] MIN NICKEL.
- 5 RECOMMENDED PC BOARD HOLE SIZE FOR CONTACT POST = 1.02±0.08[.040±.003] DIA.
- 6 CONTACT BODY: 0.76µm [.000030] MIN GOLD FOR A LENGTH OF 5.08 [.200] MIN FROM MATING END. GOLD FLASH ON REMAINDER, BOTH OVER 1.27µm [.000050] MIN NICKEL. CONTACT POST: 2.54µm [.000100] MIN TIN OVER 1.27µm [.000050] MIN NICKEL.

OBSOLETE	6	5.59[.220]	213854-4
	6	10.90[.429]	213854-3
	4	5.59[.220]	213854-2
	4	10.90[.429]	213854-1
FINISH		DIM A	PART NUMBER

THIS DRAWING IS A CONTROLLED DOCUMENT.

DIMENSIONS: mm [INCHES]	TOLERANCES UNLESS OTHERWISE SPECIFIED:	DIN D. HARDY 01-03-95	APVD R. STONE 01-09-95	TE Connectivity	
0 PLC ± -	1 PLC ± -	CJK R. STONE 01-09-95	NAME T. COULSON 01-10-95	RECEPTACLE ASSEMBLY, POSTED, STD SEX, SERIES 1, 23-37, CPC	
2 PLC ± -	3 PLC ± .005	APVD T. COULSON 01-10-95	PRODUCT SPEC 108-10024	108-10024	
4 PLC ± -	ANGLES ± -	APVD T. COULSON 01-10-95	APPLICATION SPEC	108-10024	
MATERIAL: HOUSING: CONTACT SPRING: CONTACT BODY & POST:	FINISH:	WEIGHT: A1	SIZE: A1	CAGE CODE: 00779	DRAWING NO: 213854
CUSTOMER DRAWING			SCALE: 2:1	SHEET: 1 of 1	REV: G1

单击下面可查看定价，库存，交付和生命周期等信息

[>>TE Connectivity\(泰科\)](#)