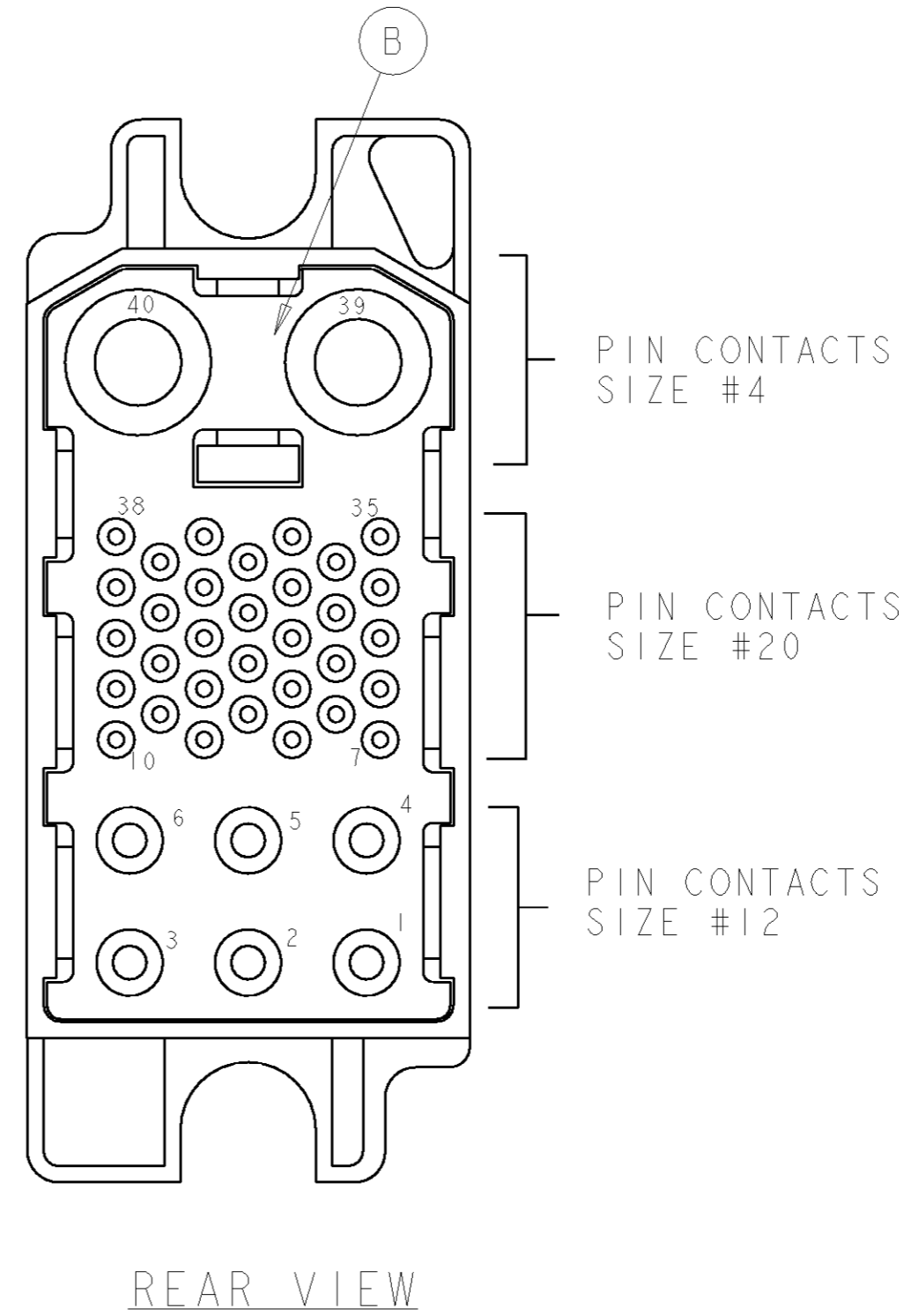
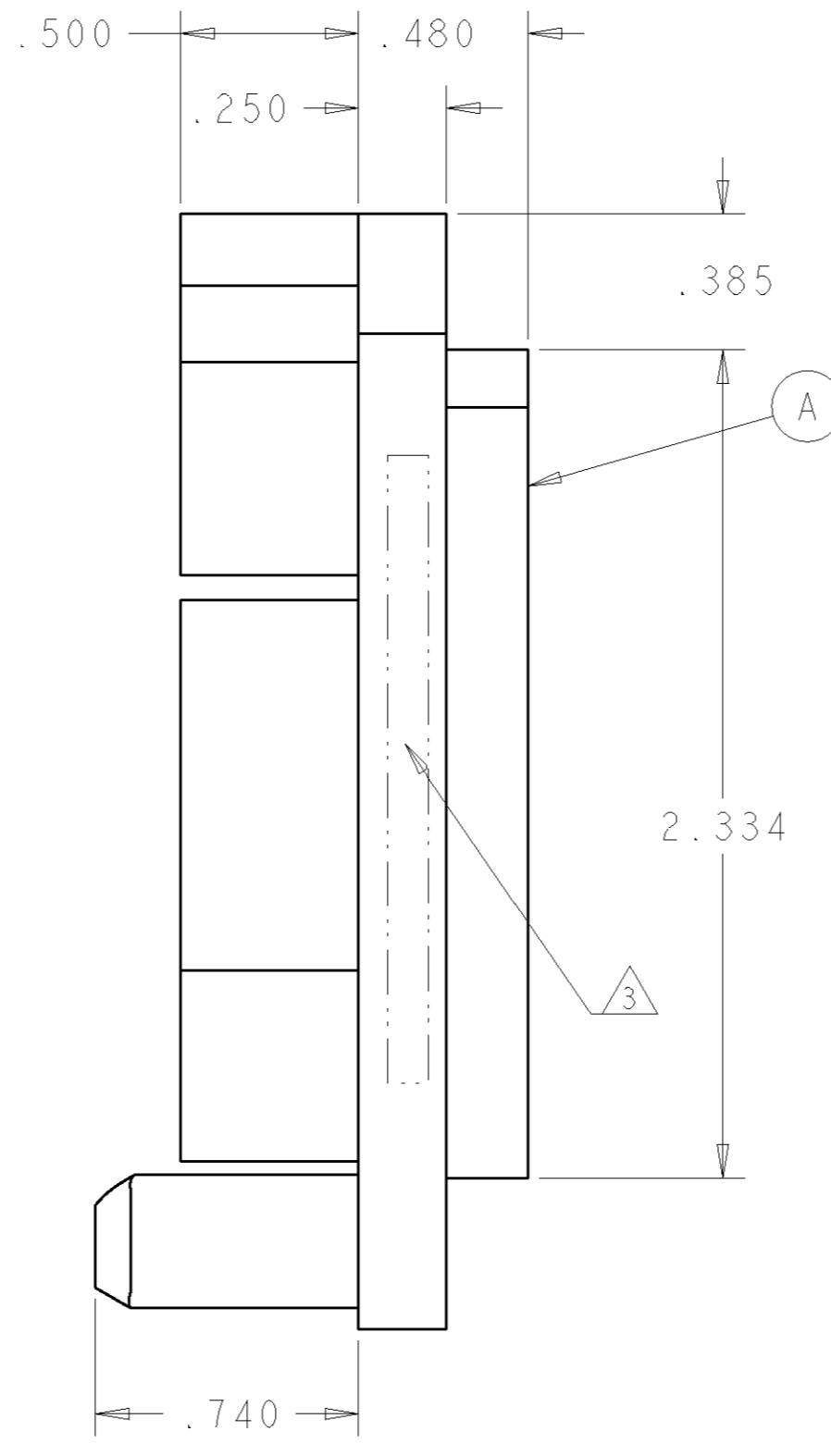
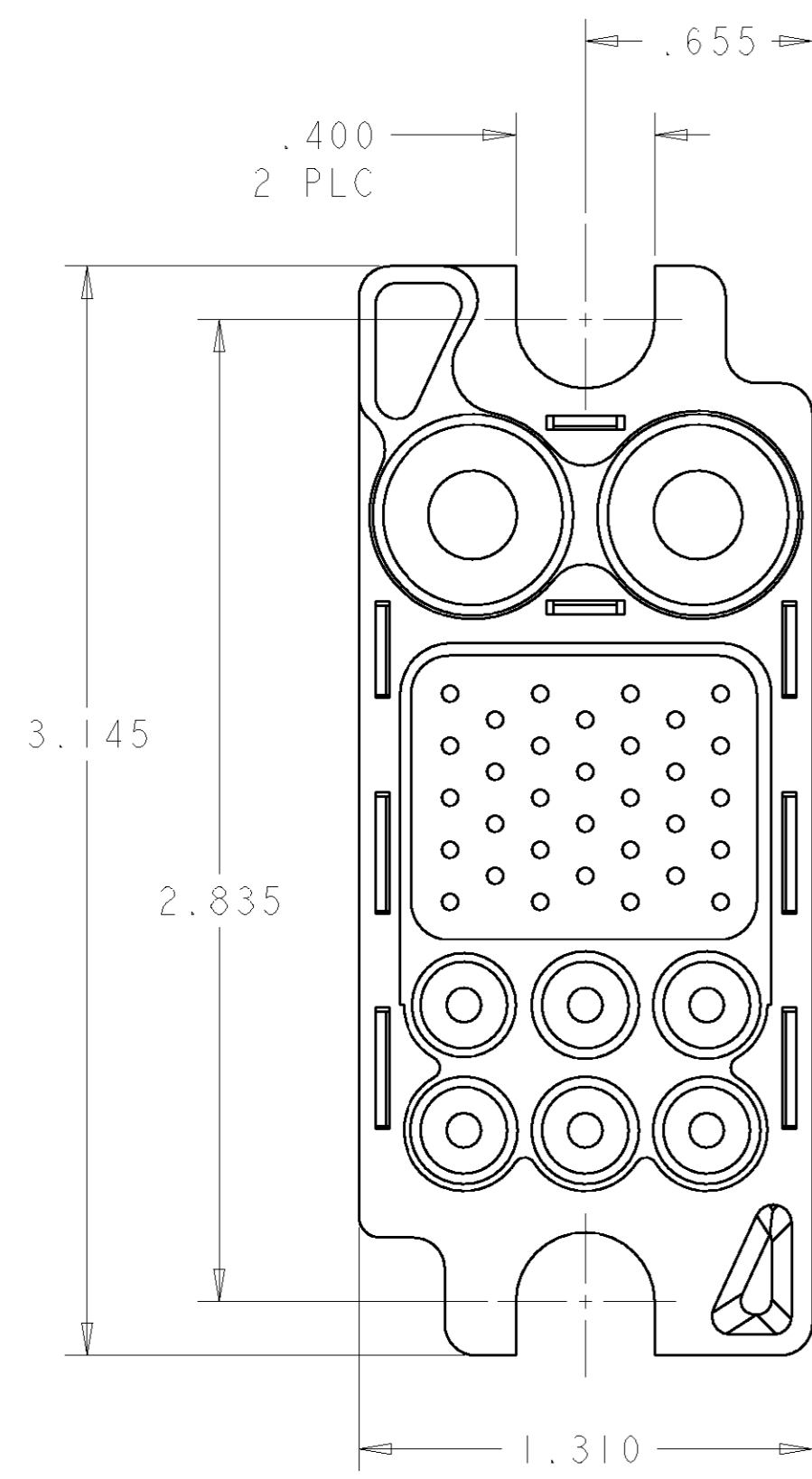


THIS DRAWING IS UNPUBLISHED. RELEASED FOR PUBLICATION 20  
 © COPYRIGHT 20 BY TYCO ELECTRONICS CORPORATION. ALL RIGHTS RESERVED.

LOC	DIST	REVISIONS					
GP	00	P	LTR	DESCRIPTION	DATE	DWN	APVD
		A		NEW RELEASE	26APR2007	RG	DO



1. PART NUMBER CHANGES AND OR DESIGN CHANGES AFFECTING THE INTERCHANGEABILITY REQUIRE PRIOR TYCO APPROVAL AND AUTHORIZATION BY REVISION TO THIS DRAWING.

2. MATERIAL:  
 INSULATOR: THERMOPLASTIC, GLASS REINFORCED, UL 94V-0 FLAMMABILITY RATED, COLOR: BLACK  
 RETENTION CLIP: BERYLLIUM COPPER OR STAINLESS STEEL

3 ITEMS PROVIDED TO THIS SPECIFICATION TO BE PERMANENTLY IDENTIFIED PER THE FOLLOWING IDENTIFIER:

YEAR WEEK

TYCO PART NUMBER  
 XXXXXXXX-X

DATE CODE (e.g. 0216)  
 XXXX

6	1650489-1	CLIP, RETENTION, #12	E
32	1650484-1	CLIP, RETENTION, #20	D
2	1650485-1	CLIP, RETENTION, #4	C
1	1648632-1	HOUSING, PIN, REAR	B
1	1648630-1	HOUSING, PIN, FRONT	A
-1	PART NUMBER	DESCRIPTION	ITEM

THIS DRAWING IS A CONTROLLED DOCUMENT FOR TYCO ELECTRONICS CORPORATION IT IS SUBJECT TO CHANGE AND THE CONTROLLING ENGINEERING ORGANIZATION SHOULD BE CONTACTED FOR THE LATEST REVISION.		DWN R.GRZYBOWSKI 26APR07 CHK D.ORRIS 26APR07 APVD S.FLICKINGER 26APR07	<b>tyco</b> Electronics Tyco Electronics Harrisburg, PA 17105-3608
DIMENSIONS: INCHES	TOLERANCES UNLESS OTHERWISE SPECIFIED: 0 PLC ± 1 PLC ± 2 PLC ±.01 3 PLC ±.006 4 PLC ± ANGLES ± FINISH	NAME PRODUCT SPEC APPLICATION SPEC WEIGHT	NAME CONNECTOR, PIN PCB MOUNT 125A MIDDLE DRAWER SIZE CAGE CODE DRAWING NO RESTRICTED TO A200779G-1648152 -
MATERIAL		CUSTOMER DRAWING	SCALE 2:1 SHEET 1 OF 1 REV A

**ELCON MIDDLE DRAWER**

单击下面可查看定价，库存，交付和生命周期等信息

[>>TE Connectivity\(泰科\)](#)