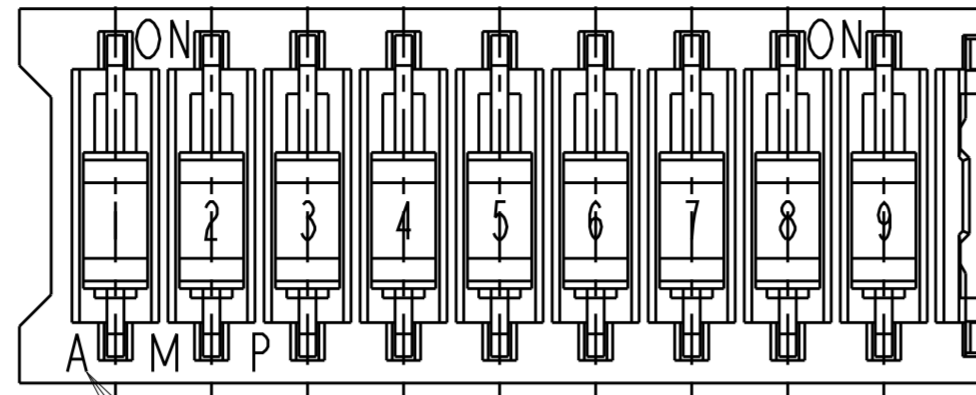


THIS DRAWING IS UNPUBLISHED. RELEASED FOR PUBLICATION
 © COPYRIGHT copyright.d8Te- ALL RIGHTS RESERVED.

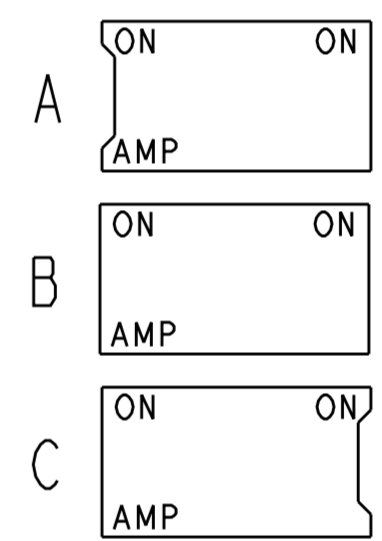
REVISIONS					
P	LTR	DESCRIPTION	DATE	DWN	APVD
C		REVISED PER ECO-13-015791	10OCT2013	KH	RH
D		REVISED PER ECO-18-011900	07SEP2018	SR	PO



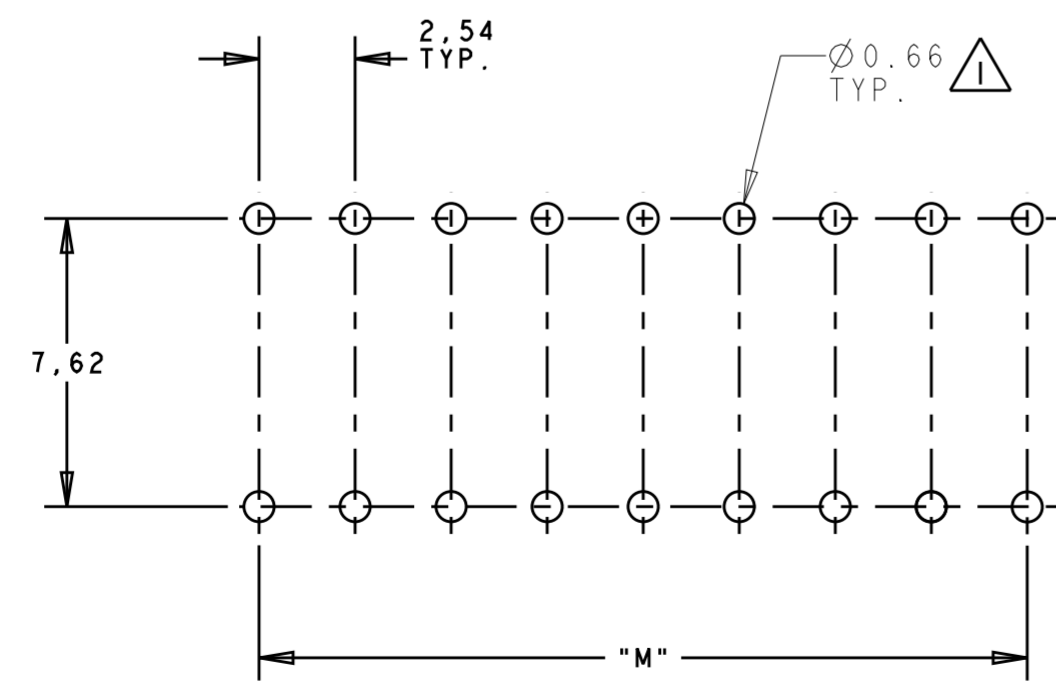
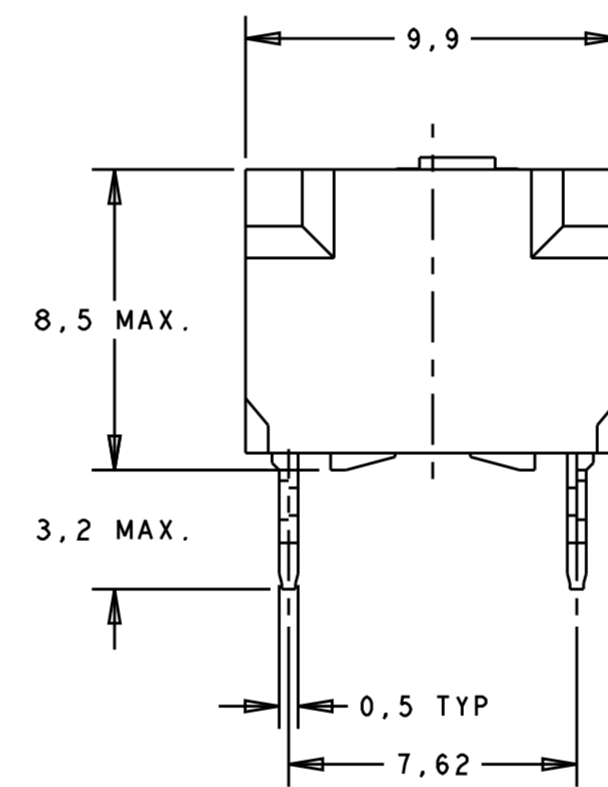
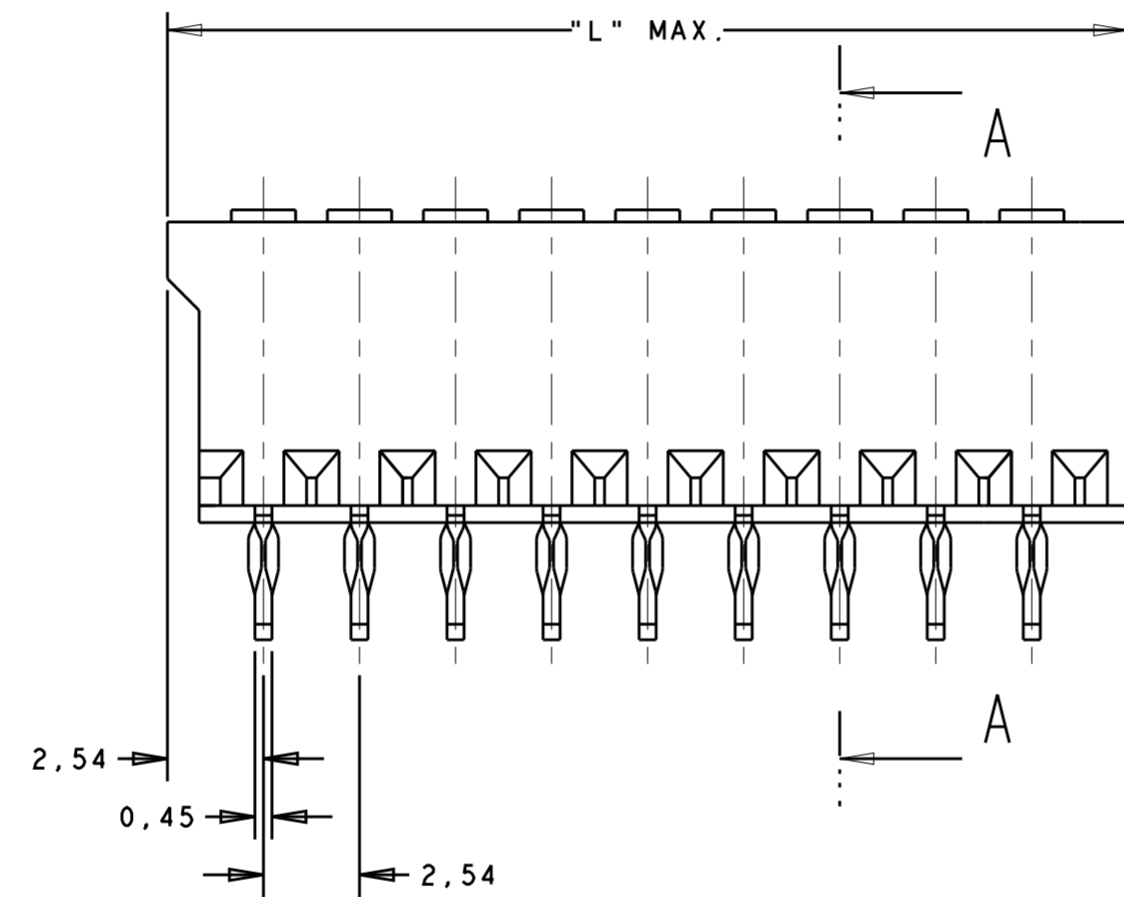
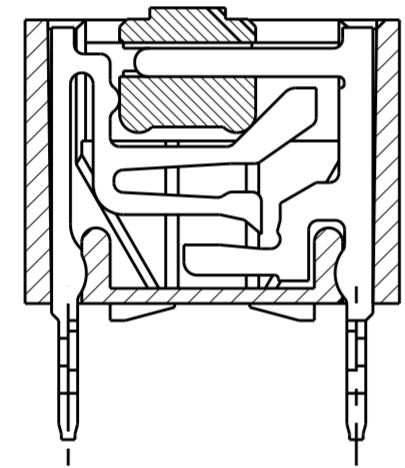
MATERIAL:
 HOUSING : 30% G.F. NYLON , COLOUR : NATURAL.
 ACTUATOR: 20% G.F. POLYESTER , COLOUR : RED.
 CONTACTS: PHOSPHOR-BRONZE.
 PLATING: 2,5µmTIN.

P.C.B. Hole Dim. Action-Pin	
Drilled hole:	0,75 ±0,025 mm
Fin. Hole:	0,6 to 0,72 mm
Cu-thickness:	0,025 to 0,05 mm
SN-thickness:	0,004 to 0,01 mm

SWITCH HOUSING MAY HAVE PROFILE A, B OR C.



SECTION A - A



RECOMMENDED P.C.B HOLE PATTERN.
 P.C.B THICKNESS : 1,6mm MIN.

PART NUMBER	NUMBER OF POSITIONS	"L" MAX.	"M"
0-5338048-1	1	5,08	-
0-5338048-2	2	7,62	2,54
0-5338048-3	3	10,16	5,08
0-5338048-4	4	12,70	7,62
0-5338048-5	5	15,24	10,16
0-5338048-6	6	17,78	12,70
0-5338048-7	7	20,32	15,24
0-5338048-8	8	22,86	17,78
0-5338048-9	9	25,40	20,32

OBSOLETE

THIS DRAWING IS A CONTROLLED DOCUMENT.		DWN SA008712 18SEP2007	STE TE Connectivity	
DIMENSIONS: mm		CHK -		
TOLERANCES UNLESS OTHERWISE SPECIFIED:		APVD -	NAME DIP SWITCH ACTION PIN VERSION	
0 PLC ±		PRODUCT SPEC -		
1 PLC ±		APPLICATION SPEC -	SIZE CAGE CODE DRAWING NO A200779 C-C-5338048	
2 PLC ±		WEIGHT -		
3 PLC ±		CUSTOMER DRAWING	RESTRICTED TO SCALE SHEET OF REV D	
4 PLC ±				
ANGLES ±				
FINISH -				

单击下面可查看定价，库存，交付和生命周期等信息

[>>TE Connectivity\(泰科\)](#)