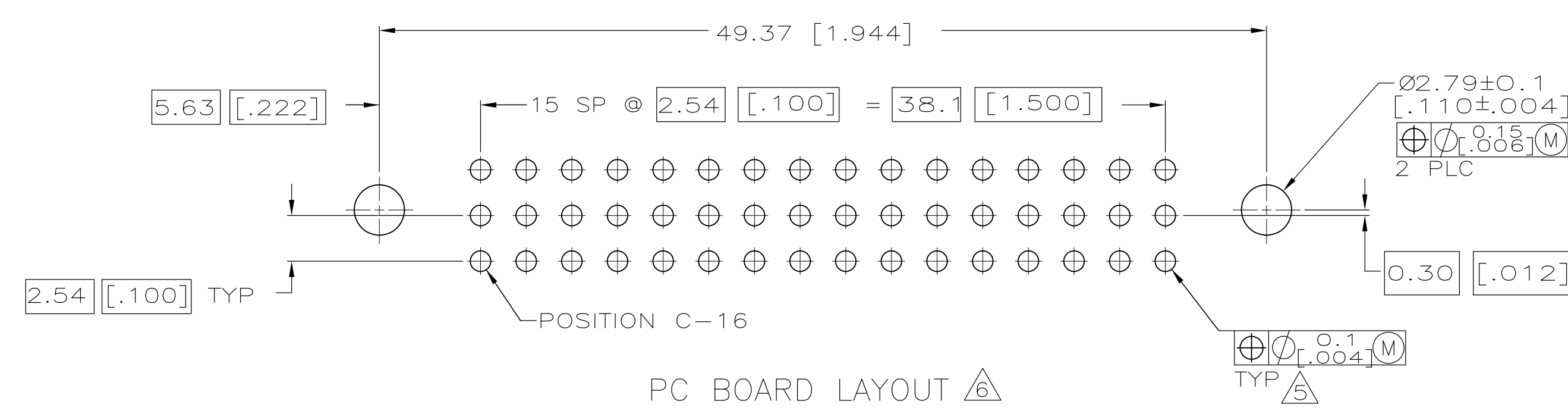
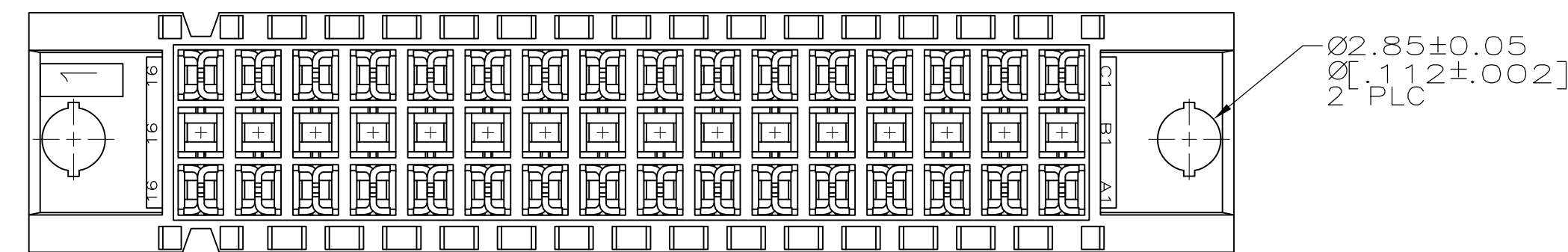
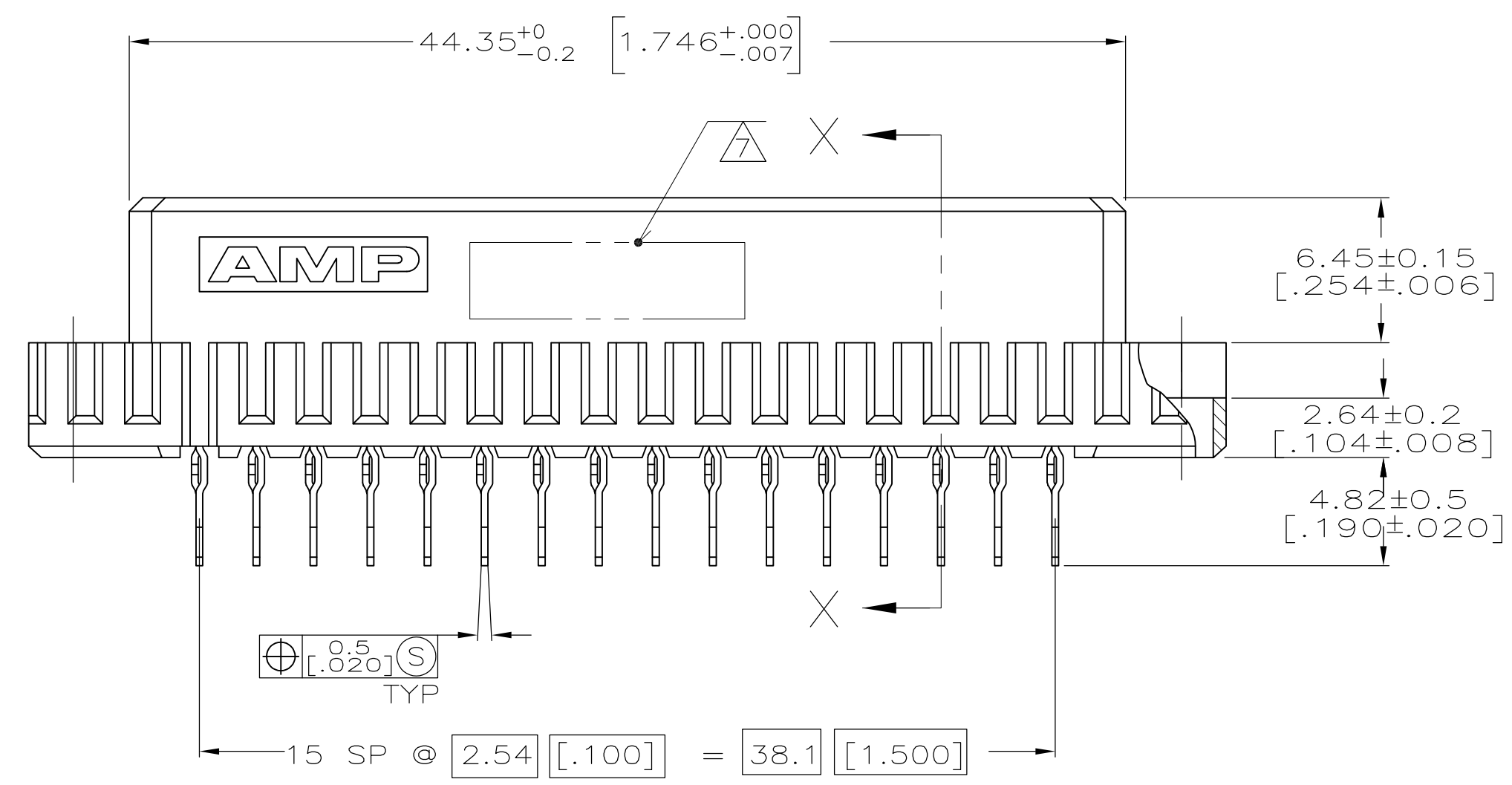
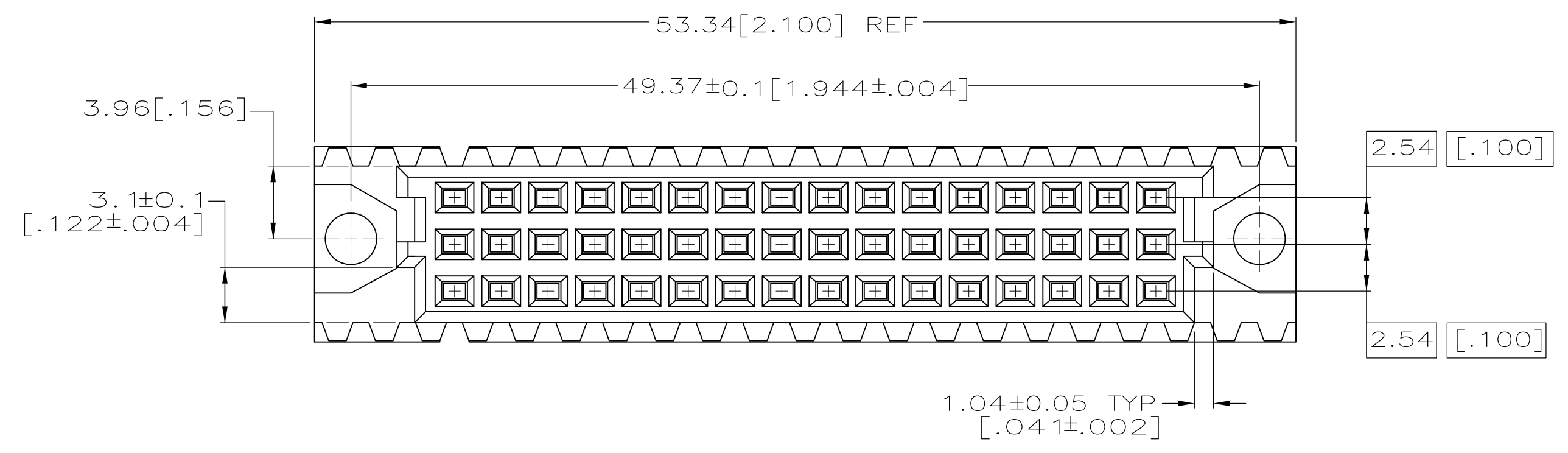
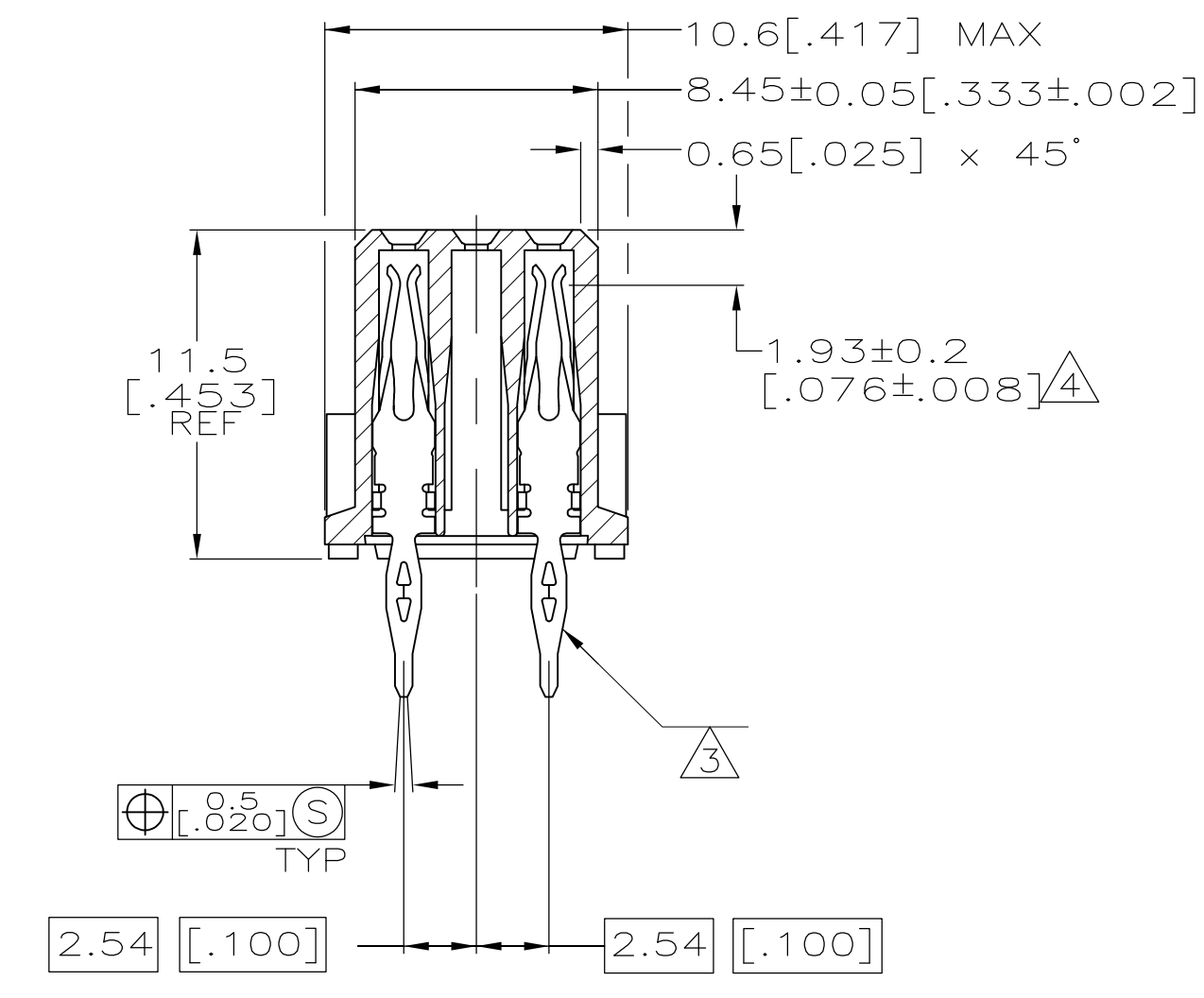


LOC	DIST	REVISIONS				
AD	25	REV	DESCRIPTION	DATE	BY	APPV
		A	RELEASE PER ECO-12-002590	20FEB2012	WS	RP



- △ HOUSING MATERIAL: GLASS-FILLED POLYMER.
- △ CONTACT MATERIAL: COPPER ALLOY.
- △ CONTACT FINISH: DIN 41612 CLASS 2 IN CONTACT AREA. TIN PLATE ON TAILS.
- △ CONTACT POINT.
- △ ACTION PIN POSTS REQUIRE 1.57[.062] MIN THICK PC BOARD. RECOMMENDED PC BOARD HOLES ARE Ø1.151±0.2[.0453±.001] DRILLED HOLE WITH 0.2-0.07[.001-.003] COPPER AND 0.008[.0003] MIN TIN-LEAD PLATING. FINISHED HOLE AFTER PLATING, Ø0.94-1.09[.037-.043].
- △ CENTER ROW OF PLATED THRU HOLES NOT REQUIRED FOR THIS CONNECTOR LOAD PATTERN.
- △ PART NUMBER, DATE CODE IDENTIFICATION, CSA LOGO IN THIS APPROXIMATE AREA, ON REVERSE SIDE.
- △ OBSOLETE PARTS: OBSOLETE CIS STREAMLINING PER D.RENAUD/D.SINISI



SECTION X-X

NOTES	POSITIONS LOADED	ROWS LOADED	NO. OF LOADED POSITION	ASSY PART NUMBER
△ OBSOLETE	1 THRU 16	X - X	32	5535068-5
	1 THRU 16	X - X	32	5535068-4

THIS DRAWING IS A CONTROLLED DOCUMENT.		DIN J. POLIGNONE 03JUN05	
DIMENSIONS: mm [INCHES]		CIRK A. SHARPE 03JUN05	
TOLERANCES UNLESS OTHERWISE SPECIFIED:		APVD A. SHARPE 03JUN05	
0 PLC ± -	1 PLC ± -	NAME	
2 PLC ± 0.13[.005]	3 PLC ± -	ASSEMBLY, RECEPTACLE, EUROCARD, 1/2C,	
4 PLC ± -	ANGLES ± -	A and C, 32/48 POSITION,	
MATERIAL		APPLICATION SPEC	
FINISH		SIZE CASE CODE DRAWING NO RESTRICTED TO	
		WEIGHT	
		A1 00779 C=5535068	
		CUSTOMER DRAWING SCALE 4:1 SHEET 1 OF 1 REV A	

单击下面可查看定价，库存，交付和生命周期等信息

[>>TE Connectivity\(泰科\)](#)