

4

3

2

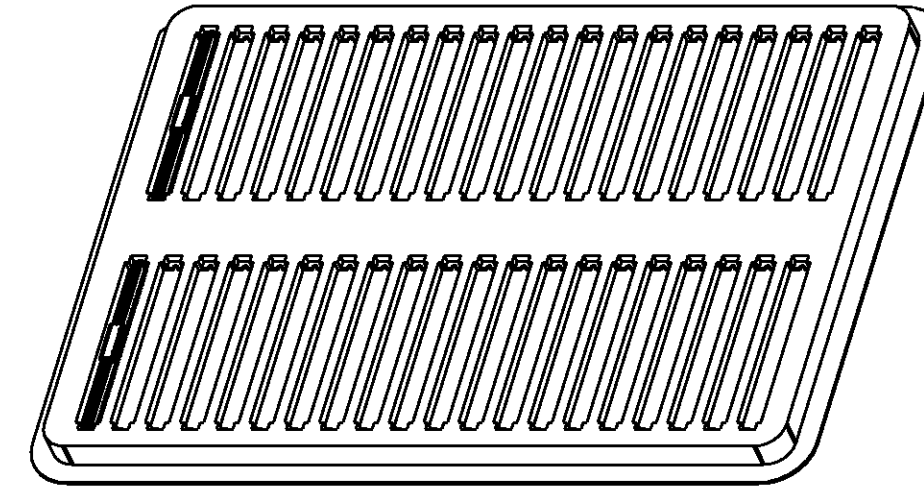
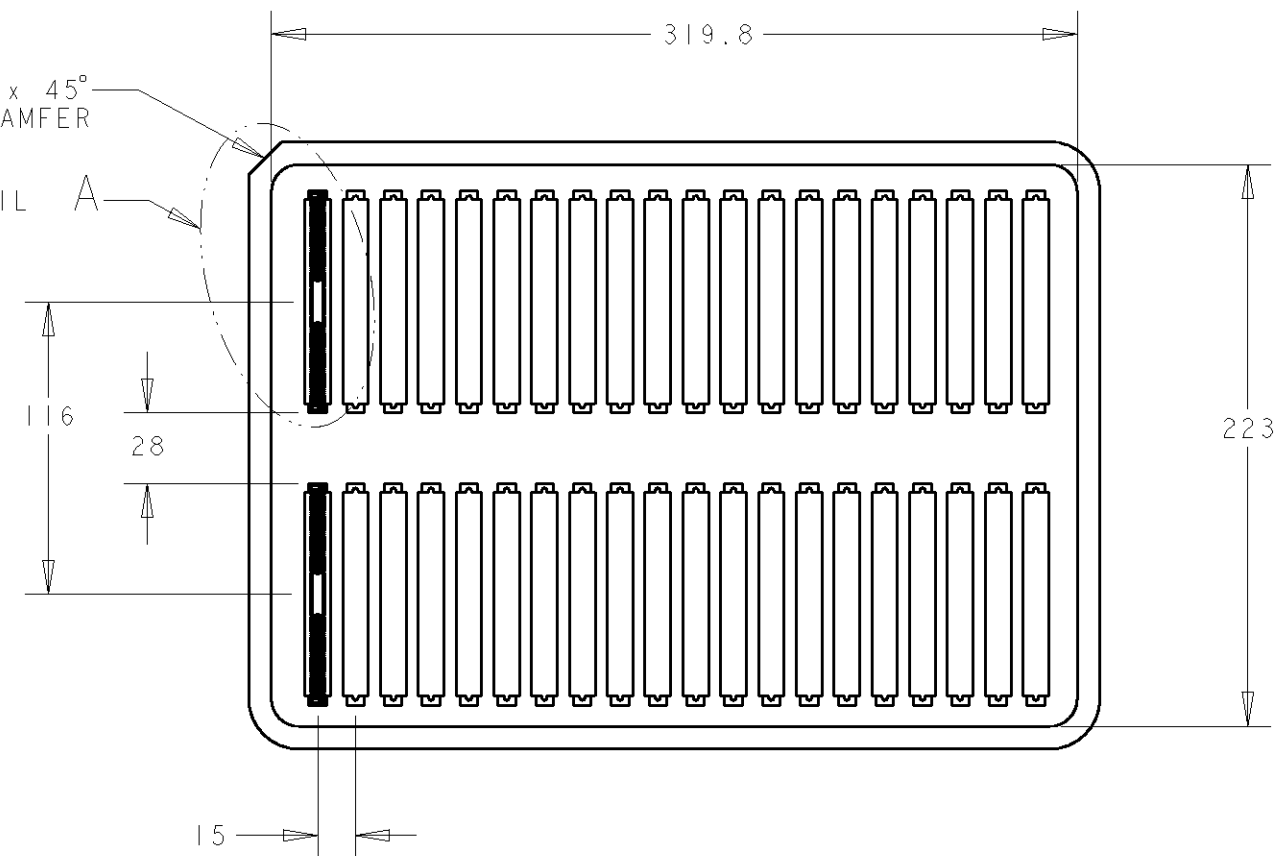
1

THIS DRAWING IS UNPUBLISHED. RELEASED FOR PUBLICATION .19
 © COPYRIGHT 19 BY AMP INCORPORATED. ALL RIGHTS RESERVED.

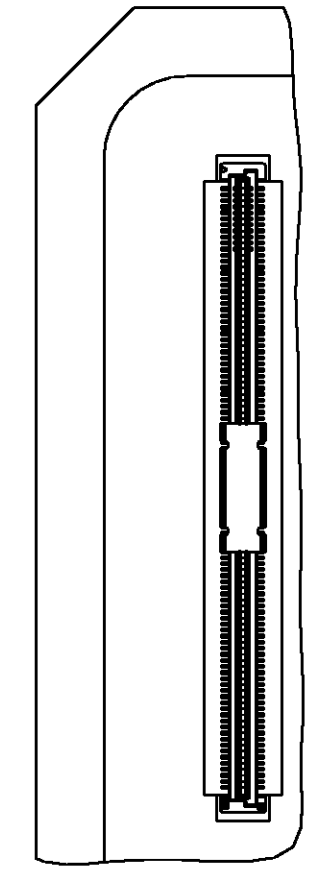
LOC	DIST	REVISIONS				
P	LTR	DESCRIPTION	DATE	DWN	APVD	
DY	-	0 NPR FP00-0274-04	9NOV04	LWY	VT	

013.0 x 13.0 x 45°
CHAMFER

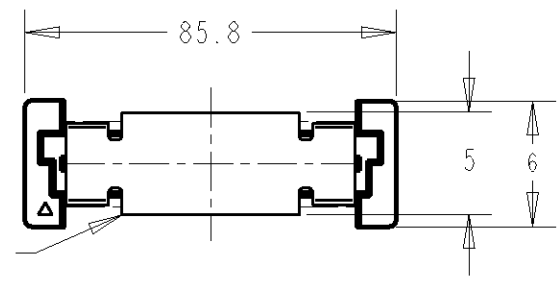
SEE DETAIL A



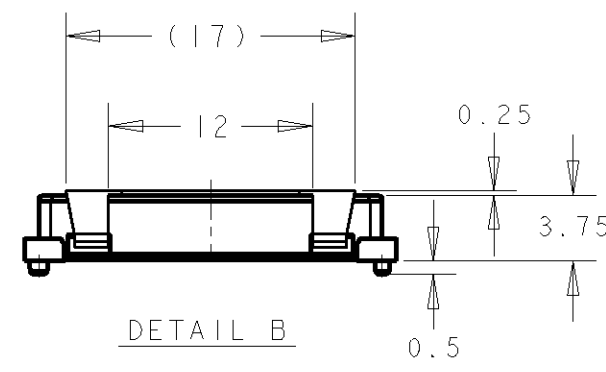
SCALE 1:3



DETAIL A
SCALE 1:1



STEEL COVER



DETAIL B

40	5H	1-5177983-0	200	1-6489906-0
QTY/TRAY	HEIGHT TYPE	CONN P/N	POS.	PART NO.

THIS DRAWING IS A CONTROLLED DOCUMENT FOR AMP INCORPORATED. IT IS SUBJECT TO CHANGE AND THE CONTROLLING ENGINEERING ORGANIZATION SHOULD BE CONTACTED FOR THE LATEST REVISION.		DWN WYLEE	9NOV04	tyco Tyco Electronics Electronics Mfg Singapore Pte. Ltd.	
DIMENSIONS: mm		CHK VINCENT TAN	APVD ERIC TNG	NAME REC A'SSY WITH STEEL COVER (TRAY PACK) FH 0.8mm PITCH B-T-B CONNECTOR 5H TYPE	
TOLERANCES UNLESS OTHERWISE SPECIFIED: 0 PLC ±- 1 PLC ±0.20 2 PLC ±0.25 3 PLC ±0.30 4 PLC ±- ANGLES ±3°		PRODUCT SPEC -	APPLICATION SPEC -	SIZE A3	CAGE CODE 00779
MATERIAL -	FINISH -	WEIGHT -	DRAWING NO 6489906		
CUSTOMER DRAWING			SCALE -	SHEET 1	OF 1
			REV 0		

单击下面可查看定价，库存，交付和生命周期等信息

[>>TE Connectivity\(泰科\)](#)