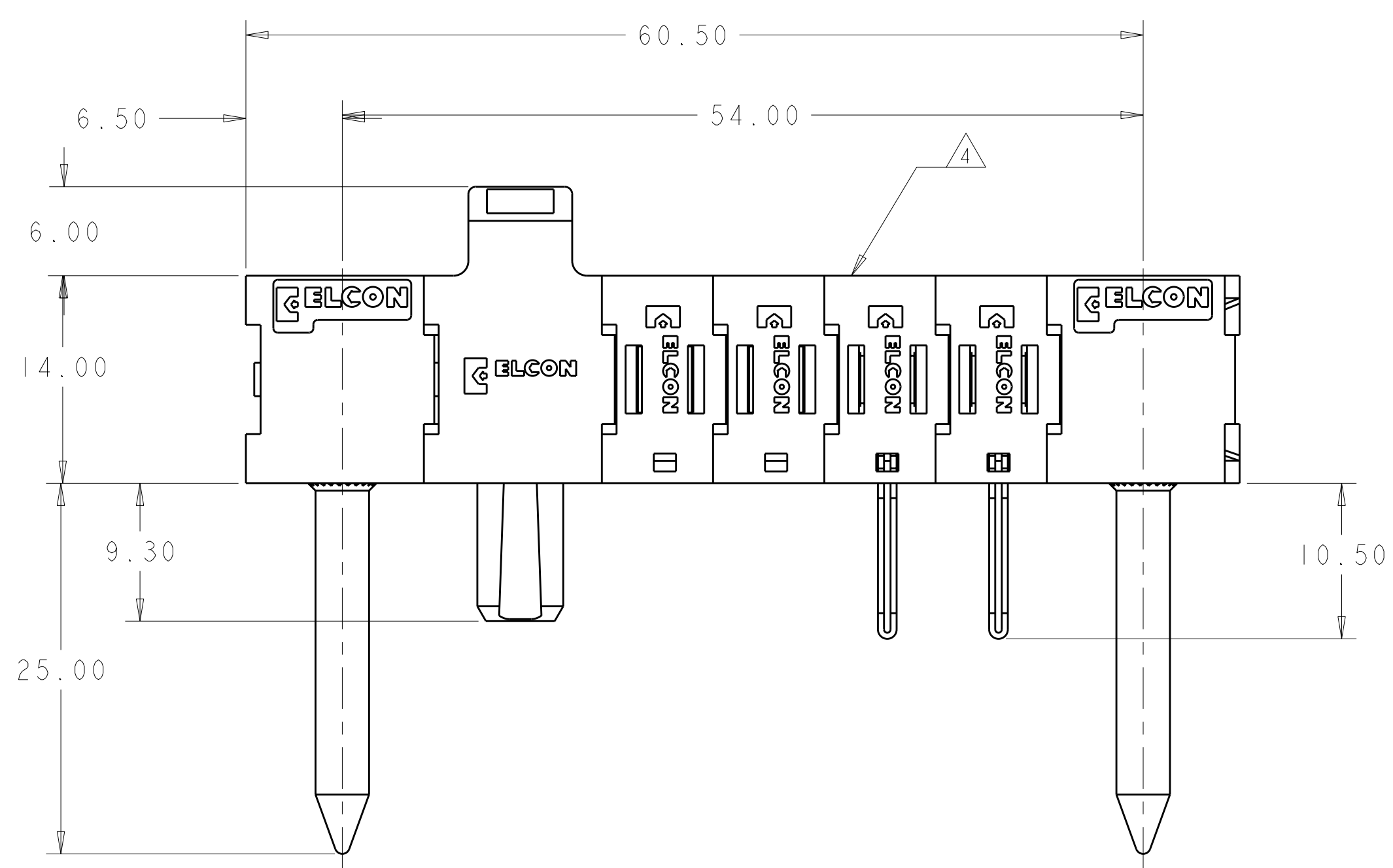


LOC	DIST	REV	DATE	DWN	APVD
-	-	A	14OCT2008	CR	PD
-	-	A1	22JAN2010	RG	MS

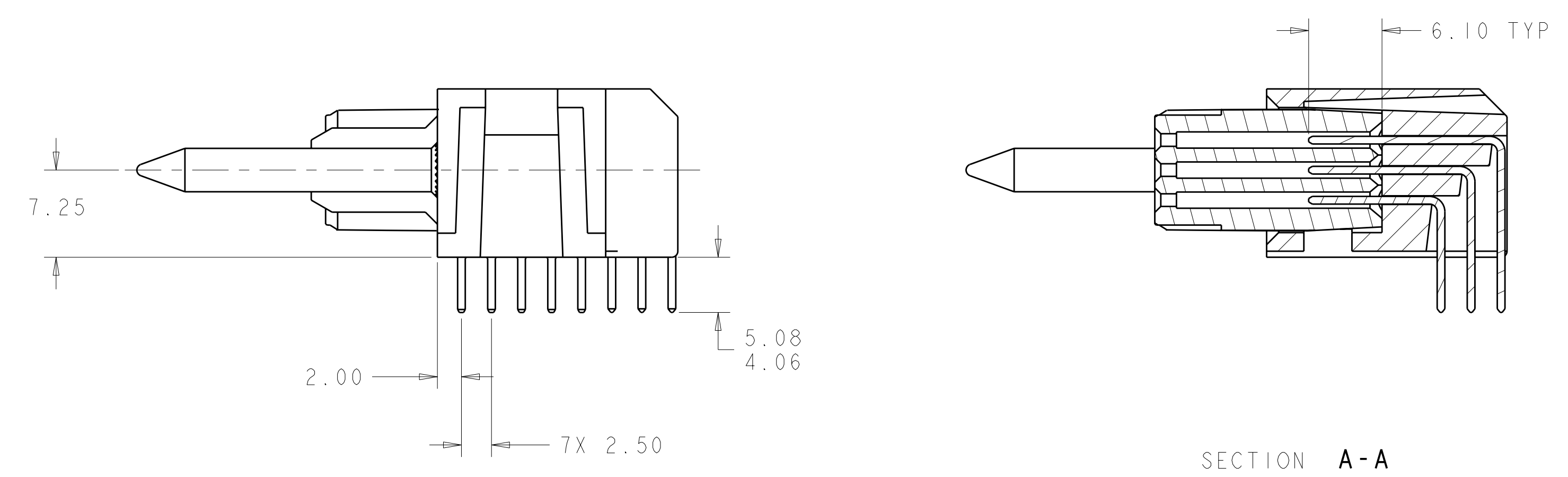
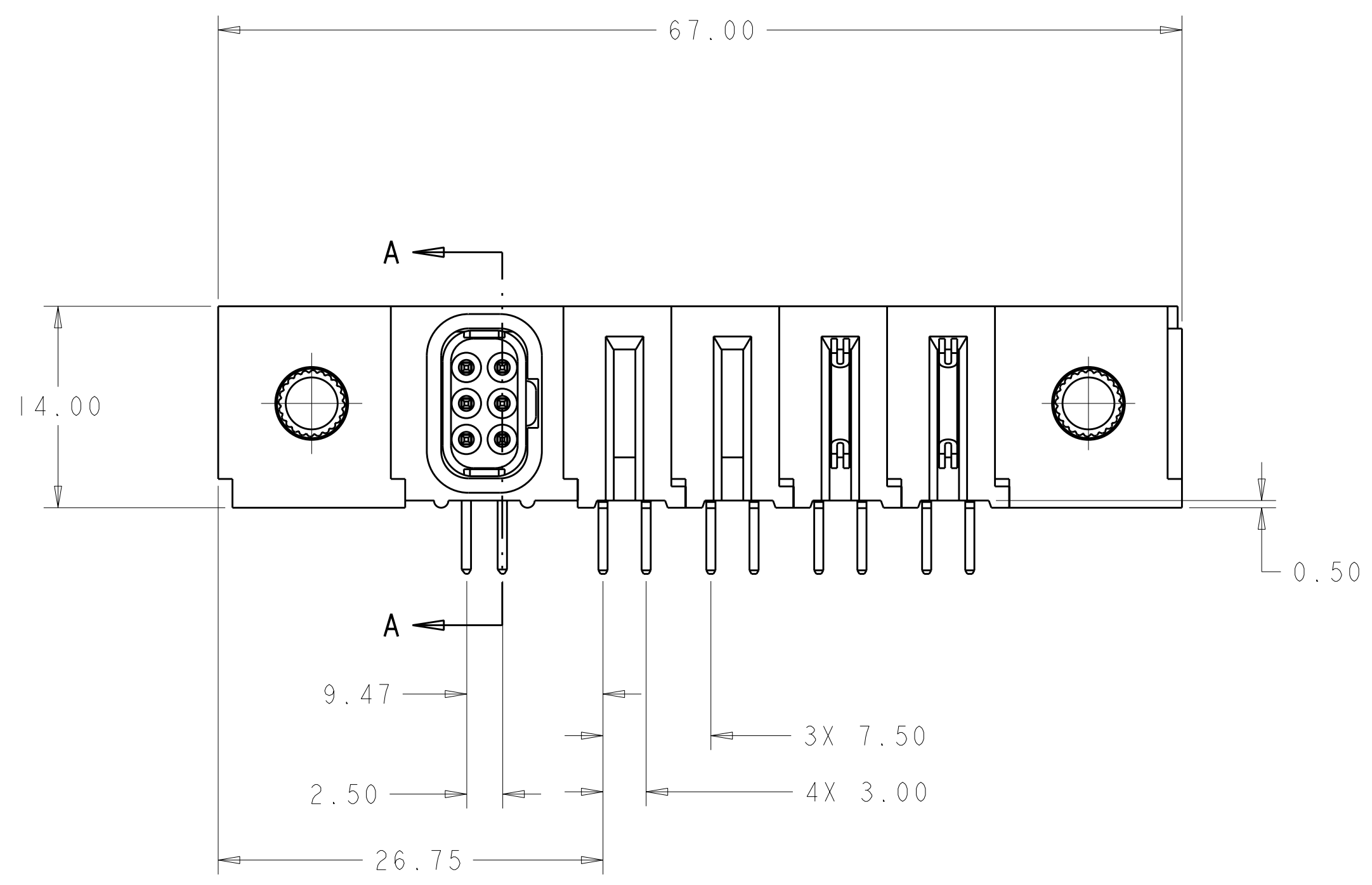


- PART NUMBER CHANGES AND OR DESIGN CHANGES AFFECTING ITEM INTERCHANGEABILITY REQUIRE PRIOR TYCO ELECTRONICS APPROVAL AND AUTHORIZATION BY REVISION TO THIS DRAWING.
- MATERIAL:
 - INSULATORS: THERMOPLASTIC, GLASS REINFORCED, COLOR: BLACK, UL94V-0 FLAMMABILITY RATED.
 - POWER CONTACTS: PHOSPHOR BRONZE ALLOY, COPPER ALLOY
 - SIGNAL CONTACT: PHOSPHOR BRONZE ALLOY
 - CROWN BAND: BERYLLIUM COPPER ALLOY
- FINISH:
 - CONTACTS: GOLD PLATE 0.76µm MIN. THK., OVER NICKEL 1.27µm MIN. THK
 - SOLDER TAILS: TIN 3.05µm MIN. THK. OVER NICKEL 1.27µm MIN THK.

△ ITEMS PROVIDED TO THIS SPECIFICATION TO BE PERMANENTLY IDENTIFIED PER THE FOLLOWING IDENTIFIER LABEL

YEAR WEEK

TYCO ELECTRONICS P/N: XXXXXXXX-X DATE CODE (e.g. 0106): XXXX

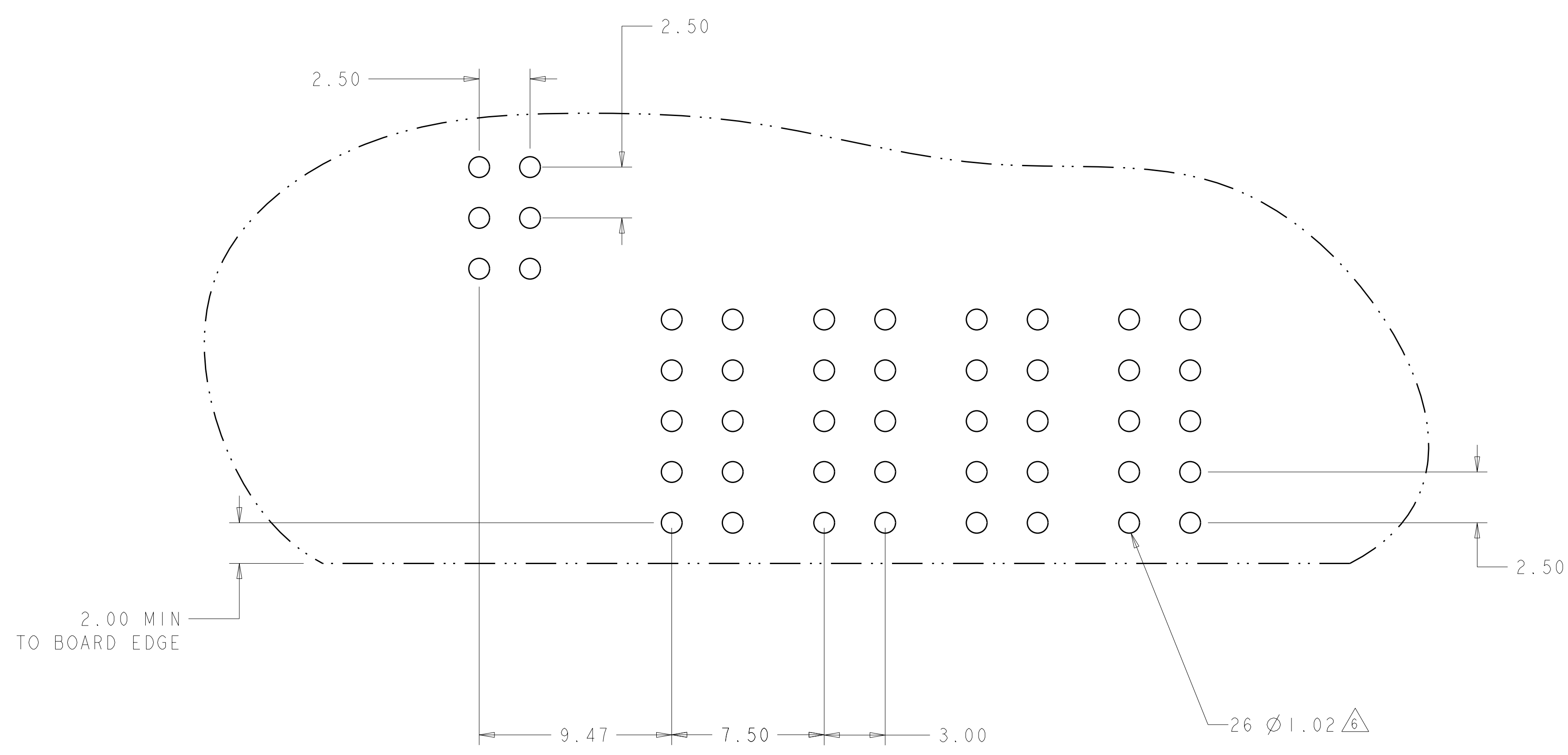


SECTION A-A

ELCON FLATPAQ

DIMENSIONS:		TOLERANCES UNLESS OTHERWISE SPECIFIED:		DWN: C. ROHLER 14OCT2008		AS SHOWN 2085010-1	
mm		0 PLC ±.5		CHK: P. DAMATO 14OCT2008		DESCRIPTION PART NO.	
Ø		1 PLC ±.5		APVD: M. PERCHERKE 14OCT2008		Tyco Electronics Tyco Electronics Harrisburg, PA 17105-3608	
∠		5 PLC ±.25		NAME: M. PERCHERKE		PRODUCT SPEC: -	
MATERIAL: -		FINISH: ±.5		APPLICATION SPEC: -		SIZE: CAGE CODE: DRAWING NO: RESTRICTED TO	
CUSTOMER DRAWING		WEIGHT: -		A100779C=2085010		SCALE: 1:1 SHEET 1 OF 3 REV: A1	

LOC	DIST	REV	DATE	BY	APPD
-	-	1	-	-	-
DESCRIPTION			DATE	DWN	APPD
SEE SHEET 1			-	-	-

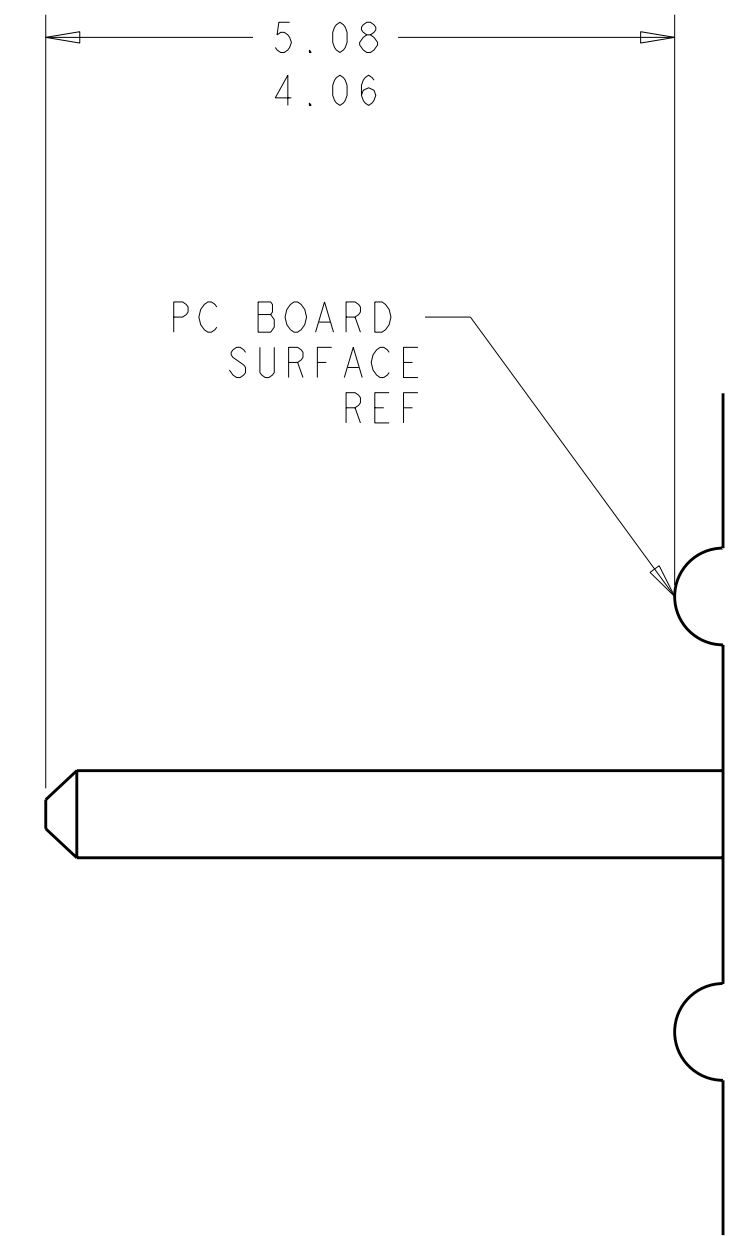


PRINTED CIRCUIT LAYOUT
 SCALE 6:1

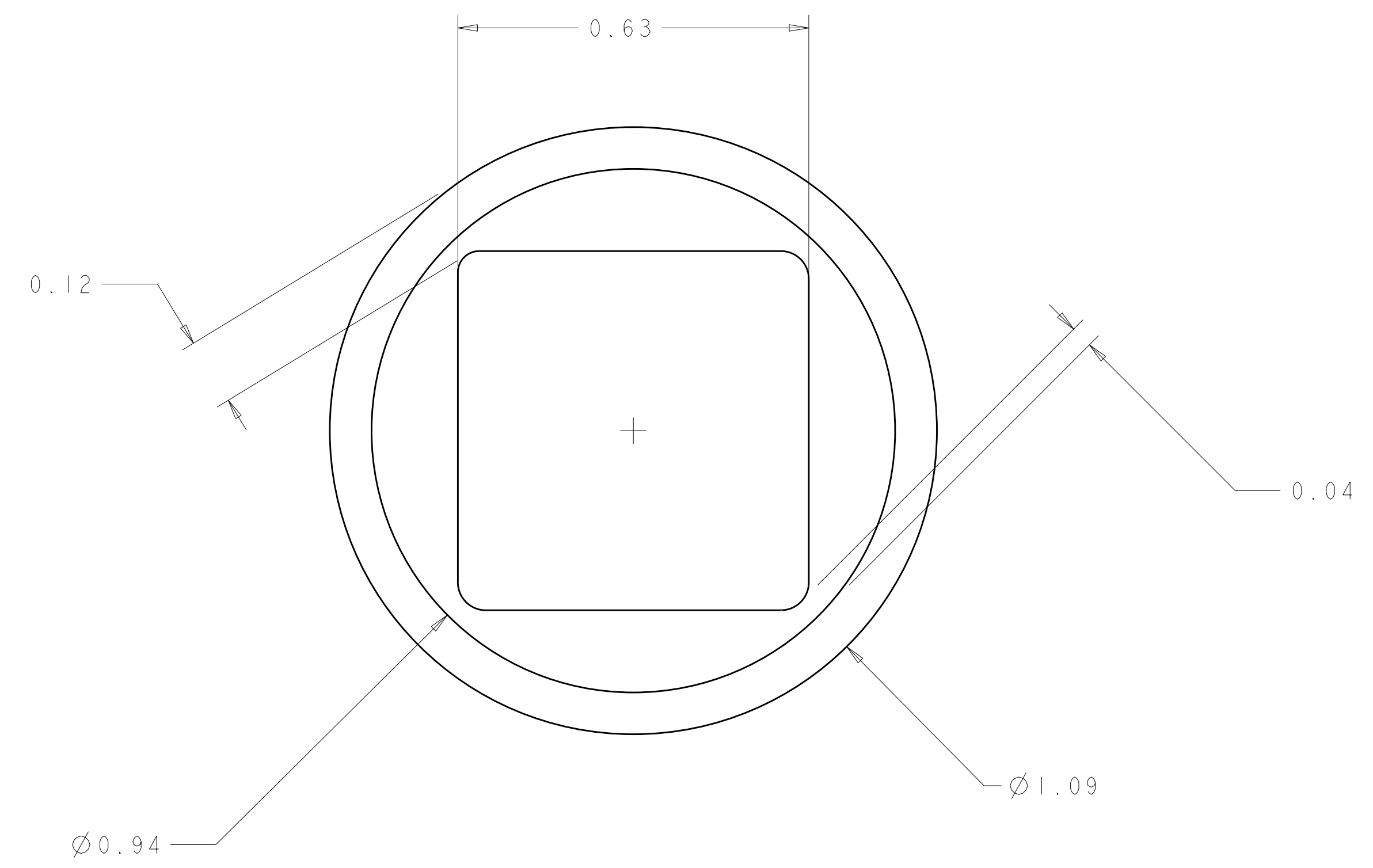
CONNECTOR	CATALOG MODULE #	QTY	SIZE NO.	CONTACT QTY	MATING PIN	MAX. CURRENT (PER CONTACT)	CONTACT SPACING	VOLTAGE RATING
PIN	FP105	2	8	4	1.25 X 7.00	35 amps	7.50	250 VOLTS
	FP104	2	8	4	1.25 X 7.00	3 amps	7.50	250 VOLTS
	FP315	1	22	24	.64 SQ.	3 amps	2.5	125 VOLTS
	FP507	2	GUIDE PIN, PASSIVE					

<small>THIS DRAWING IS UNPUBLISHED. RELEASED FOR PUBLICATION 20. COPYRIGHT 20 BY TYCO ELECTRONICS CORPORATION, ALL RIGHTS RESERVED.</small> <small>THIS IS SUBJECT TO CHANGE WITHOUT NOTICE AND WITHOUT OBLIGATION TO BE CONTACTED FOR THE LATEST REVISION.</small>		DWN C. ROHLER 14OCT2008 CHK P. DAMATO 14OCT2008 APPD M. PERCHERKE 14OCT2008	Tyco Electronics Harrisburg, PA 17105-3608
DIMENSIONS: mm 	TOLERANCES UNLESS OTHERWISE SPECIFIED: 0 PLC ±.5 1 PLC ±.5 2 PLC ±.25 3 PLC ±.5 4 PLC ±.5 ANGLES ±.5 FINISH	NAME PRODUCT SPEC APPLICATION SPEC WEIGHT CUSTOMER DRAWING	NAME - FLATPAQ SIZE CAGE CODE DRAWING NO A 100779 C=2085010 SCALE 1:1 SHEET 2 OF 3 REV A1

LOC	DIST	REV	DATE	BY	APPD
-	-	1	-	-	-
DESCRIPTION			DATE	DWN	APPD
SEE SHEET 1			-	-	-



5. SOLDER TAIL DETAIL
SCALE 10:1



6. SOLDER TERMINATION AREA
 SCALE 40:1
 RECOMMENDED PRINTED CIRCUIT SOLDER HOLE
 FINISHED HOLE: Ø1.02 ±.08
 DRILLED HOLE: Ø1.15 ±.013
 COPPER PLATE: .025 MIN
 TIN PLATE: .008 MIN. (PER SURFACE)

<small>THIS DRAWING IS UNPUBLISHED. RELEASED FOR PUBLICATION BY TYCO ELECTRONICS CORPORATION. ALL RIGHTS RESERVED.</small> <small>THIS IS SUBJECT TO CHANGE WITHOUT NOTICE AND WITHOUT OBLIGATION. SHOULD BE CONTACTED FOR THE LATEST REVISION.</small>		DWN C. ROHLER 14OCT2008 CHK P. DAMATO 14OCT2008 APVD M. PERCHERKE 14OCT2008	Tyco Electronics Harrisburg, PA 17105-3608
DIMENSIONS: mm 	TOLERANCES UNLESS OTHERWISE SPECIFIED: 0 PLC ±.5 1 PLC ±.5 2 PLC ±.25 3 PLC ±.5 4 PLC ±.5 ANGLES ±.5 FINISH	NAME - PRODUCT SPEC - APPLICATION SPEC - WEIGHT - CUSTOMER DRAWING	SIZE A CAGE CODE 100779 DRAWING NO C=2085010 RESTRICTED TO - SCALE 3:1 SHEET 3 OF 3 REV A1

单击下面可查看定价，库存，交付和生命周期等信息

[>>TE Connectivity\(泰科\)](#)