

THIS DRAWING IS UNPUBLISHED. RELEASED FOR PUBLICATION 20
 © COPYRIGHT 20 BY TYCO ELECTRONICS CORPORATION. ALL RIGHTS RESERVED.

LOC	DIST	REVISIONS					
CE	16	P	LTR	DESCRIPTION	DATE	DWN	APVD
			1	PPR 05-605	16JUN05	KG	DW
			A	ECR-08-023519	17SEP2008	KG	DW
			B	ECR-19-008989	17JUN2019	TS	DW

D

C

B

A

D

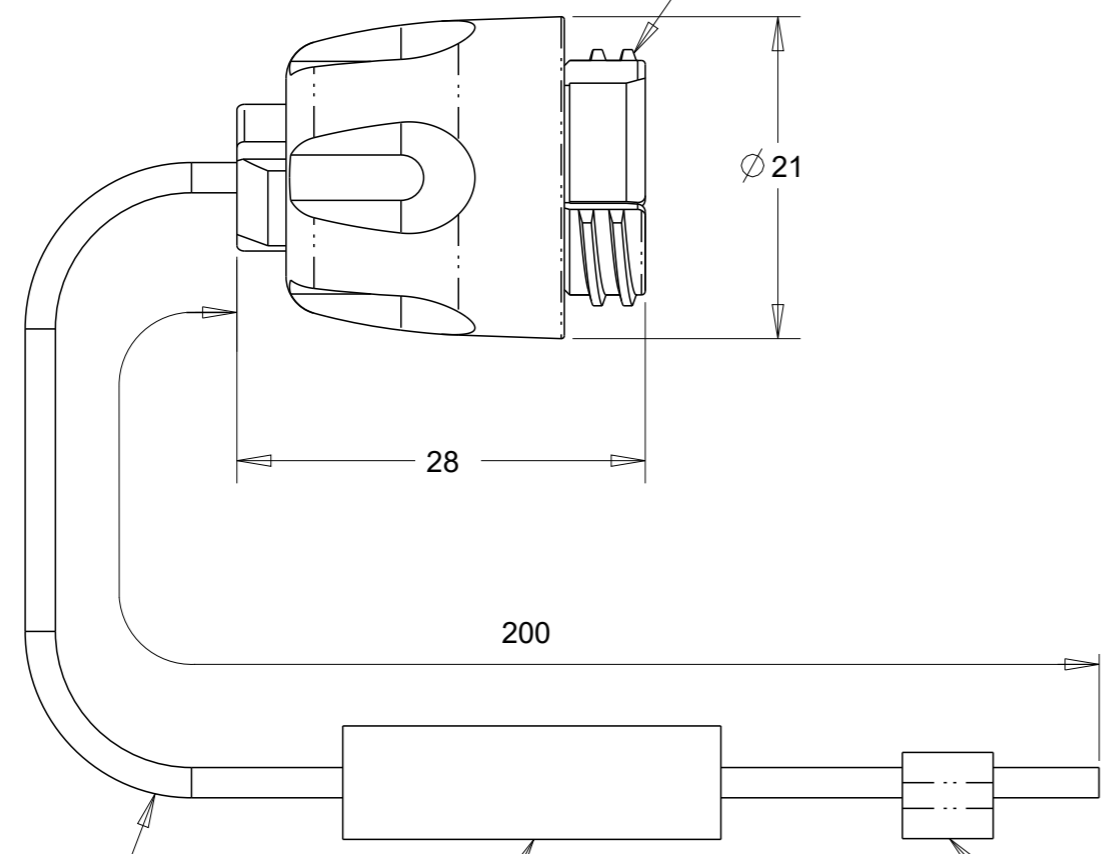
C

B

A

CAP GRIP
MAT'L: THERMOPLASTIC

CAP BODY
MAT'L: THERMOPLASTIC



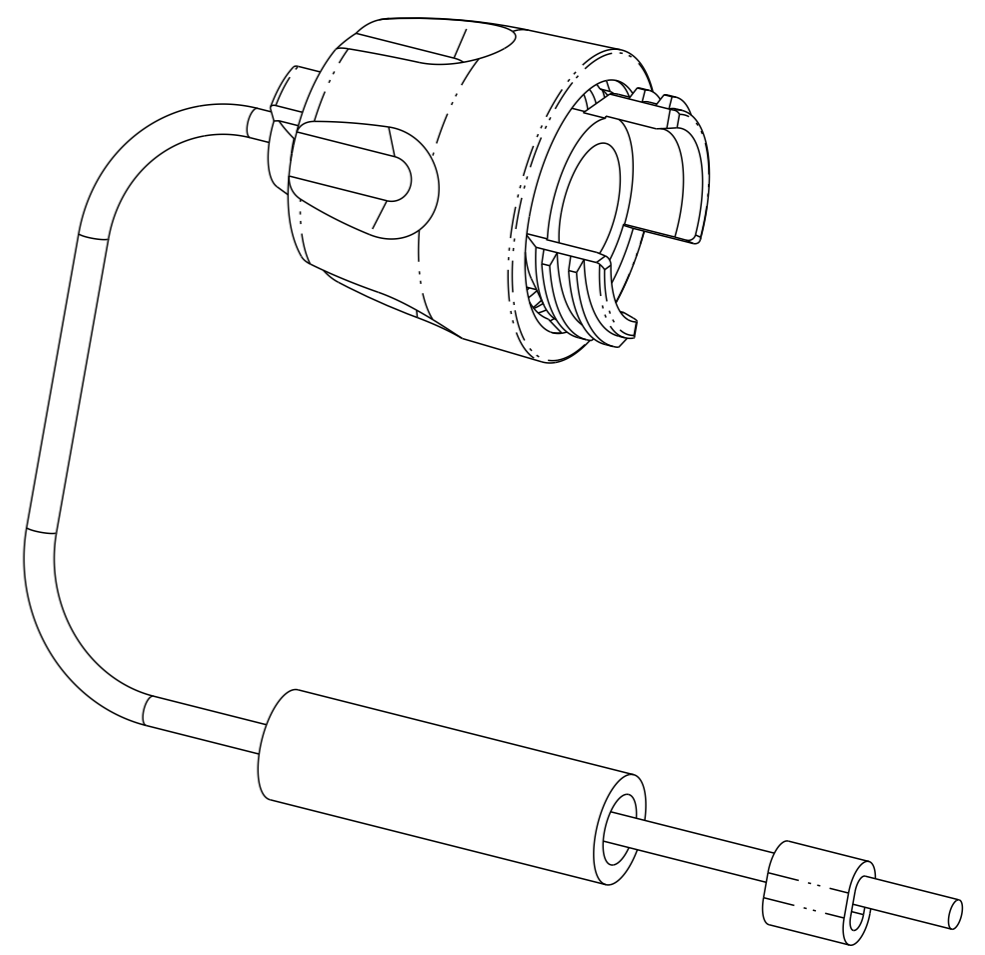
TETHER
MAT'L: PLASTICOATED
STEEL WIRE

SHRINK TUBE
MAT'L: POLYOLEFIN

CRIMP SLEEVE
MAT'L: ALUMINIM ALLOY

1. ALL DIMENSIONS ARE FOR REFERENCE ONLY.

2 TO BE COMPLETED BY END USER DURING CONNECTOR ASSEMBLY.



1828624-1
PART NUMBER

<small>THIS DRAWING IS A CONTROLLED DOCUMENT FOR TYCO ELECTRONICS CORPORATION IT IS SUBJECT TO CHANGE AND THE CONTROLLING ENGINEERING ORGANIZATION SHOULD BE CONTACTED FOR THE LATEST REVISION.</small>		DWN 13JUN2005 K. GLATFELTER CHK 14JUN2005 D. WERTMAN APVD 16JUN2005 D. WERTMAN PRODUCT SPEC - APPLICATION SPEC - WEIGHT -		Tyco Electronics Harrisburg, PA 17105-3608 NAME PROTECTIVE CAP ASS'Y, PLUG PRO BEAM MINI	
DIMENSIONS: mm 	TOLERANCES UNLESS OTHERWISE SPECIFIED: 0 PLC ±- 1 PLC ±- 2 PLC ±- 3 PLC ±- 4 PLC ±- ANGLES ±- FINISH -	SIZE A3 CAGE CODE 00779 DRAWING NO C-1828624	RESTRICTED TO	SCALE NTS	SHEET 1 OF 1 REV B
MATERIAL -		CUSTOMER DRAWING			

单击下面可查看定价，库存，交付和生命周期等信息

[>>TE Connectivity\(泰科\)](#)