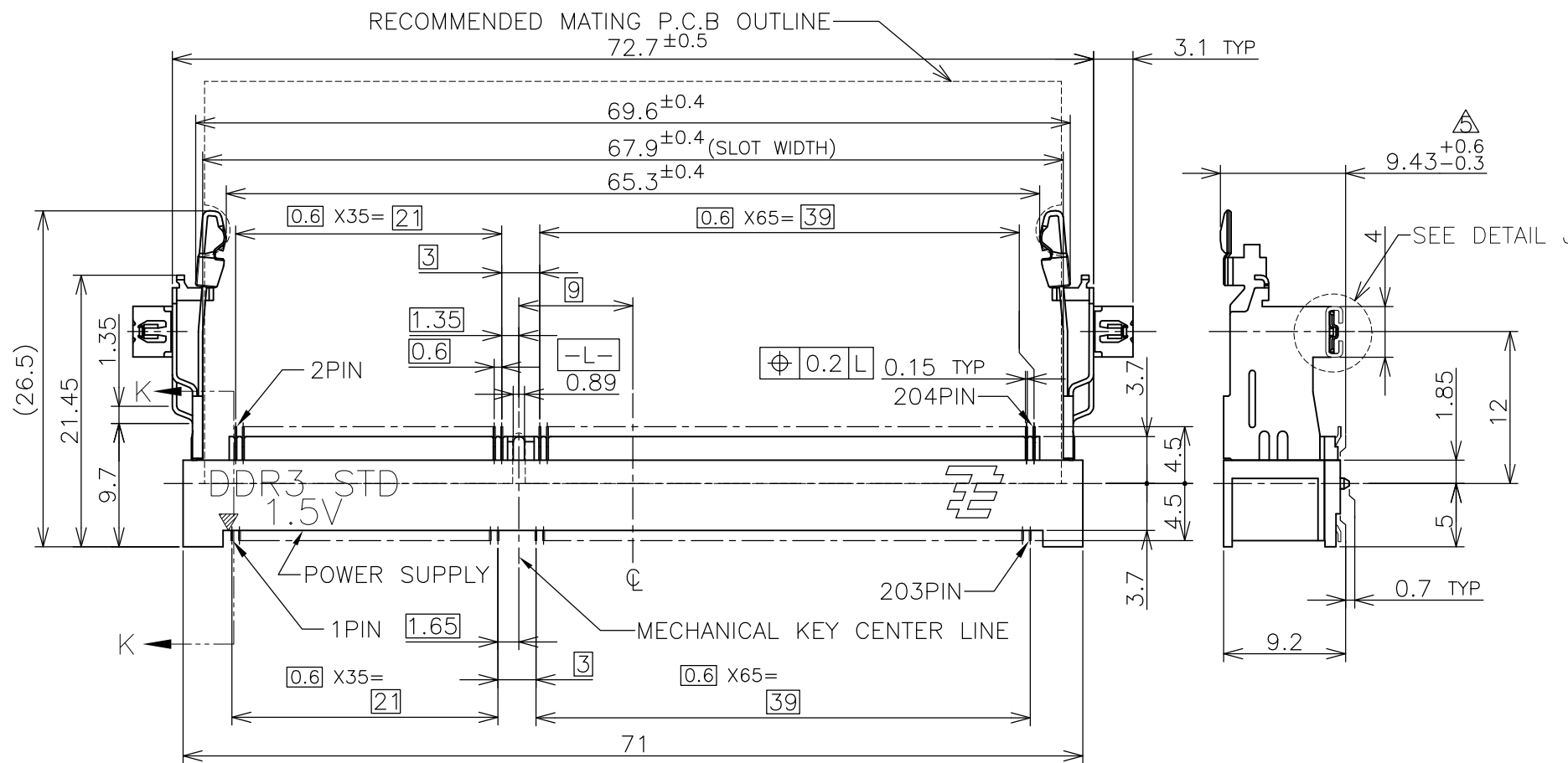
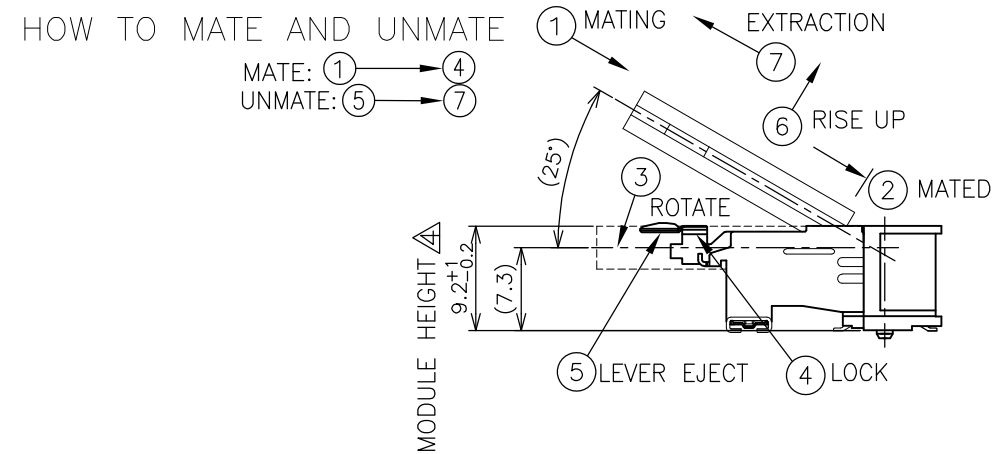
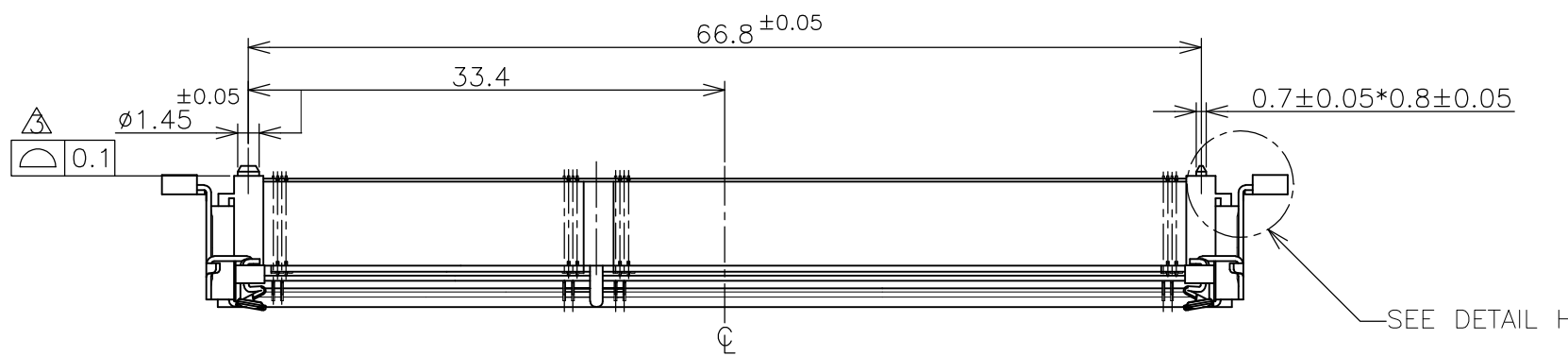
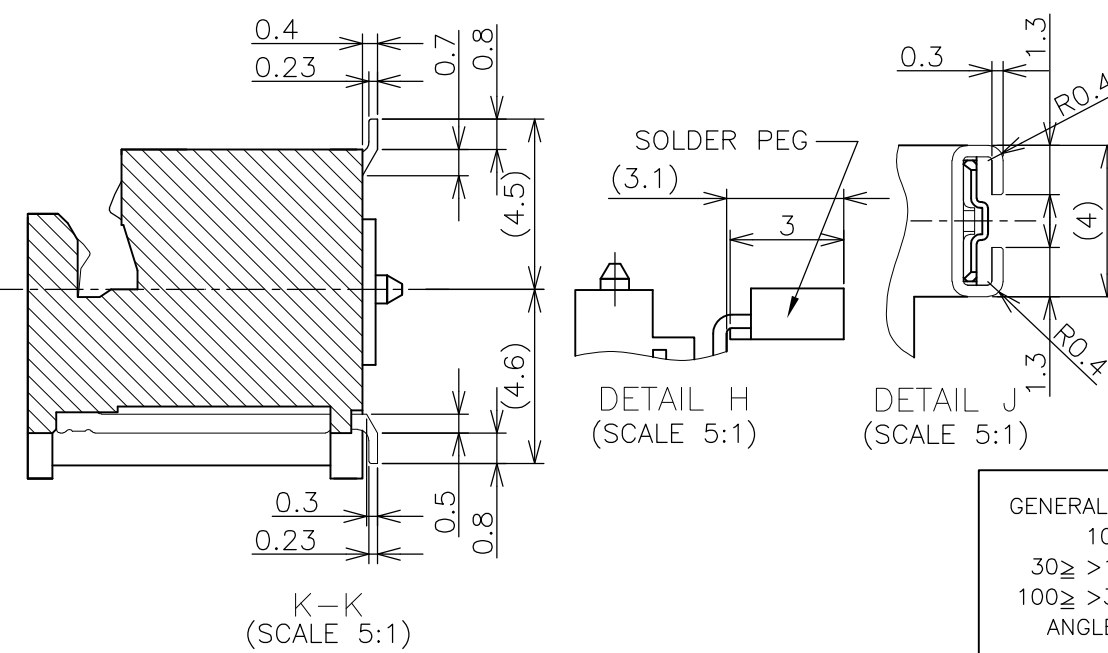


LOC	DIST	REVISIONS			
P	LTR	DESCRIPTION	DATE	DWN	APVD
ES					
C		REVISED PER ECR-12-004002	01MAR2012	W.W	C.W




- (APPLIED TO SHEET 1-2)
- MATERIAL ; HOUSING: HIGH TEMPERATURE THERMO PLASTIC UL94V-0
COLOR: SEE TABLE
CONTACT: COPPER ARROY
LOCK LEVER: STAINLESS STEEL
PEG: COPPER ARROY
 1. FINISH ; CONTACT AREA: GOLD FLASH ALL OVER NICKEL.
SOLDERING AREA: GOLD FLASH PLATING
PEG: MATTE TIN PLATING.
 2. FINISH ; CONTACT AREA: 0.000254MIN GOLD ALL OVER NICKEL.
SOLDERING AREA: GOLD FLASH PLATING
PEG: MATTE TIN PLATING.
- ⚠ COPLANARITY: 0.1 MAX. (BEFORE SOLDERING)
⚠ THE FLOATING VALUE BY SOLDERING IS NOT INCLUDED.
⚠ NOT MATING CONDITION.
6. IF THE MODULE DOESN'T INSERT AND LOCK IN THE LATCH SMOOTHLY, OPEN WIDE BOTH LATCHES BY MANUAL. AND THE MODULE MUST BE INSERTED AND LOCKED IN THE LATCH.



TOOLING STATUS	PACKAGING TYPE	REMARK	HOUSING COLOR	FINISH	POWER SUPPLY	POS	PART NO.
AVAILABLE	EMBOSS (SEE SHEET 4)	WITHBOSS	BLACK	NOTE 2-2	1.5V	204	1932209-2
AVAILABLE	EMBOSS (SEE SHEET 4)	WITHBOSS	BLACK	NOTE 2-1	1.5V	204	1932209-1

THIS DRAWING IS A CONTROLLED DOCUMENT.

DWN	C.KEVIN	19NOV2008		TE Connectivity	
CHK	W.COREL	13JAN2009		NAME	
APVD	Y.STEVEN	13JAN2009	PRODUCT SPEC		108-78493
APPLICATION SPEC			DRAWING NO		C-1932209
WEIGHT	6.60 g	A300779	RESTRICTED TO	-	
CUSTOMER DRAWING		SCALE	2:1	SHEET	1 OF 4
		REV	C		

GENERAL TOLERANCE
 10 ≥ : ± 0.2
 30 ≥ > 10 : ± 0.25
 100 ≥ > 30 : ± 0.3
 ANGLES : ± 3°

THIS DRAWING IS UNPUBLISHED.

RELEASED FOR PUBLICATION SEP , 2007.

LOC ES DIST

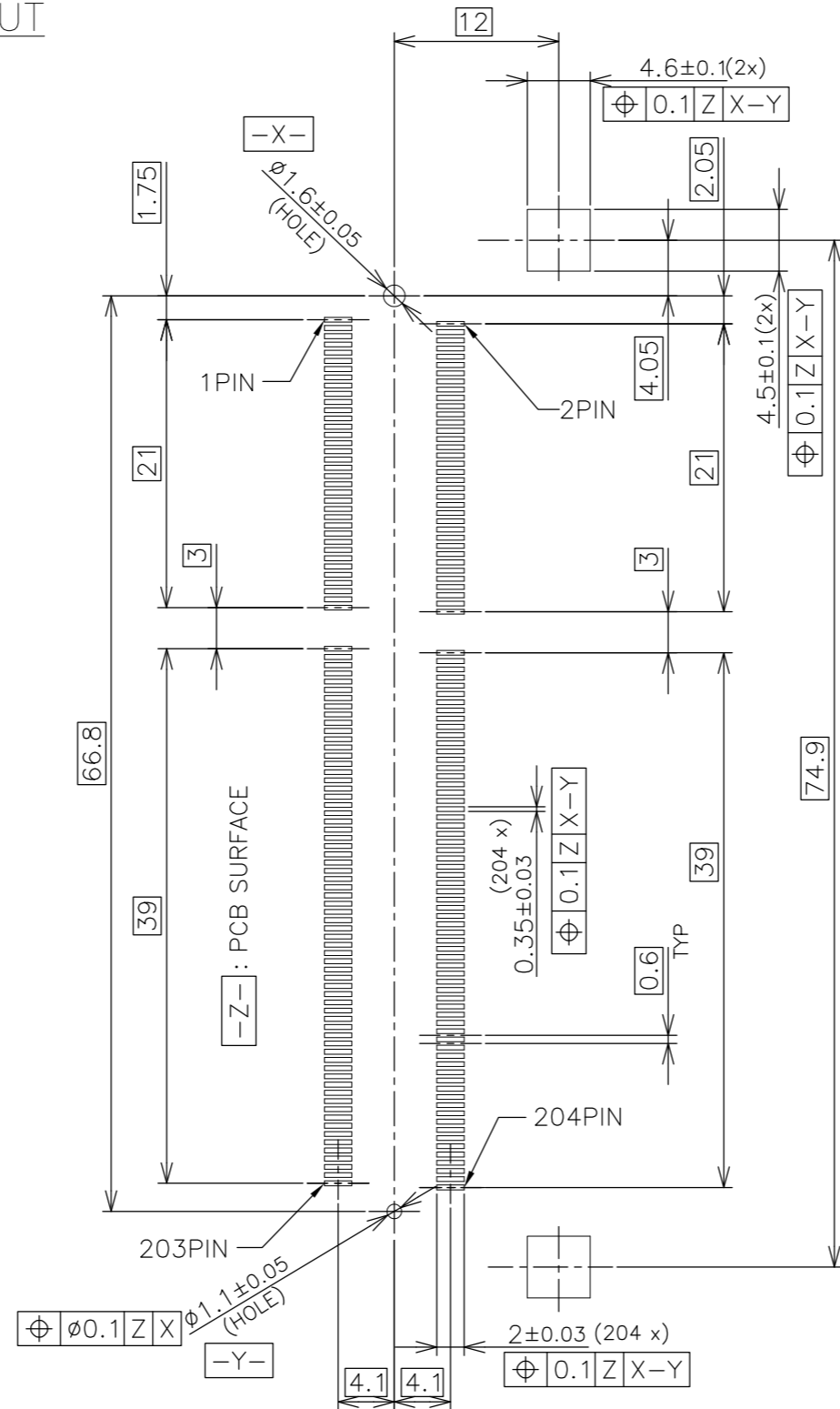
REVISIONS

© COPYRIGHT 2007 By -

ALL RIGHTS RESERVED.

P	LTR	DESCRIPTION	DATE	DWN	APVD
-	-	SEE SHEET 1	-	-	-

REFERENCE P.C.BOARD PATTERN LAYOUT (CONNECTOR MOUNTING SIDE)

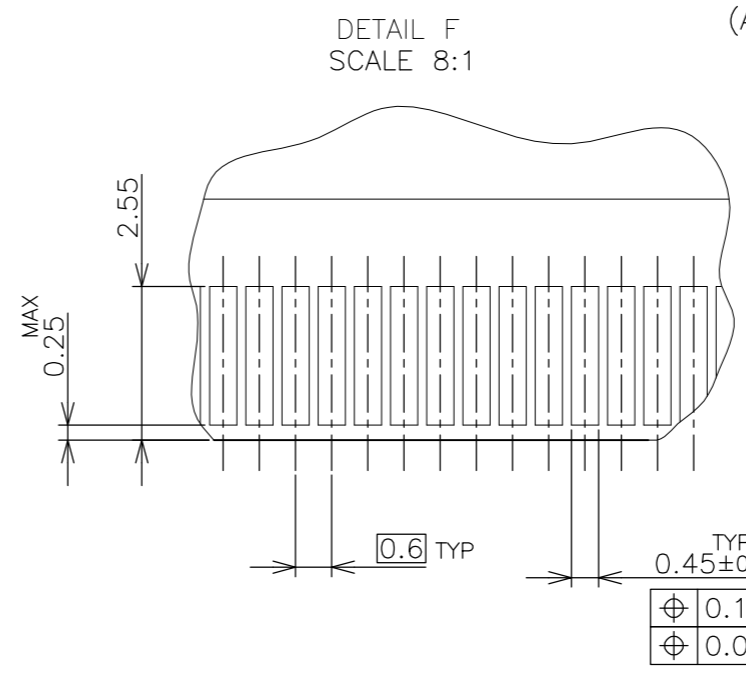
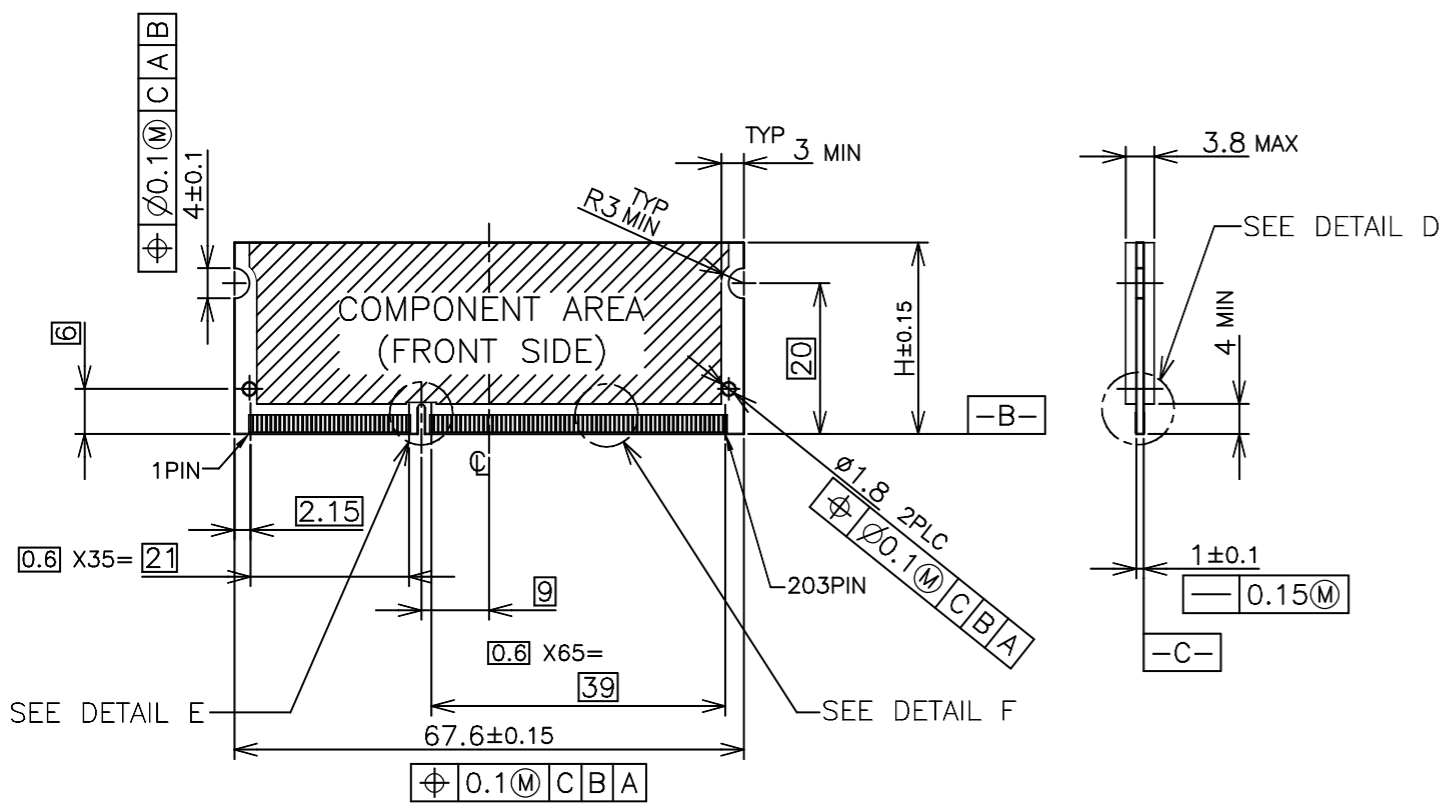


STD TYPE

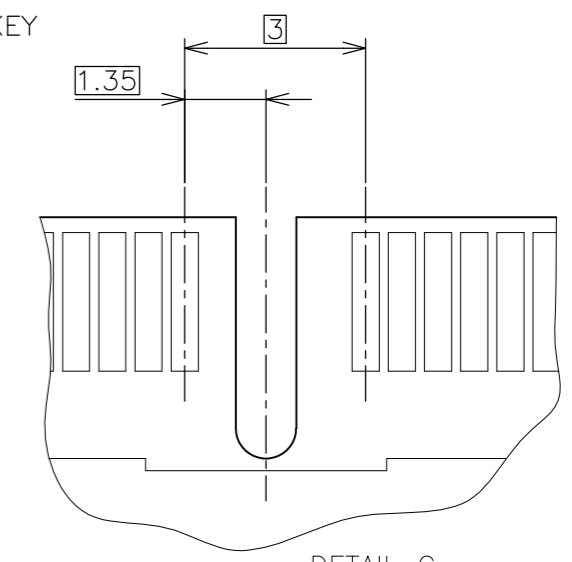
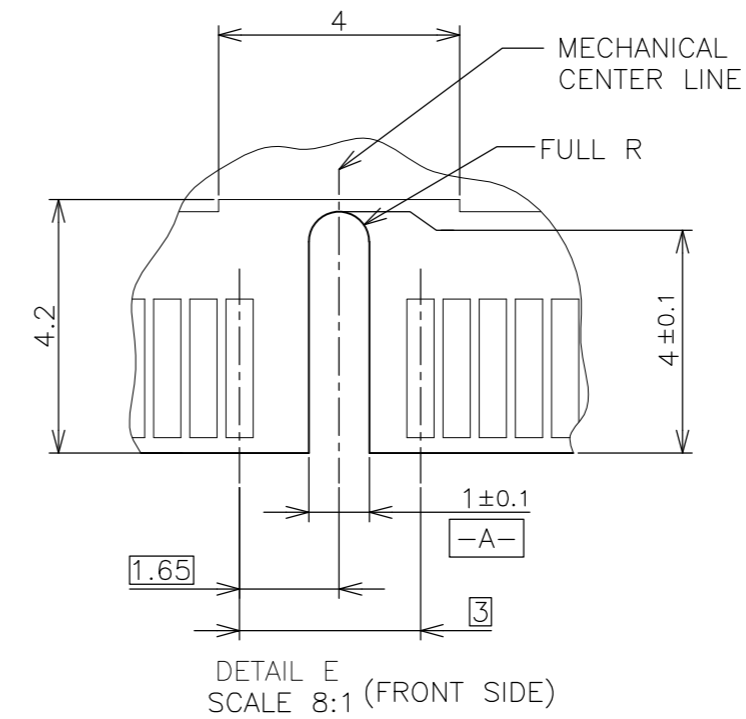
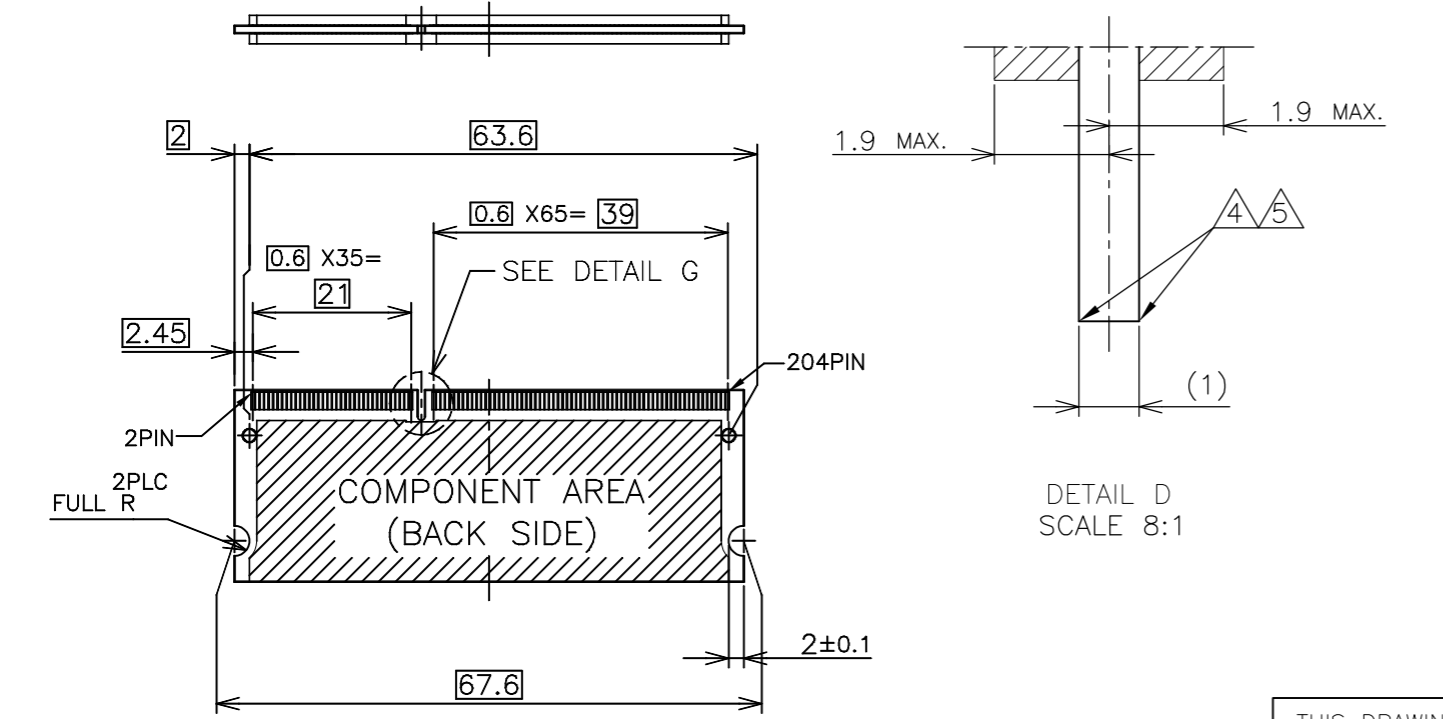
THIS DRAWING IS A CONTROLLED DOCUMENT.		DWN		TE Connectivity	
DIMENSIONS: MM		CHK			
		TOLERANCES UNLESS OTHERWISE SPECIFIED:		NAME	
MATERIAL		FINISH		DDR3 SODIMM SOCKET 0.6mm PITCH 204POS 9.2mm HEIGHT STANDARD TYPE	
0 PLC ± 1 PLC ± 2 PLC ± 3 PLC ± 4 PLC ± ANGLES ±		PRODUCT SPEC APPLICATION SPEC WEIGHT		SIZE CAGE CODE DRAWING NO RESTRICTED TO A3 00779 C-1932209 -	
		CUSTOMER DRAWING		SCALE 2:1 SHEET 2 OF 4 REV C	

P	LTR	DESCRIPTION	DATE	DWN	APVD
-	-	SEE SHEET 1	-	-	-

REFERENCE MATING P.C.B CONFIGURATION



- (APPLIED TO SHEET 3)
1. TOLERANCES ON ALL DIMENSIONS ±0.15 UNLESS OTHERWISE SPECIFIED.
 2. P.C. BOARD THICKNESS APPLIES ACROSS TABS AND INCLUDES PLATING AND/OR METALIZATION.
 3. FINISH OF PAD : GOLD PLATING 0.00076 MIN. OVER Ni PLATING 0.002MIN.
- ▲ NO BURR
 ▲ CHAMFER 0.25 MAX x 45° IF EXIST.

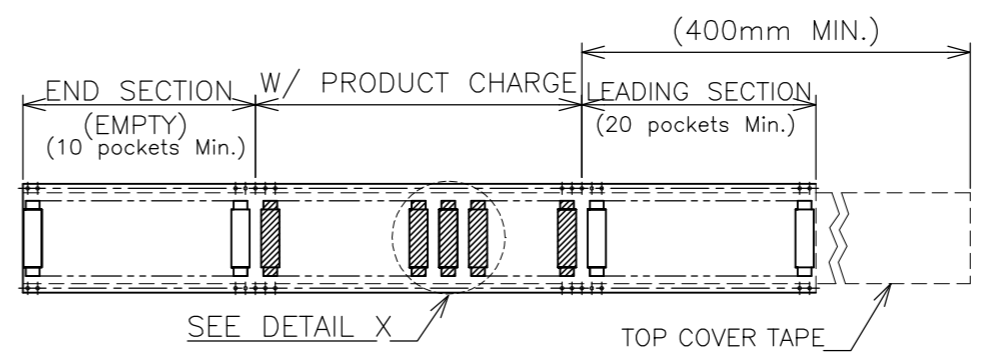
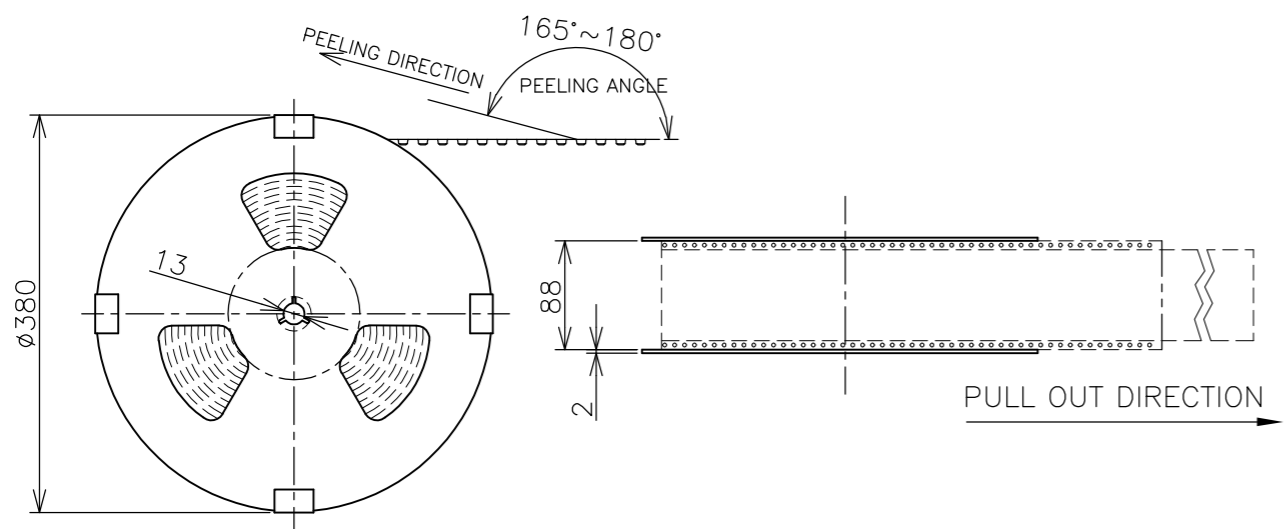


30	CA
31.75	BA
25.4	AA
H	SDRAM VARIATIONS

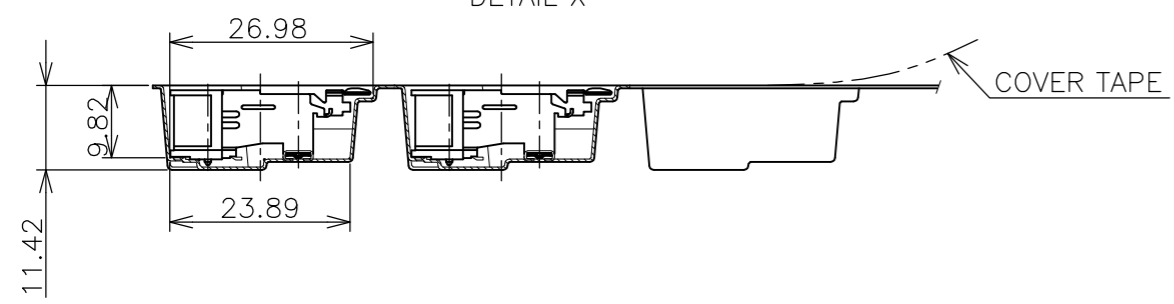
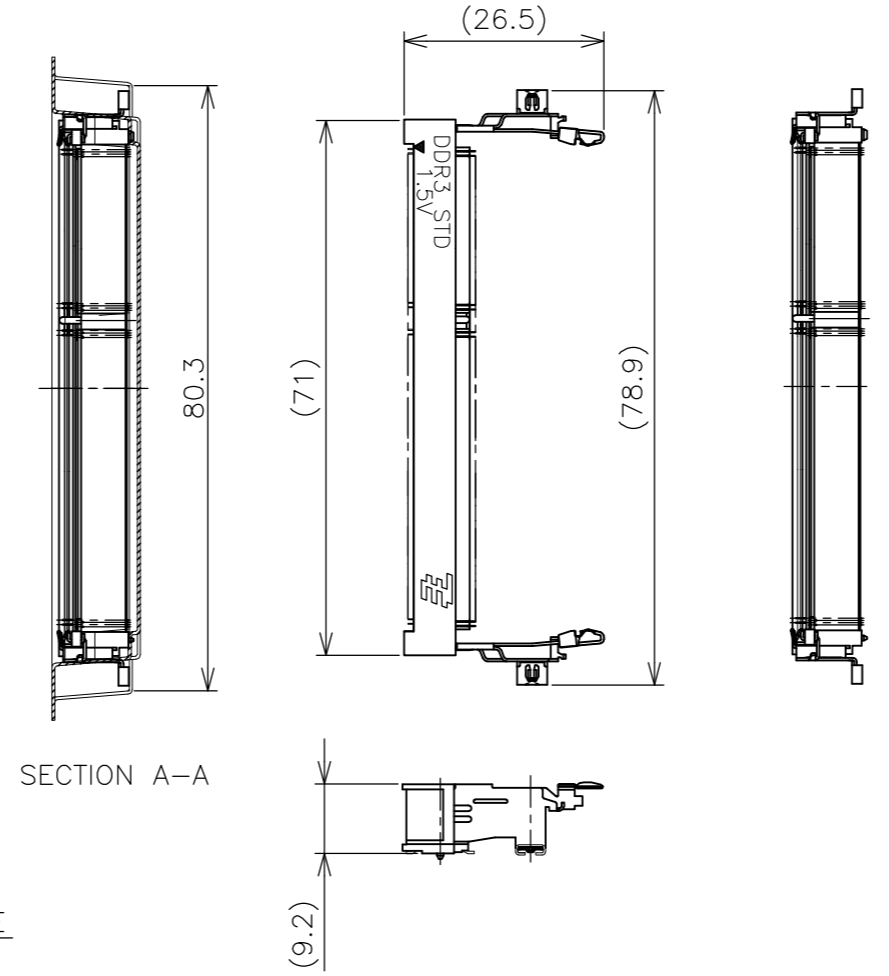
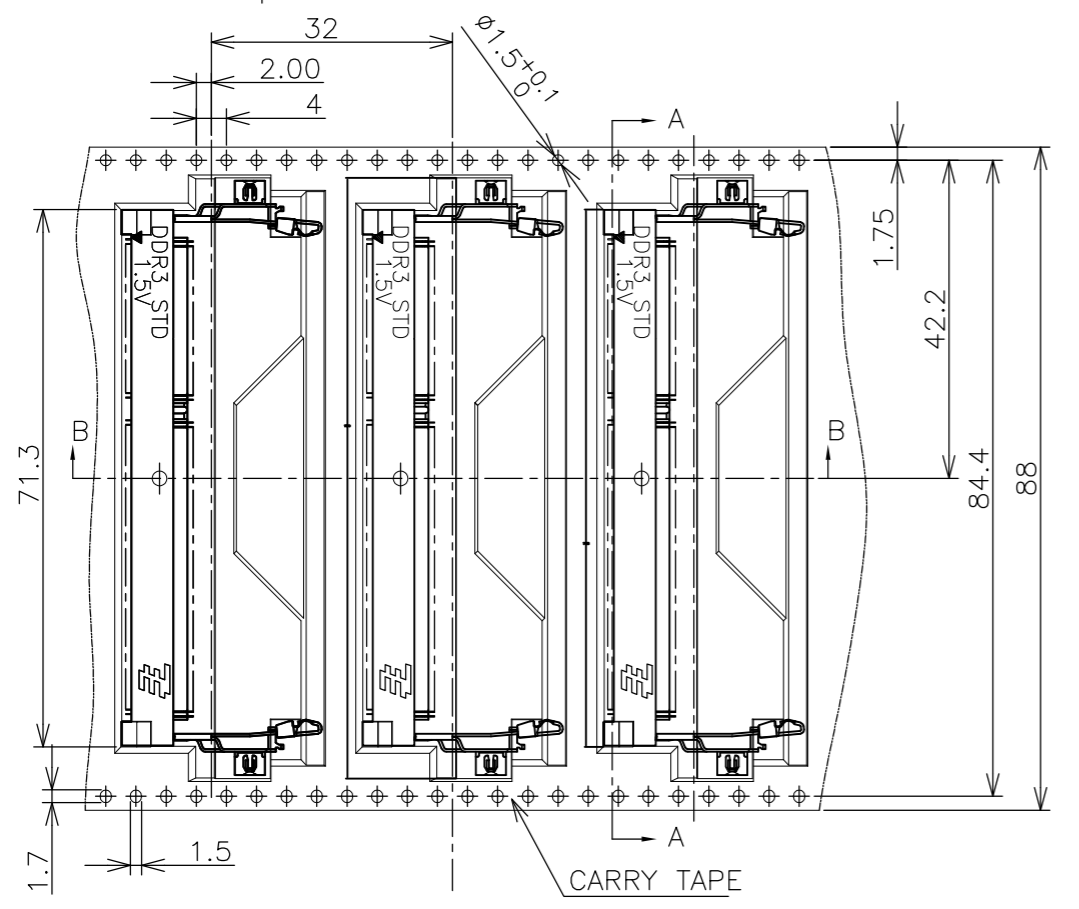
THIS DRAWING IS A CONTROLLED DOCUMENT.		DWN		TE Connectivity	
DIMENSIONS: MM		CHK			
TOLERANCES UNLESS OTHERWISE SPECIFIED:		APVD			
0 PLC ± 1 PLC ± 2 PLC ± 3 PLC ± 4 PLC ± ANGLES ± FINISH ±		PRODUCT SPEC			
MATERIAL		WEIGHT		NAME	
		CUSTOMER DRAWING		DDR3 SODIMM SOCKET 0.6mm PITCH 204POS 9.2mm HEIGHT STANDARD TYPE	
		SCALE 2:1		RESTRICTED TO	
		SHEET 3 OF 4		REV C	
		DRAWING NO. A300779		CAGE CODE G-1932209	

THIS DRAWING IS UNPUBLISHED. RELEASED FOR PUBLICATION SEP, 2007.
 © COPYRIGHT 2007 By - ALL RIGHTS RESERVED.

LOC		DIST		REVISIONS					
ES		/		P	LTR	DESCRIPTION	DATE	DWN	APVD
				-	-	SEE SHEET 1	-	-	-



(APPLIED TO SHEET 4)
 1. THE DIRECTION OF EACH CONNECTOR ON A EMBOSS IS REFERRED TO THIS DRAWING.
 2. GENERAL TOLERANCE: ±0.5, ±3'



180EA	1932209-2
180EA	1932209-1
QTY/REEL	PART NO.

THIS DRAWING IS A CONTROLLED DOCUMENT.		DWN		TE Connectivity NAME DDR3 SODIMM SOCKET 0.6mm PITCH 204POS 9.2mm HEIGHT STANDARD TYPE			
DIMENSIONS: MM		CHK					
TOLERANCES UNLESS OTHERWISE SPECIFIED:		APVD					
0 PLC ± 0.5 1 PLC ± 0.5 2 PLC ± 0.5 3 PLC ± 0.5 4 PLC ± 0.5 ANGLES ± 3'		PRODUCT SPEC					
MATERIAL		FINISH		APPLICATION SPEC			
		WEIGHT		SIZE	CAGE CODE	DRAWING NO	RESTRICTED TO
		CUSTOMER DRAWING		A3 00779		C-1932209	-
		SCALE		SHEET		REV	
		1:2		4 OF 4		C	

单击下面可查看定价，库存，交付和生命周期等信息

[>>TE Connectivity\(泰科\)](#)