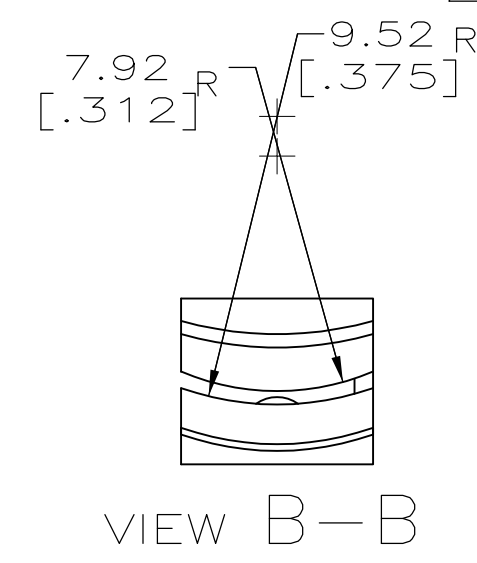
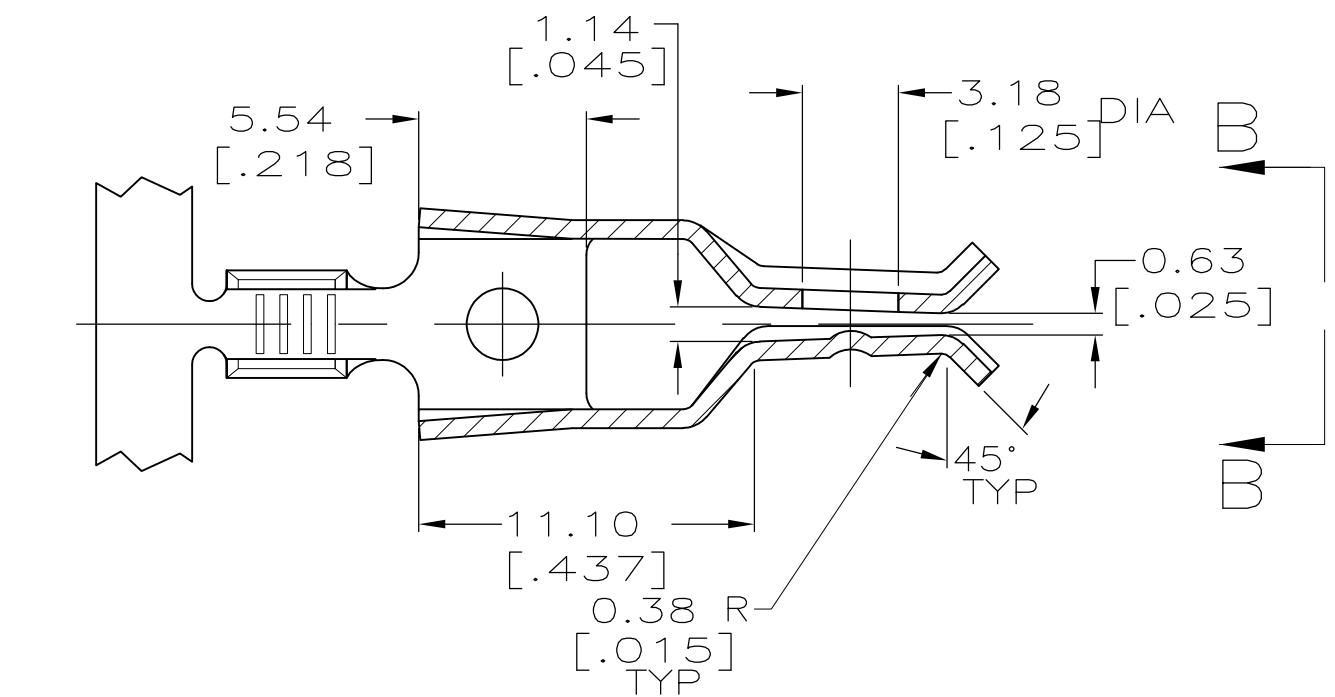
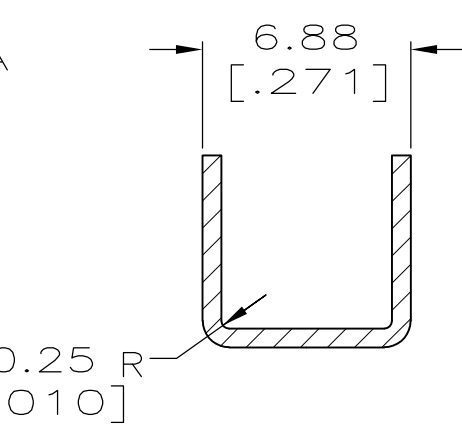
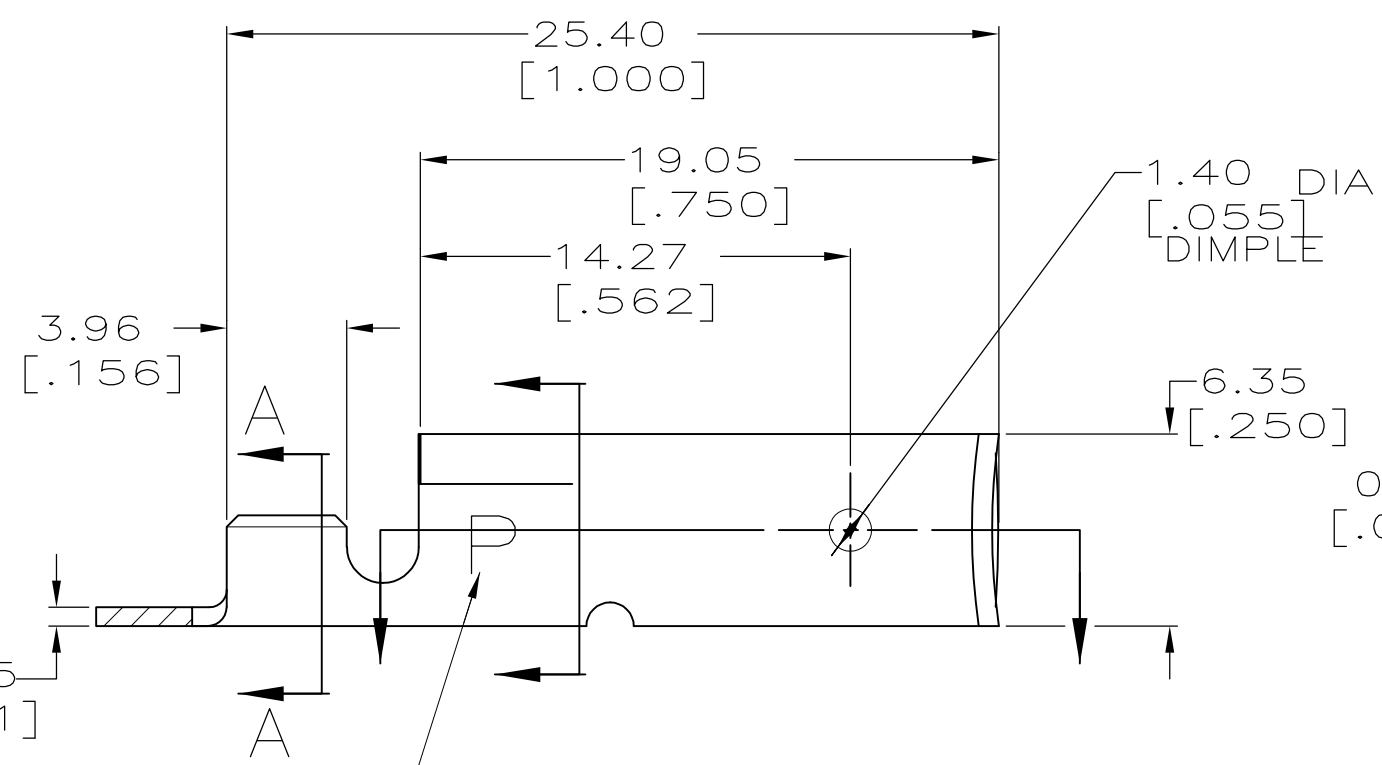
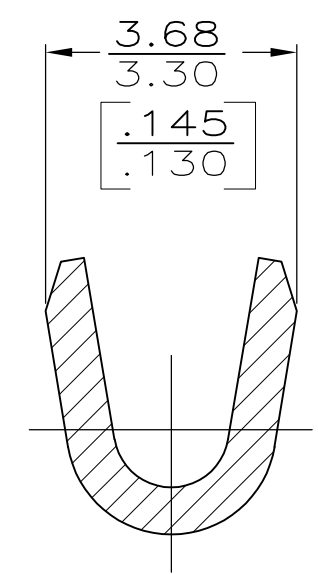


THIS DRAWING IS UNPUBLISHED. RELEASED FOR PUBLICATION  
 © COPYRIGHT - By - ALL RIGHTS RESERVED.

LOC	DIST	REVISIONS			
P	LTR	DESCRIPTION	DATE	DWN	APVD
AF	50	B1	REV PER ECO-14-017598	04DEC14	JR DH



- 1 CONTINUOUS STRIP ON REEL.
- △ 2 "P" STAMP ON 63723-2 ONLY.
- 3 OVERLAP SPLICE USED
- △ 4 TIN PLATE



SECTION A-A  
SCALE 10:1

H04 PHOS BRONZE	0.5-1.3mm <sup>2</sup>	△ 2 63723-2
T2 STEEL	[20-16] AWG	63723-1
MATERIAL	WIRE RANGE	PART NO.

THIS DRAWING IS A CONTROLLED DOCUMENT.		DWN PHIL FORTNEY 7/29/93	<b>STE</b> TE Connectivity		
DIMENSIONS: MM [ INCHES ]		CHK JR RUTH 7/29/93			
TOLERANCES UNLESS OTHERWISE SPECIFIED:		APVD RON KUZO 7/29/93	NAME RECEPTACLE TWIST LOCK		
0 PLC ± -		PRODUCT SPEC -	SIZE CAGE CODE DRAWING NO RESTRICTED TO		
1 PLC ± -		APPLICATION SPEC -	A3 00779 C-63723		
2 PLC ± 0.25 [.010]		WEIGHT -	SCALE 4:1 SHEET 1 OF 1 REV B1		
3 PLC ± -		CUSTOMER DRAWING			
4 PLC ± -					
ANGLES ± -					
MATERIAL SEE TABLE		FINISH △ 4			

单击下面可查看定价，库存，交付和生命周期等信息

[>>TE Connectivity\(泰科\)](#)