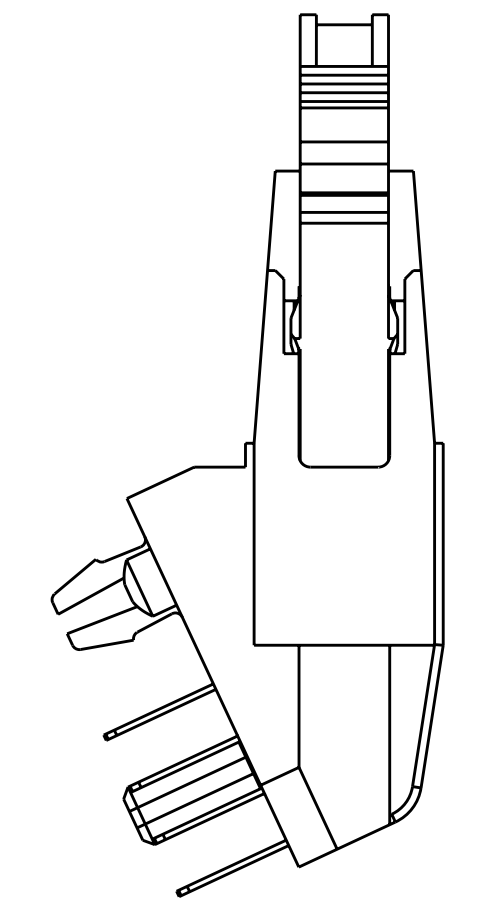
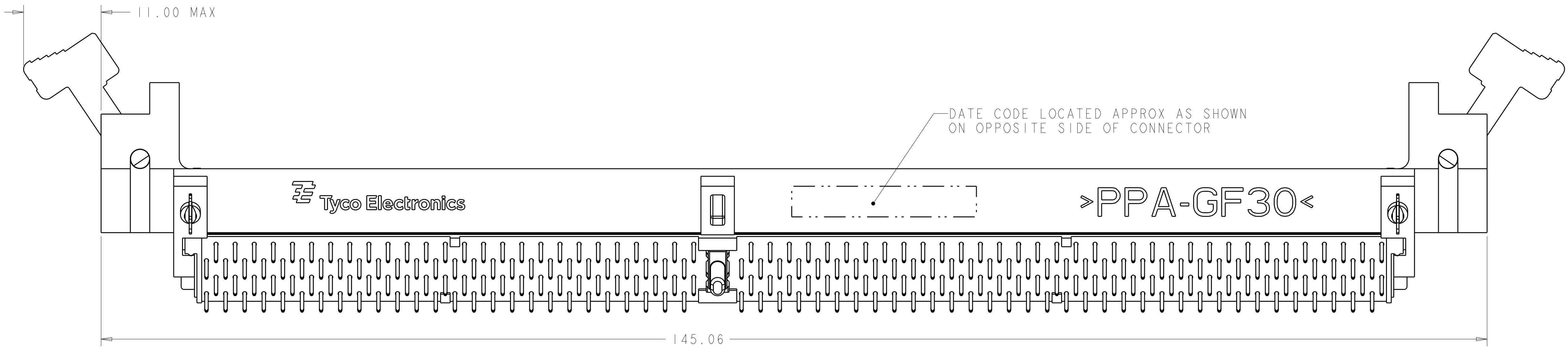
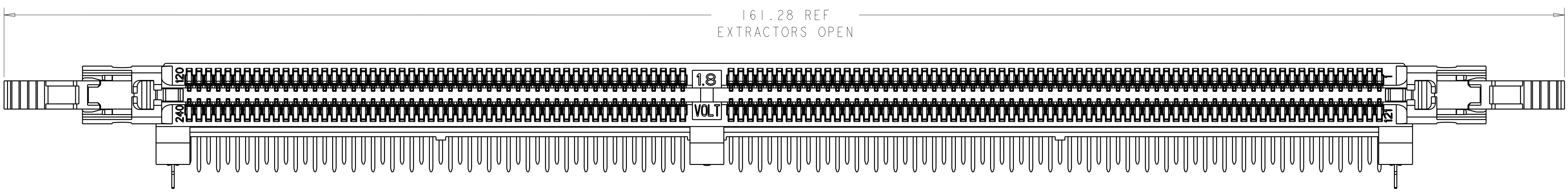
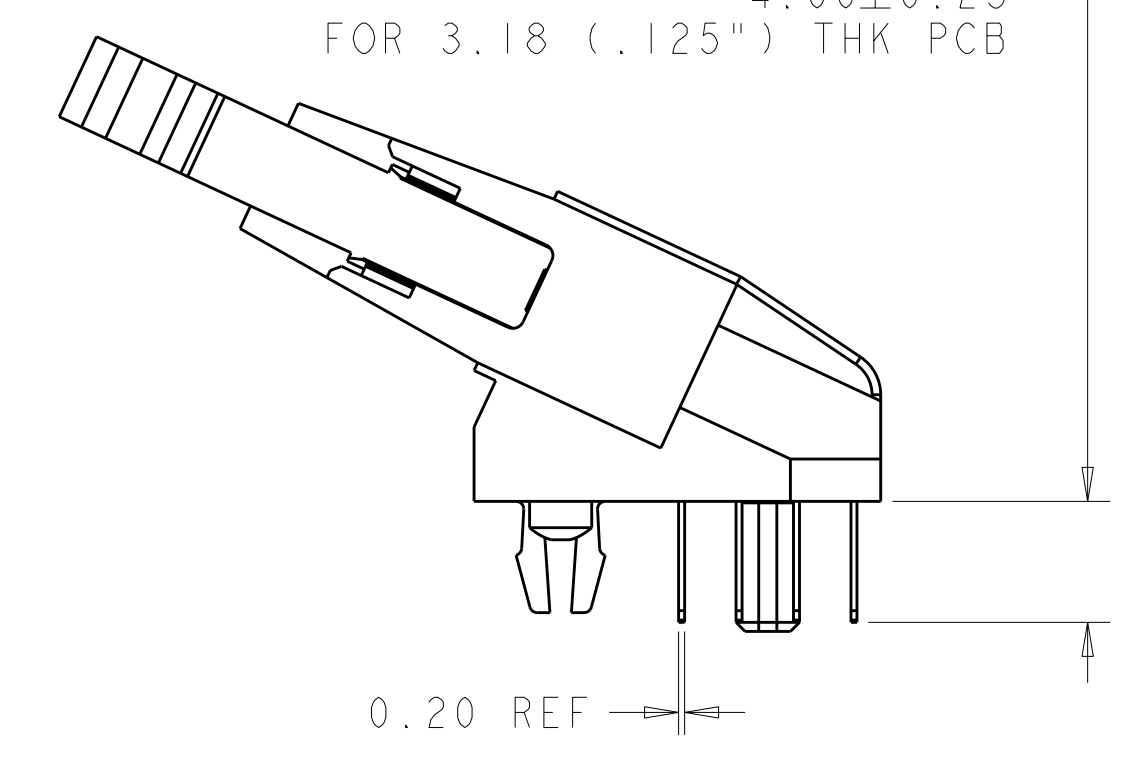
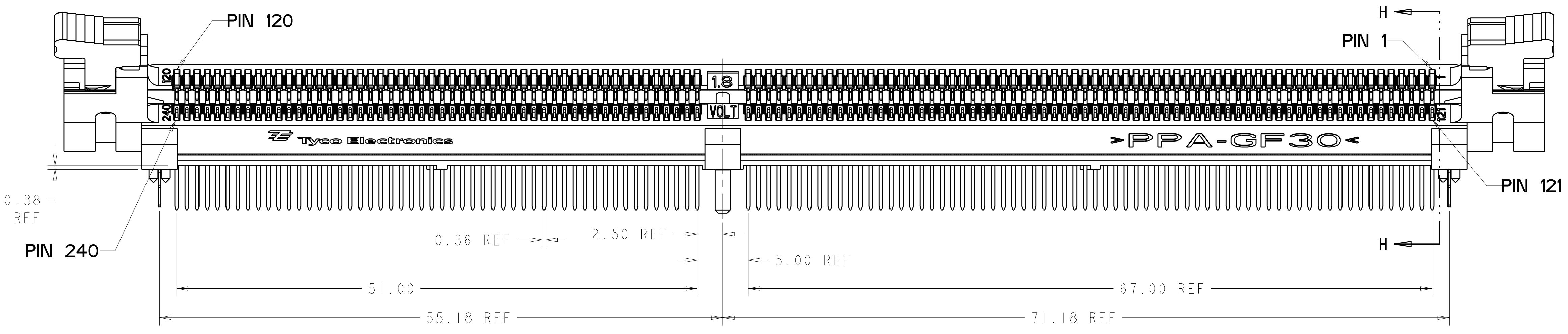


LOC	DIST	REV	DATE	BY	APPD
ES	00	A2	12JUL10	D.S.	S.Y.



TAIL LENGTHS

- 2.67±0.25 FOR 1.60 (.063") THK PCB
- 3.18±0.25 FOR 2.36 (.093") THK PCB
- 4.00±0.25 FOR 3.18 (.125") THK PCB



1 MATERIALS:
 HOUSING: HIGH TEMPERATURE THERMOPLASTIC, BLACK, UL94 V-0
 EXTRACTOR: HIGH TEMPERATURE THERMOPLASTIC, NATURAL (OFF WHITE)
 CONTACTS: COPPER ALLOY
 RETENTION BARB: COPPER ALLOY

6 DATUM [-F-] IS CONNECTOR SIDE SURFACE OF PCB.
7 PORE BLOCKER APPLIED TO CONTACT INTERFACE.

2 INTERFACE FINISH:
 0.00076 MIN THK GOLD OVER 0.00127 MIN THK NICKEL.
 0.00038 MIN THK GOLD OVER 0.00127 MIN THK NICKEL.

3 SOLDER TAIL FINISH:
 0.00300 MIN THK MATTE LEAD FREE PLATING OVER 0.00127 MIN THK NICKEL.

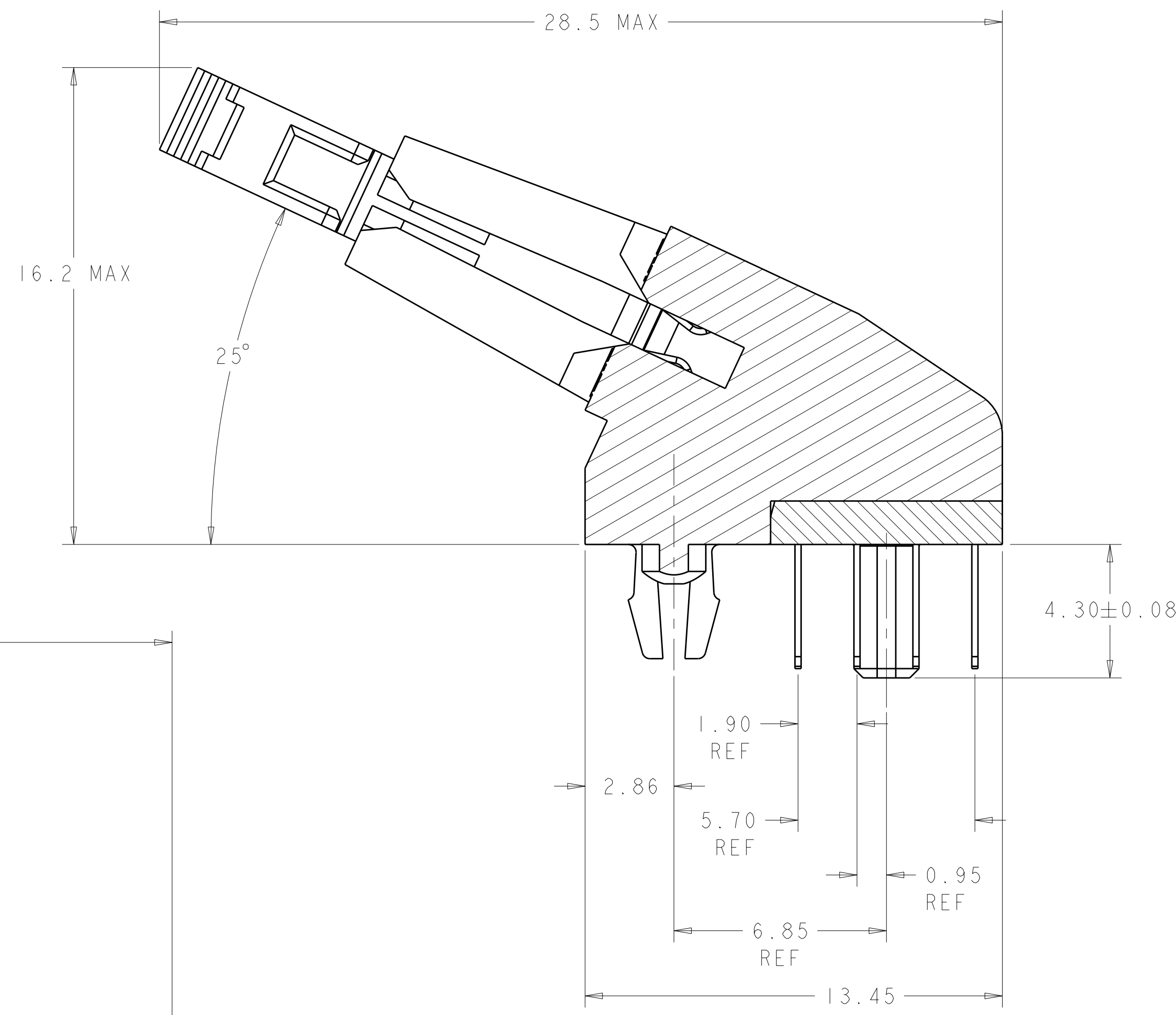
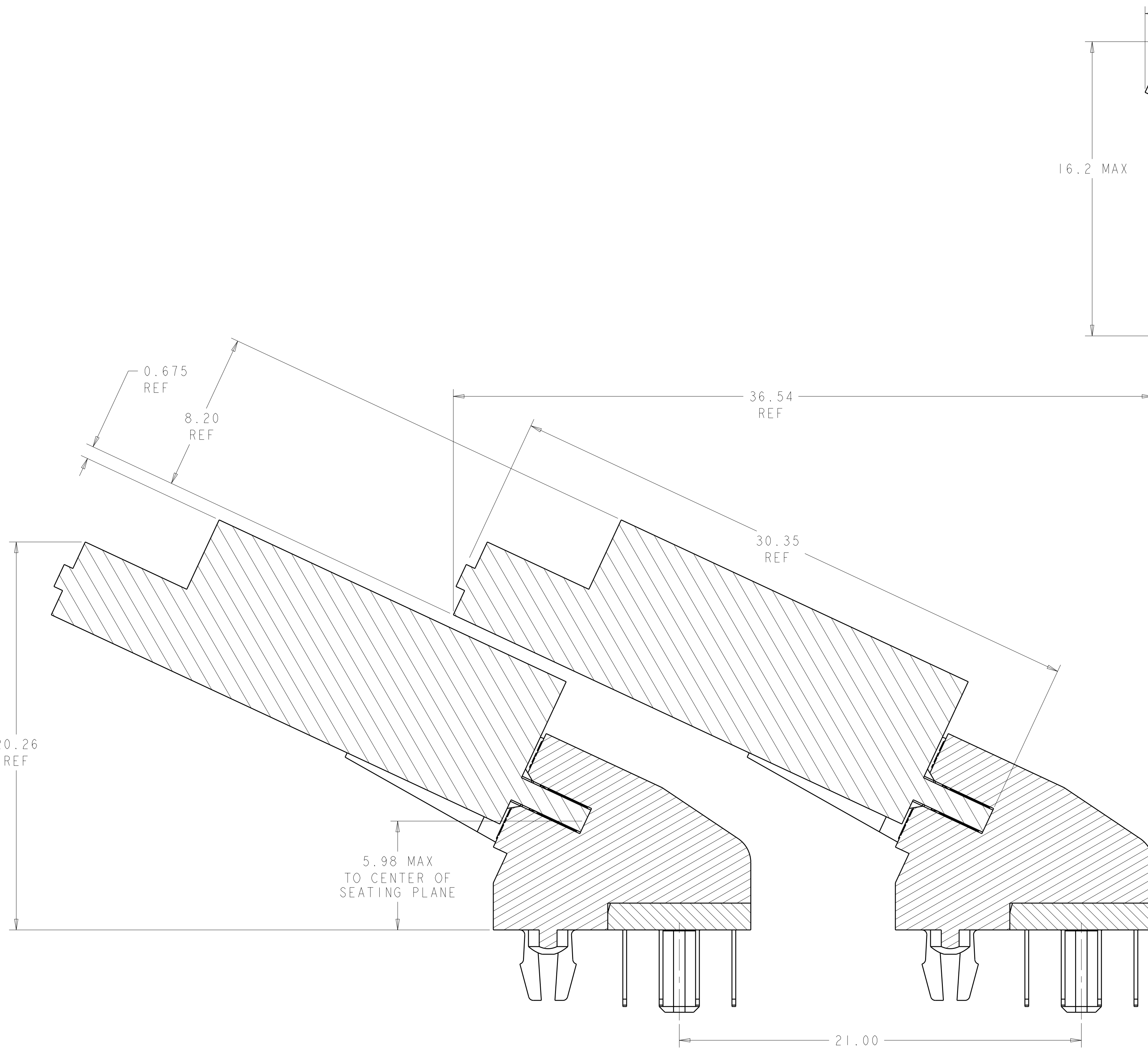
4 RIGHT HOLE IS GLOBAL D-E ORIGIN FOR ALL POSITIONAL TOLERANCES.
 LEFT AND RIGHT NON-PLATED THRU HOLES ESTABLISH [-E-].

5 FINISHED HOLE SIZE. Ø0.15 MAXIMUM ANNULAR RING.

CONTACT GOLD INTERFACE	TAIL LENGTH	PART NUMBER
0.00038 MIN	4.00	1888029-6
0.00038 MIN	3.18	1888029-5
0.00038 MIN	2.67	1888029-4
0.00076 MIN	4.00	1888029-3
0.00076 MIN	3.18	1888029-2
0.00076 MIN	2.67	1888029-1

DIMENSIONS: mm TOLERANCES UNLESS OTHERWISE SPECIFIED: 9 PLC ±.25 1 PLC ±0.15 3 PLC ±0.13 4 PLC ±. ANGLES ±#1		DWN: D. RINGLER 12JUL2005 CHK: M. YEOMANS 18JUL2005 APVD:	Tyco Electronics Corporation SH/CN GuiPing RD 668#
MATERIAL: FINISH:		PRODUCT SPEC: 108-2168 APPLICATION SPEC: 114-13130 WEIGHT:	NAME: SOCKET ASSEMBLY 25 DEGREE FB DIMM 240 POSITION SIZE: A11 CAGE CODE: 00779 DRAWING NO: C=1888029
CUSTOMER DRAWING		SCALE: 1:1	SHEET 1 OF 3 REV A2

LOC		DIST		REVISIONS			
ES	00	REV	DATE	DESCRIPTION	DATE	DWN	APVD
-	-	-	-	SEE SHEET 1	-	-	-



SECTION **HH**
 SCALE 8:1

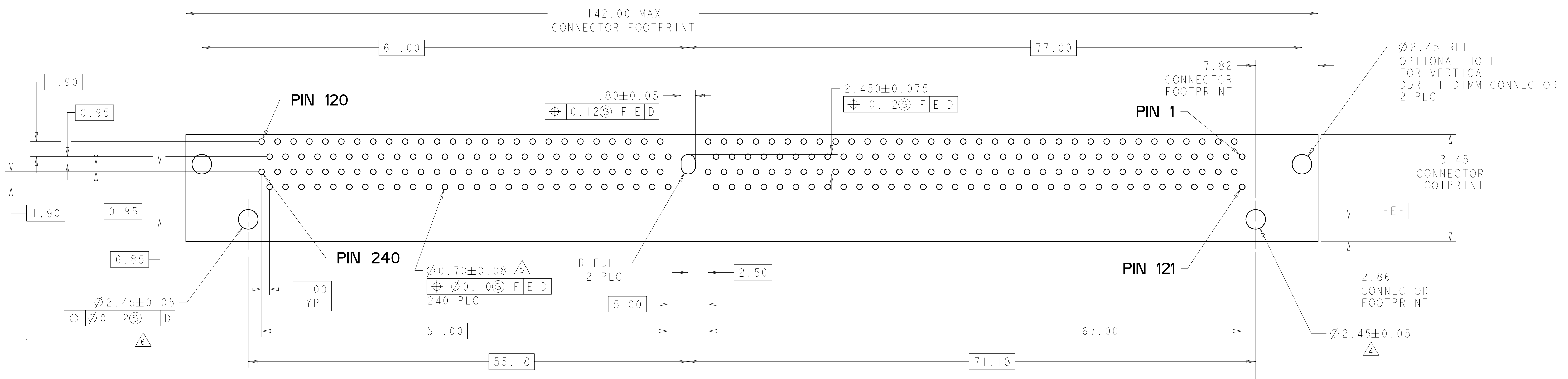
MINIMUM RECOMMENDED ROW TO ROW SPACING

SCALE 8:1

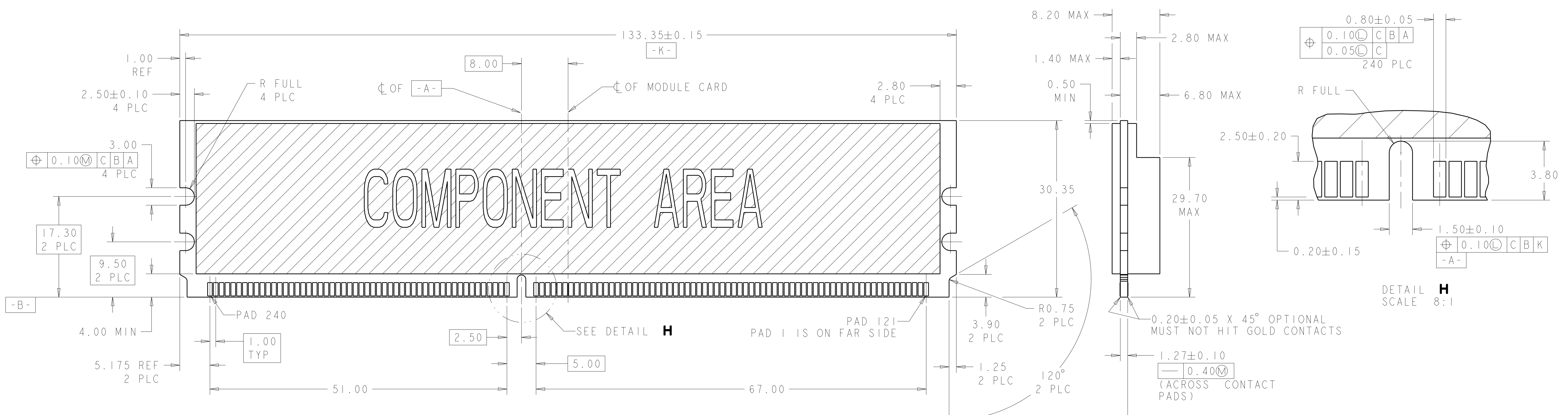
<small>THIS DRAWING IS UNPUBLISHED. RELEASED FOR PUBLICATION BY TYCO ELECTRONICS CORPORATION. ALL RIGHTS RESERVED. THIS IS SUBJECT TO CHANGE WITHOUT NOTICE AND WITHOUT OBLIGATION. SHOULD BE CONTACTED FOR THE LATEST REVISION.</small>		DWN D. RINGLER 12 JUL 2005 CHK M. YEOMANS 18 JUL 2005 APVD -	Tyco Electronics Tyco Electronics Corporation SH/CN GuiPing RD 668#
DIMENSIONS: mm 	TOLERANCES UNLESS OTHERWISE SPECIFIED: 9 PLC ± 1 PLC ±0.25 2 PLC ±0.15 3 PLC ±0.13 4 PLC ± ANGLES ±° FINISH ±#1	PRODUCT SPEC 108-2168 APPLICATION SPEC 114-13130 WEIGHT -	NAME SOCKET ASSEMBLY 25 DEGREE FB DIMM 240 POSITION SIZE CAGE CODE DRAWING NO A11 00779 C-1888029 RESTRICTED TO -
MATERIAL -		CUSTOMER DRAWING	
		SCALE 1:1	SHEET 2 OF 3 REV A2

LOC	DIST	REV	DATE	BY	APPD
ES	00				

REVISIONS		DATE	BY	APPD
1	SEE SHEET 1			



RECOMMENDED PCB HOLE LAYOUT Δ
 VIEWED FROM CONNECTOR SIDE
 SCALE 4:1



RECOMMENDED MODULE LAYOUT
 SCALE 3:1

<small>THIS DRAWING IS UNPUBLISHED. RELEASED FOR PUBLICATION BY TYCO ELECTRONICS CORPORATION. ALL RIGHTS RESERVED.</small>		DWN: D. RINGLER 12 JUL 2005 CHK: M. YEOMANS 18 JUL 2005	Tyco Electronics Tyco Electronics Corporation SH/CN GuiPing RD 668#
DIMENSIONS: mm 	TOLERANCES UNLESS OTHERWISE SPECIFIED: 9 PLC ±0.25 1 PLC ±0.15 5 PLC ±0.13 4 PLC ±0.10 ANGLES ±1°	PRODUCT SPEC: 108-2168 APPLICATION SPEC: 114-13130 WEIGHT: - CUSTOMER DRAWING	NAME: SOCKET ASSEMBLY 25 DEGREE FB DIMM 240 POSITION SIZE: A1 CAGE CODE: 00779 DRAWING NO: C=1888029 RESTRICTED TO: - SCALE: 1:1 SHEET 3 OF 3 REV A2

单击下面可查看定价，库存，交付和生命周期等信息

[>>TE Connectivity\(泰科\)](#)