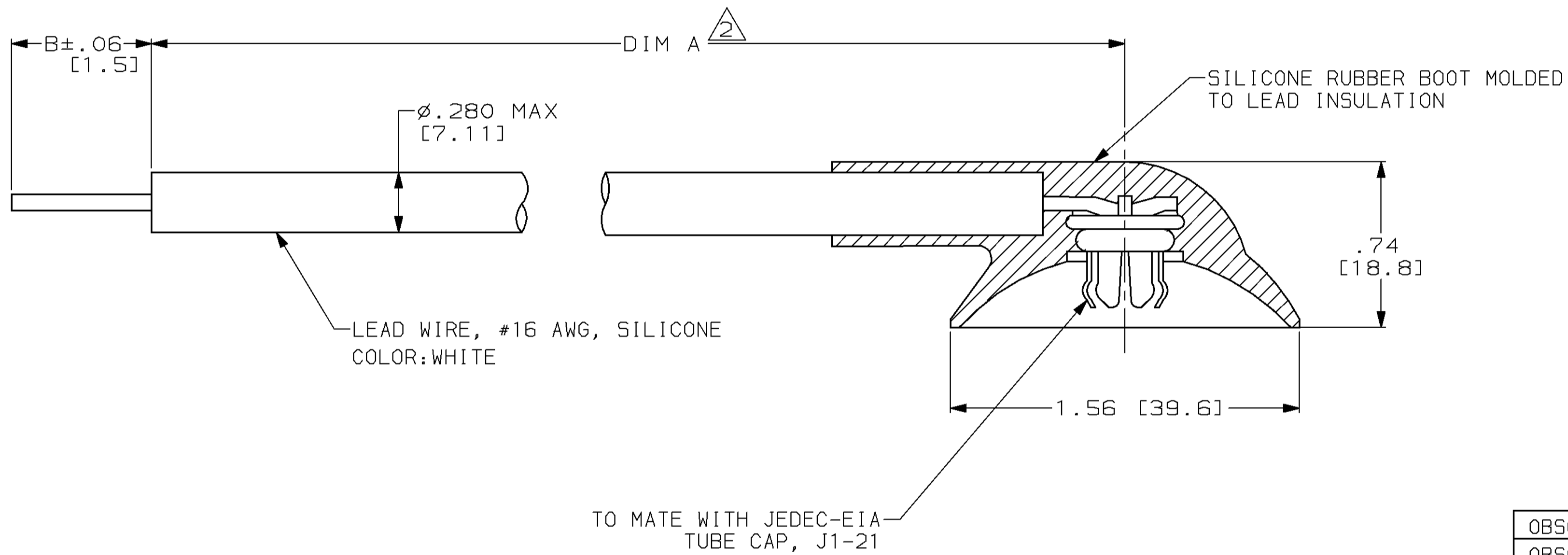


THIS DRAWING IS UNPUBLISHED.
 RELEASED FOR PUBLICATION
 BY AMP INCORPORATED. ALL RIGHTS RESERVED.

LOC	DIST	REVISIONS					
		P	LTR	DESCRIPTION	DATE	DWN	APVD
DF	SO	J		REV & REDRAWN; 0600-6055-96	2-97	CT	DE



- MARKED PER MIL-STD-130.
- LEAD TOLERANCES: UP TO 24.00 [609.6] = ±.12 [3.0]
24.00 AND UP = ±1%

OBSOLETE	.25 [6.4]	13.38 [339.9]	1-840779-6
OBSOLETE	.38 [9.7]	11.31 [287.3]	1-840779-5
	.38 [9.7]	60.00 [1524.0]	1-840779-4
OBSOLETE	.25 [6.4]	41.00 [1041.4]	1-840779-3
OBSOLETE	.38 [9.7]	9.00 [228.6]	1-840779-2
OBSOLETE	.38 [9.7]	6.00 [152.4]	1-840779-1
OBSOLETE	.38 [9.7]	10.20 [259.1]	1-840779-0
OBSOLETE	.38 [9.7]	72.00 [1828.8]	840779-9
OBSOLETE	.38 [9.7]	18.00 [457.2]	840779-8
OBSOLETE	.38 [9.7]	15.00 [381.0]	840779-7
	.38 [9.7]	12.00 [304.8]	840779-6
	.38 [9.7]	24.00 [609.6]	840779-5
OBSOLETE	.38 [9.7]	36.00 [914.4]	840779-4
OBSOLETE	.38 [9.7]	16.00 [406.4]	840779-3
OBSOLETE	.38 [9.7]	96.00 [2438.4]	840779-2
OBSOLETE	.38 [9.7]	8.00 [203.2]	840779-1

B	DIM A	PART NO.
---	-------	----------

<small>THIS DRAWING IS A CONTROLLED DOCUMENT FOR AMP INCORPORATED. IT IS SUBJECT TO CHANGE AND THE CONTROLLING ENGINEERING ORGANIZATION SHOULD BE CONTACTED FOR THE LATEST REVISION.</small>		DWN C.C. THOMAS 2-6-97	AMP Incorporated Harrisburg, PA 17105-3608
DIMENSIONS: IN [mm]		CHK D. EABY 3-4-97	
TOLERANCES UNLESS OTHERWISE SPECIFIED: 0 PLC ±- 1 PLC ±- 2 PLC ±.02 [0.5] 3 PLC ±.005 [0.13] 4 PLC ±- ANGLES ±- FINISH -		APVD D. EABY 3-4-97	NAME LEAD ASSEMBLY J1-21 CRT LGH-1 & -3
MATERIAL -		PRODUCT SPEC -	SIZE A2
		APPLICATION SPEC -	CAGE CODE 00779
		WEIGHT -	DRAWING NO C-840779
		CUSTOMER DRAWING	SCALE 2:1
			SHEET 1 OF 1
			REV J

单击下面可查看定价，库存，交付和生命周期等信息

[>>TE Connectivity\(泰科\)](#)