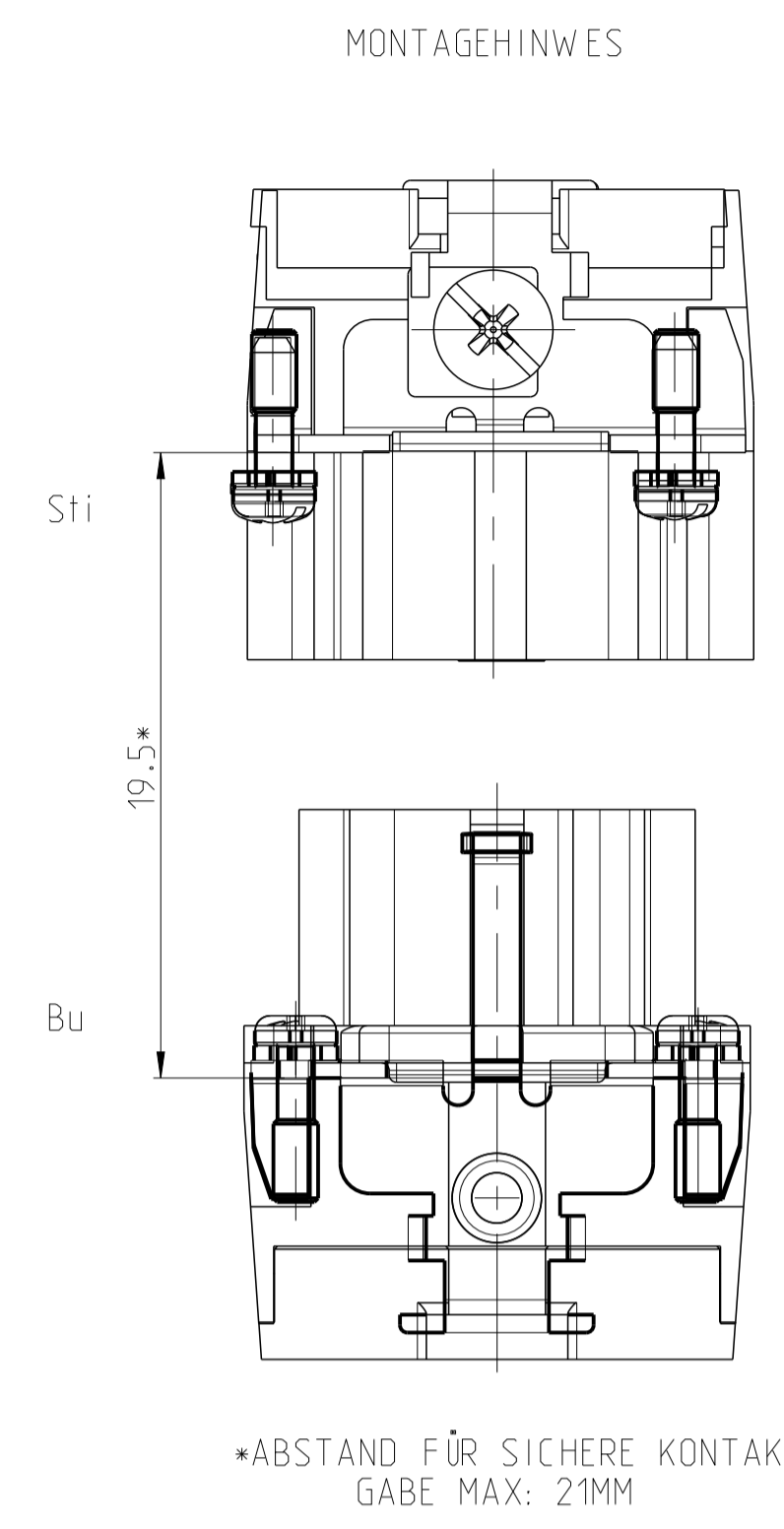
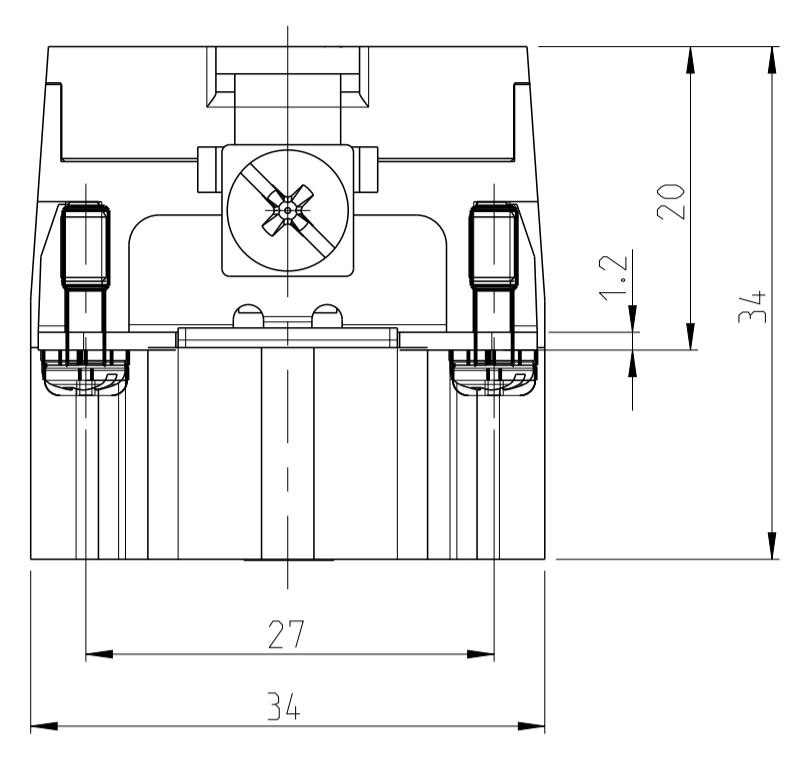
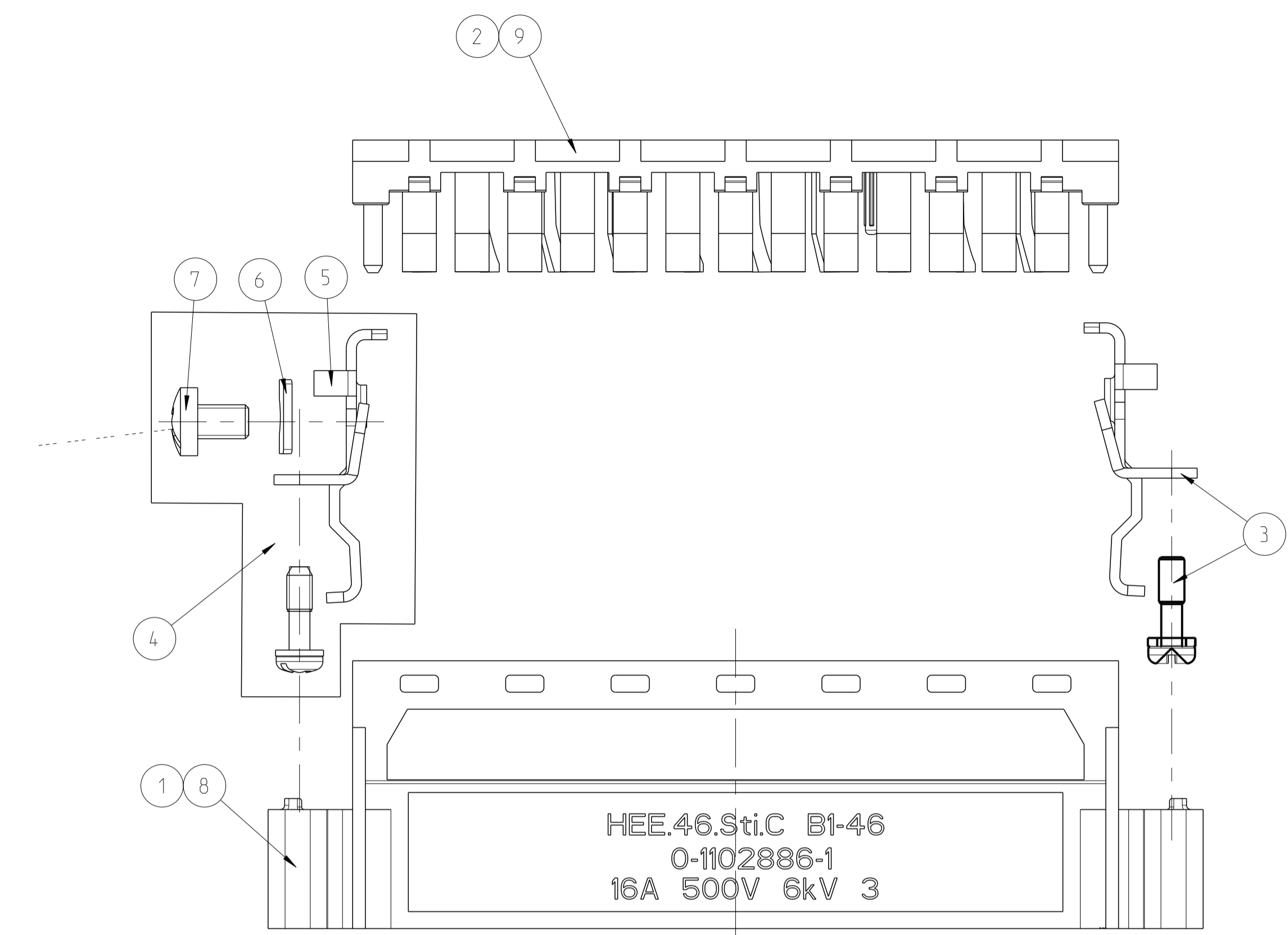
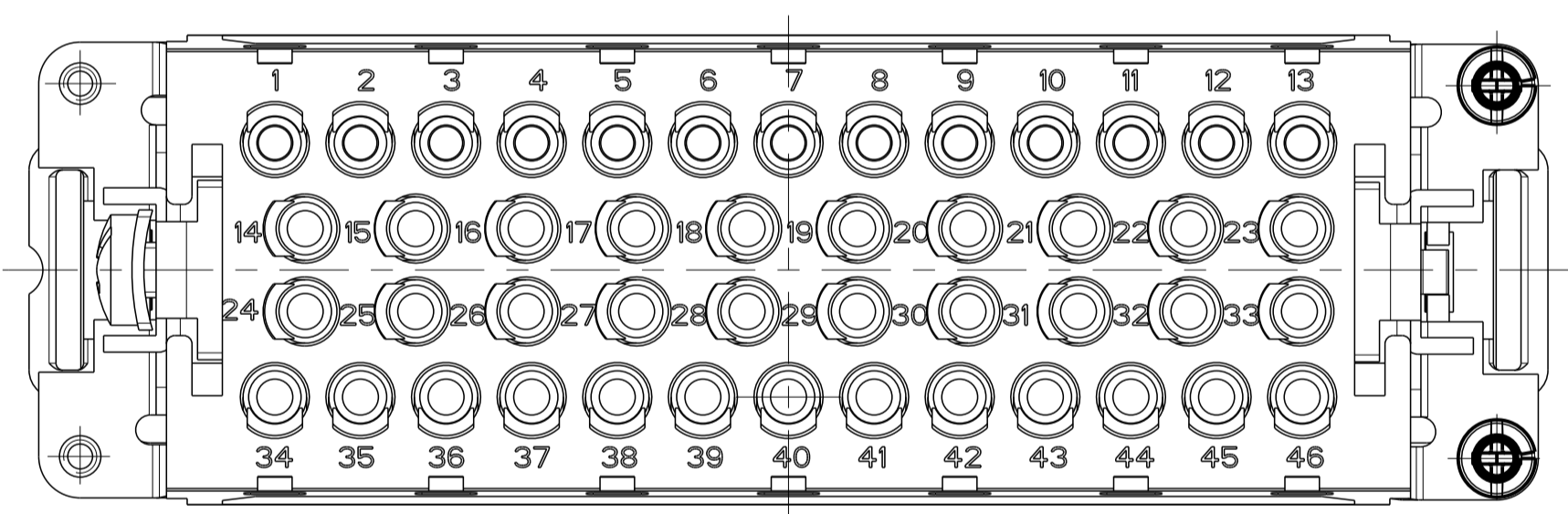


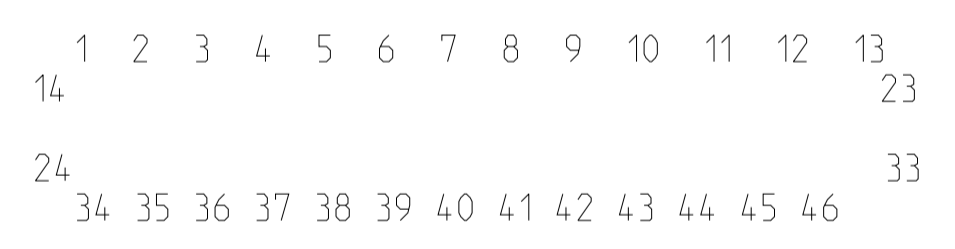
LOC	DIST	REVISIONS					
		P	LTN	DESCRIPTION	DATE	DWN	APVD
		B4		ECR-11-008436	08SEP2010	SR	AR
		B5		ECR-16-009335	08DEC2016	GCM	MKO



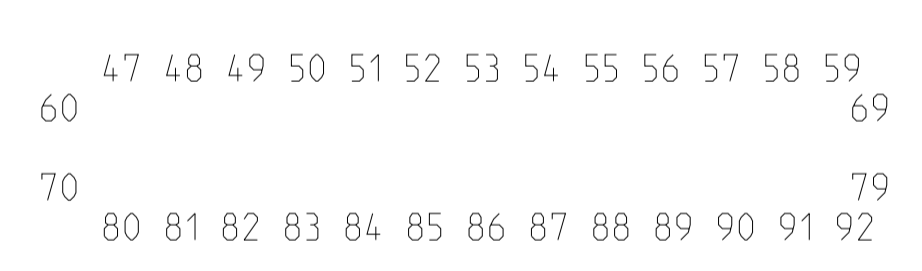
- NOTES
- 1 MATERIAL: LCP-GF
  - 2 PACKAGING QUANTITY 5 PIECES



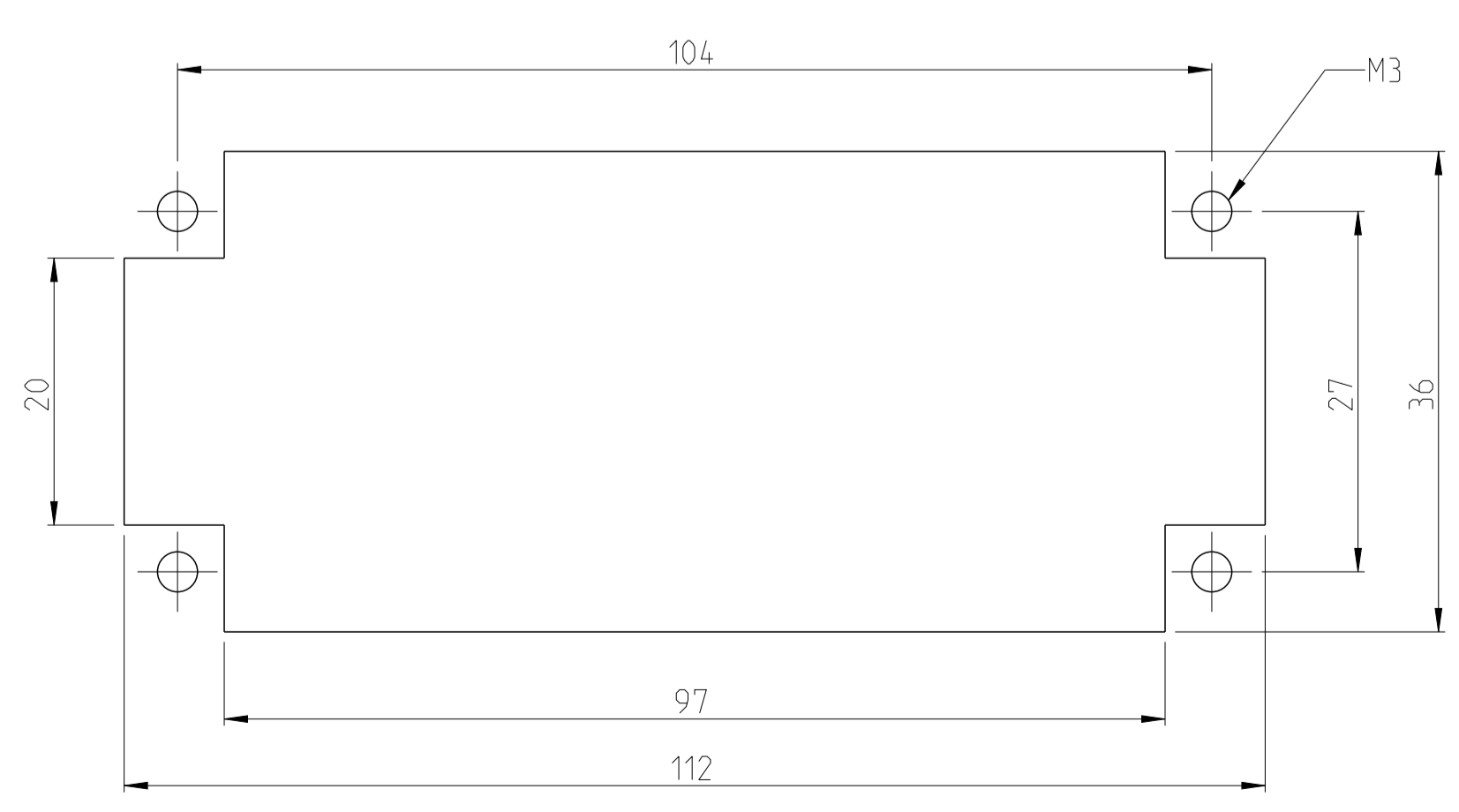
PN 0-1; 0-3; 0-4  
 CONTACT ARRANGEMENT  
 VIEW FROM CONNECTING SIDE



PN 0-2  
 CONTACT ARRANGEMENT  
 VIEW FROM CONNECTING SIDE



PANEL CUT-OUT FOR CONTACT INSERT  
 WHEN USED WITHOUT HOUSING



OBSOLETE		QTY	DESCRIPTION	MATERIAL	COLOR	ITEM	NOTES	
1			COVER HEE.46-FS	LCP-GF30	NATURE	9		
1			MALE INSERT HEE.46-FS	LCP-GF30	NATURE	8		
			GROUND SCREW	STEEL	BLUE	7		
			CLIP TAB	STEEL	BLUE	6		
			PROTECTION WIRE CONTACT PIN	STEEL	BLUE	5		
1		1	PROTECTION WIRE CONTACT PIN WITH MOUNTING	STEEL	BLUE	4	MOUNTED	
1		1	PROTECTION WIRE CONTACT PIN	STEEL	BLUE	3	MOUNTED	
			COVER HEE.46	PC GF20	GREY	2		
			MALE INSERT	PC GF20	GREY	1		
0-4	0-3	0-2	0-1	DESCRIPTION	MATERIAL	COLOR	ITEM	NOTES
				HEE.46.Sti.C B1-46				
				HEE.46.Sti.C B47-92				
				HEE.46.Sti.C/OBS B1-46				
				HEE.46.Sti.C B1-46-FS				

THIS DRAWING IS A CONTROLLED DOCUMENT. DWN: R.SCHNEIDER 02.05.02  
 CHK: M.SCHWEIGER 02.05.02

TE Connectivity

MALE INSERT ASSY HEE.46

SCALE: 5:1 SHEET 1 OF 1 REV: B5

单击下面可查看定价，库存，交付和生命周期等信息

[>>TE Connectivity\(泰科\)](#)