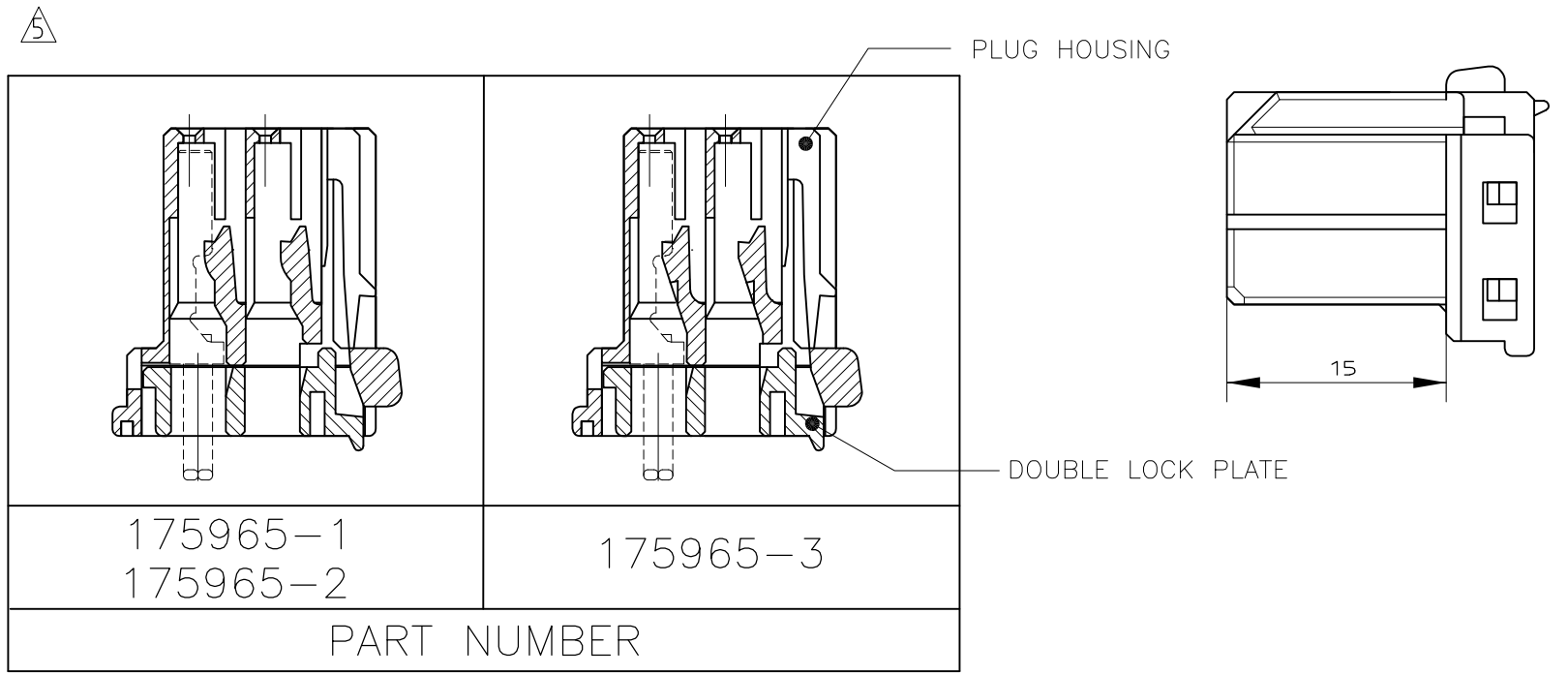
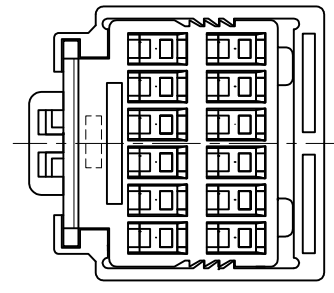
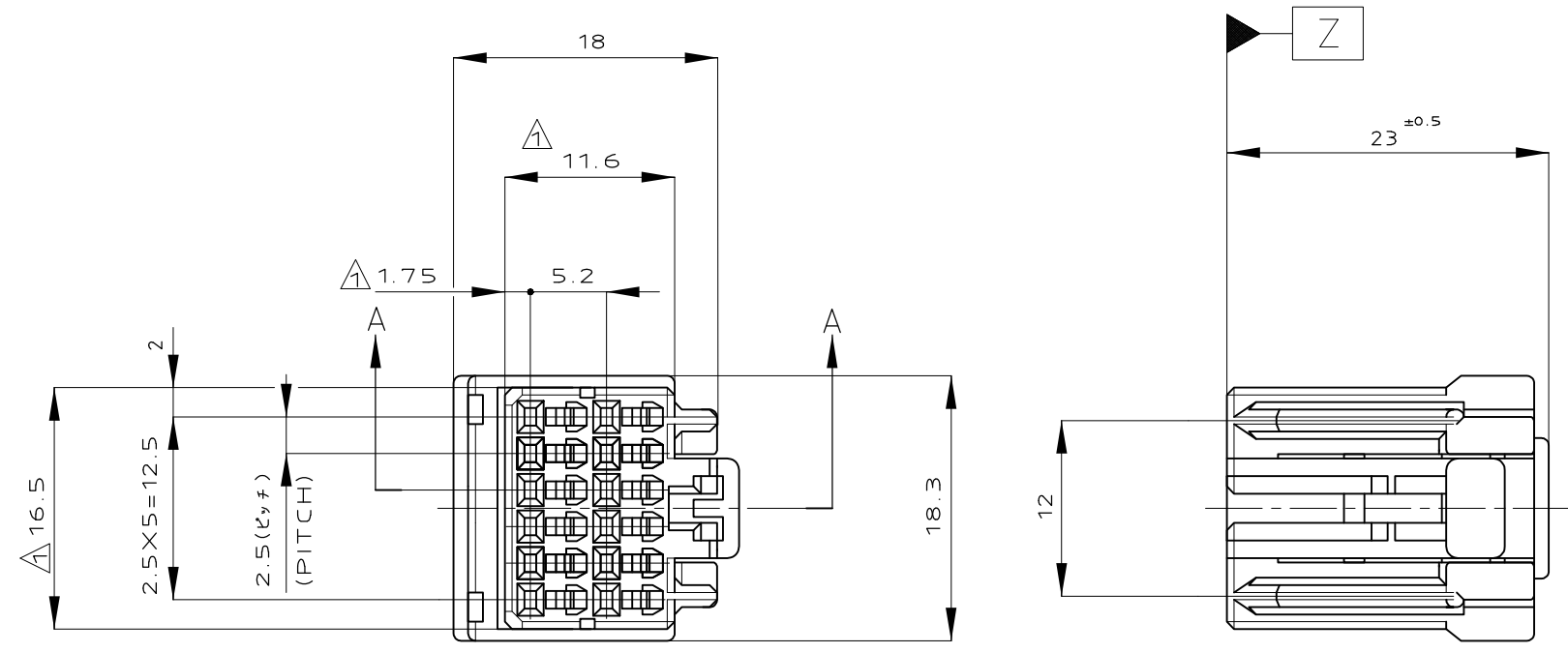


THIS DRAWING IS UNPUBLISHED. RELEASED FOR PUBLICATION
 © COPYRIGHT - By - ALL RIGHTS RESERVED.

| LOC | DIST | REVISIONS | | | | | |
|-----|------|-----------|---------|---------------|---------|-----|------|
| J | - | P | LTR | DESCRIPTION | DATE | DWN | APVD |
| | | B3 | REVISED | ECR-15-009159 | 18JUN15 | AY | RK |



- △ MUST BE KEPT BETWEEN Z AND 2mm
- 2 THE MATING CAP HSG. PART NUMBER;175974,175976
- 3 APPLIED CONTACT PART NUMBER;173681
- 4 APPLICABLE PRODUCT SPEC NO.;108-5281
- △ THIS PLUG HOUSING HAVE TWO KINDS OF LANCE TYPE.
- △ Z 面より2mmの範囲で測定。
- 2 かん合相手ハウジング型番 ; 175974, 175976
- 3 内装するリセプタクルコンタクト型番 ; 173681
- 4 適用製品規格番号 ; 108-5281
- △ 本プラグハウジングは2タイプのランス形状がある

| | |
|-------|-------------|
| BLACK | 175965-3 |
| BLACK | 175965-2 |
| WHITE | 175965-1 |
| COLOR | PART NUMBER |

| | | | | |
|--|--|----------------------------------|--|------------------------|
| THIS DRAWING IS A CONTROLLED DOCUMENT. | | DWN K. SUZUKI 24OCT89 | STE TE Connectivity | |
| DIMENSIONS: 単位: 耗 mm | | CHK Y. MATSUSAKA 19DEC89 | | |
| TOLERANCES UNLESS OTHERWISE SPECIFIED: 一般公差 | | APVD M. NOGUCHI 26DEC89 | NAME 名称 040 SERIES MULTI-LOCK I/O CONNECTOR MK-II 12POSITION PLUG HOUSING ASSEMBLY | |
| 0 < x ≤ 10 : ±0.2 10 < x ≤ 30 : ±0.25 30 < x ≤ 100 : ±0.3 ANGLE ; ±3° | | PRODUCT SPEC 製品規格 108-5281 | RESTRICTED TO | |
| MATERIAL 材料 PBT | | FINISH 仕上 | APPLICATION SPEC 取付適用規格 | SIZE A3 |
| | | WEIGHT 3.2 g | CAGE CODE 00779 | DRAWING NO C-175965 |
| | | CUSTOMER DRAWING | | SCALE 尺度 2:1 |
| | | | | SHEET 1 OF 1 |
| | | | | REV B3 |

单击下面可查看定价，库存，交付和生命周期等信息

[>>TE Connectivity\(泰科\)](#)