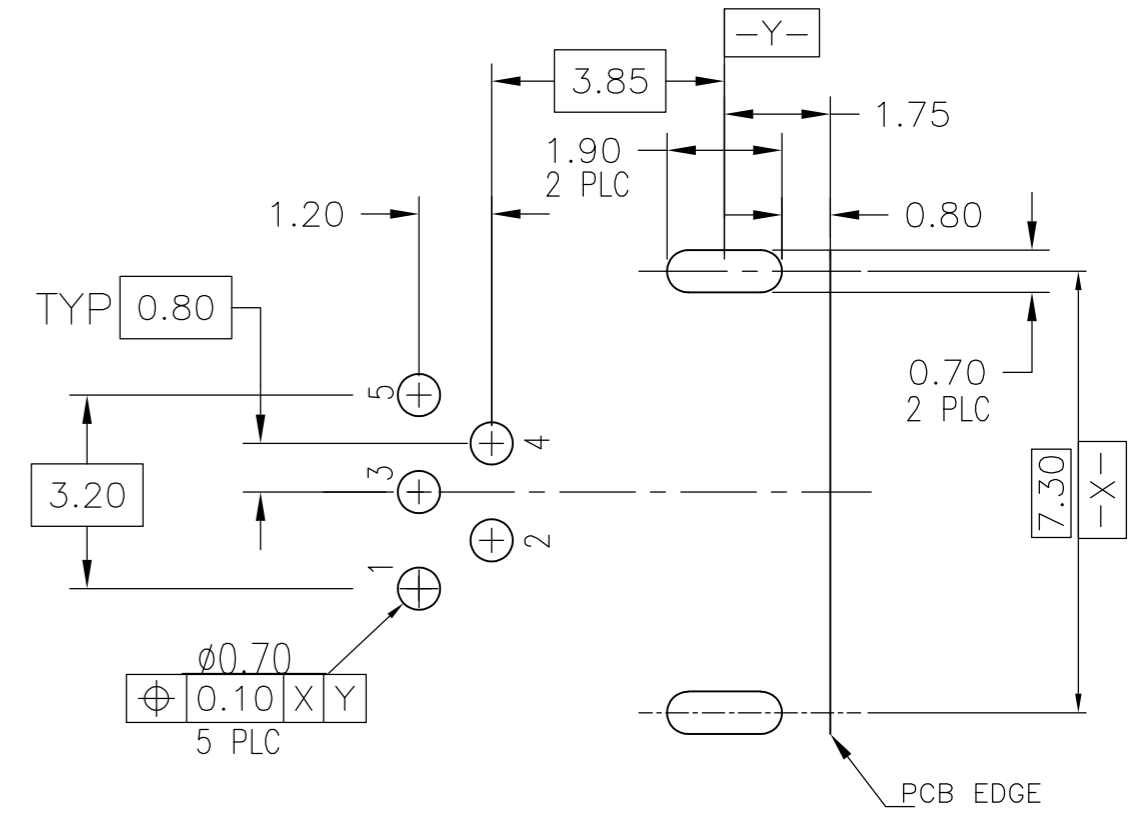
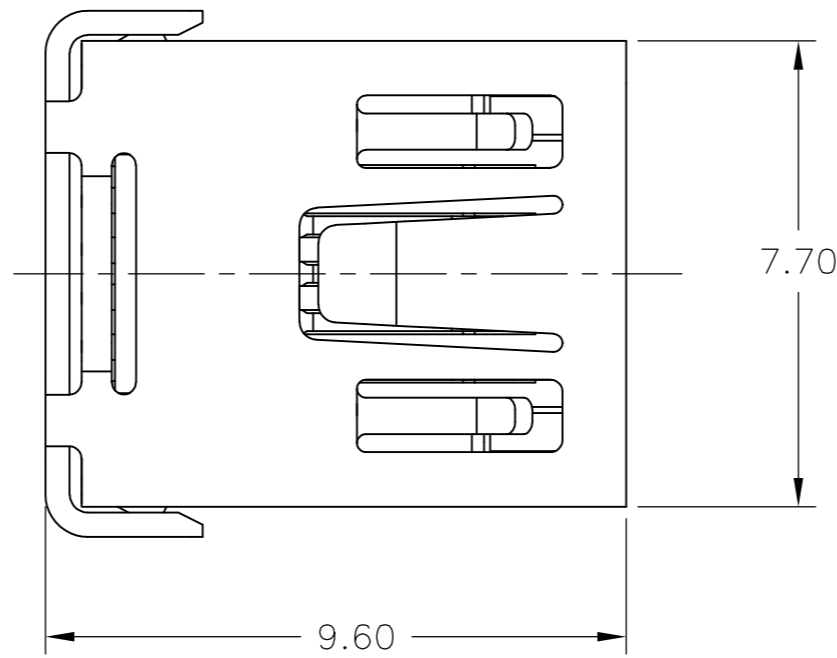
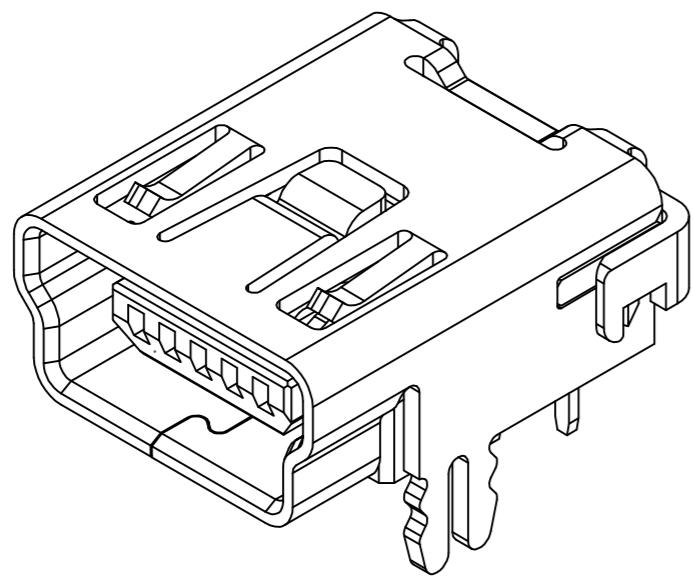
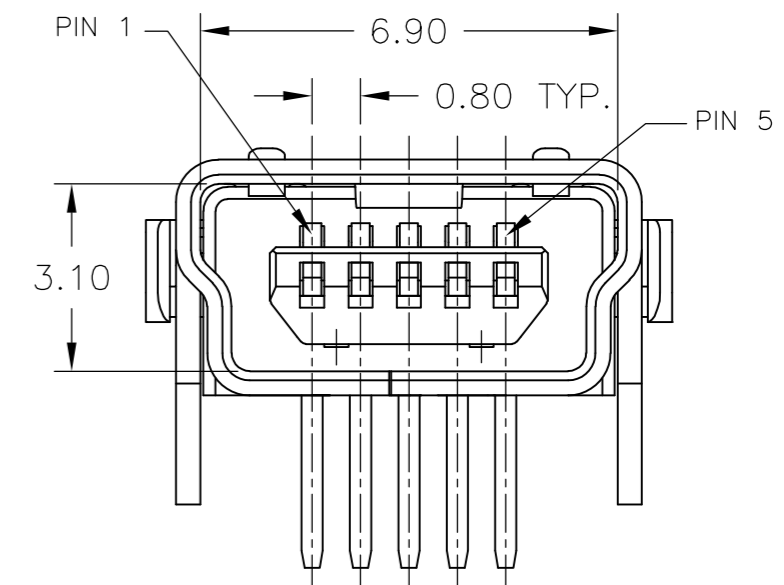
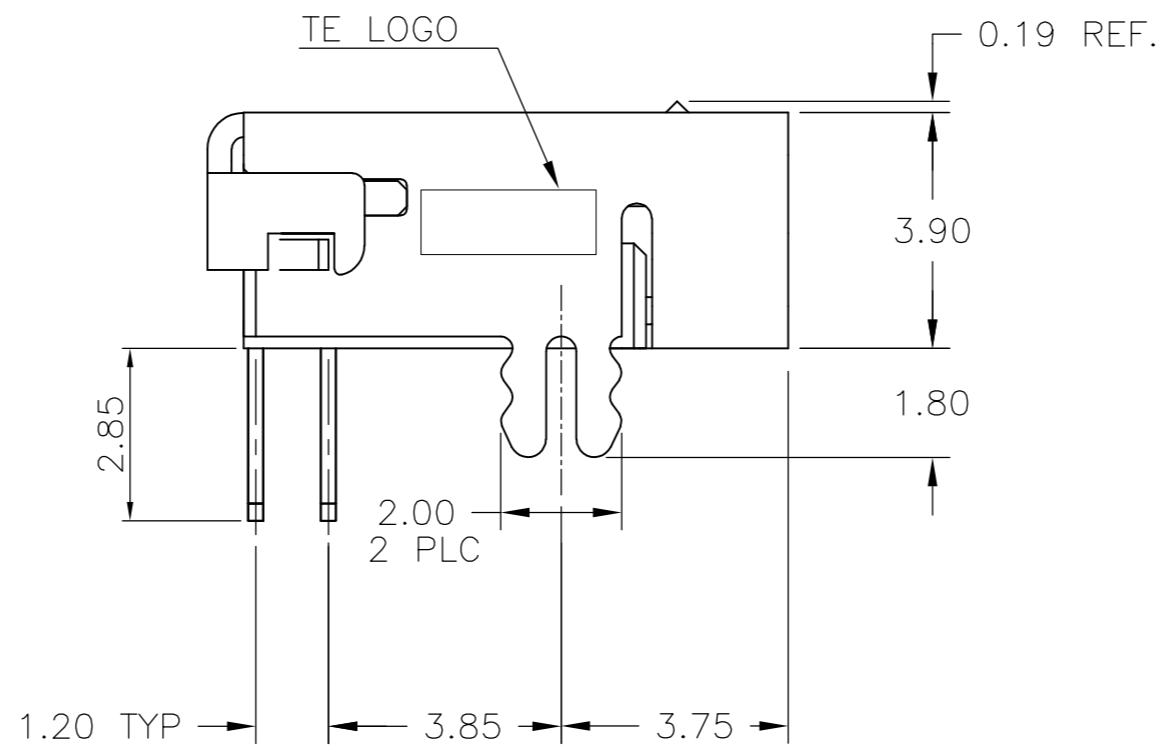
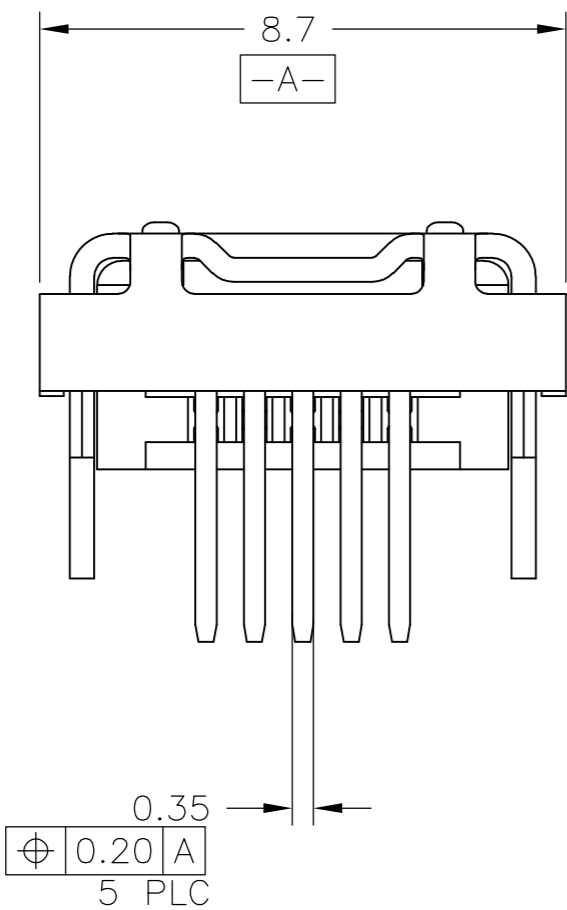


THIS DRAWING IS UNPUBLISHED. RELEASED FOR PUBLICATION  
 © COPYRIGHT - By - ALL RIGHTS RESERVED.

LOC		DIST		REVISIONS			
P	LTR	DESCRIPTION		DATE	DWN	APVD	
-	-	A	REVISED PER ECO-13-005557	29MAR2013	KH	MB	



RECOMMENDED P.C.B LAYOUT (TOP VIEW)  
 (TOLERANCE:±0.05; THICKNESS IS 1.60mm)



- MATERIAL :  
 HOUSING: PBT WITH 30% GLASS FILLED, 15% REGRIND MAX, UL 94V-0,COLOR BLACK.  
 CONTACT: PHOSPHOR BRONZE.  
 SHIELD: PHOSPHOR BRONZE.
- FINISH :  
 CONTACT:GOLD FLASH OVER.  
 0.762um (30u") MIN PALLADIUM-NICKEL PLATING ON CONTACT AREA.  
 2.54um (100u') MIN MATTE TIN PLATED ON SOLDER TAILS  
 1.27um (50u') MIN NICKEL UNDERPLATED ALL OVER.  
 SHIELD: 1.27um(50u') MIN NICKEL PLATED ALL OVER.
- RECOMMENDED PCB THICKNESS :1.60mm.
- WAVE SOLDER CAPABLE TO 265 C PER TE SPEC 109-202,CONDITION B.
- PARTS NOT YET QUALIFIED

2172034-1  
 PART NUMBER

THIS DRAWING IS A CONTROLLED DOCUMENT.		DWN	KIRAN_HOLAL	22FEB2013		TE Connectivity		
DIMENSIONS: mm		CHK	BRUBAKER MARK	22FEB2013		NAME		
TOLERANCES UNLESS OTHERWISE SPECIFIED:		APVD	BRUBAKER MARK	22FEB2013		MINI USB CONN,RCPT,R/A,DIP,B TYPE		
0 PLC ± 0.38 1 PLC ± 0.30 2 PLC ± 0.20 3 PLC ± 0.10 4 PLC ± - ANGLES ± 30°		PRODUCT SPEC		APPLICATION SPEC		RESTRICTED TO		
MATERIAL SEE NOTE		FINISH SEE NOTE		WEIGHT	0.665 GRAMS	SIZE	A2	
		CUSTOMER DRAWING		CAGE CODE	00779	DRAWING NO	C=2172034	
				SCALE	1:1	SHEET	1 OF 2	
				REV	A			

THIS DRAWING IS UNPUBLISHED. RELEASED FOR PUBLICATION  
 © COPYRIGHT - By - ALL RIGHTS RESERVED.

LOC		DIST		REVISIONS			
P	LTR	DESCRIPTION	DATE	DWN	APVD		
-	-	SEE SHEET 1	-	-	-		

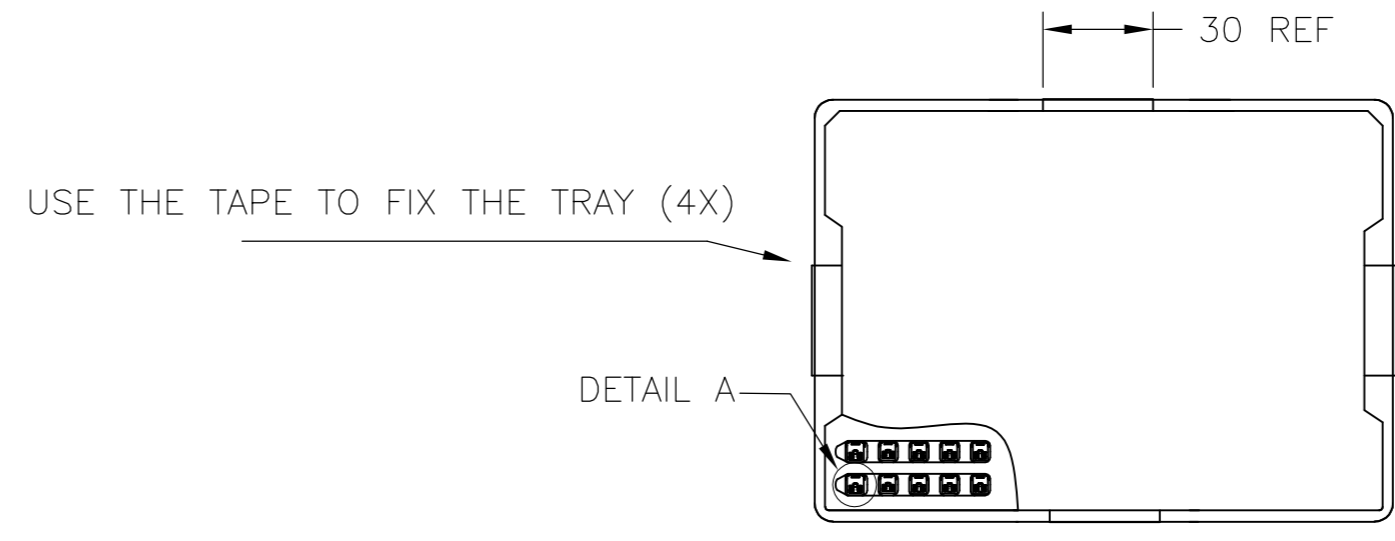
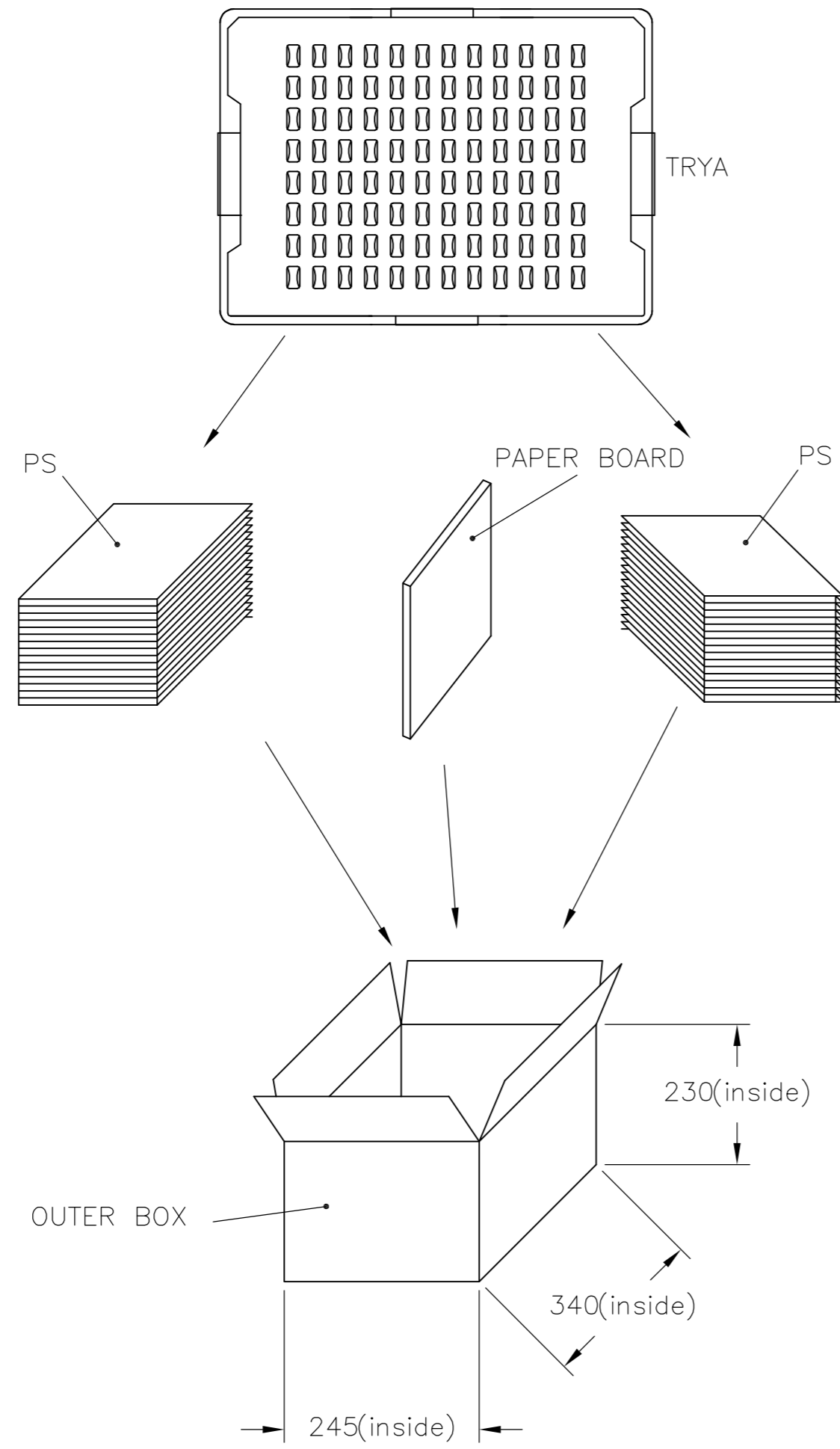
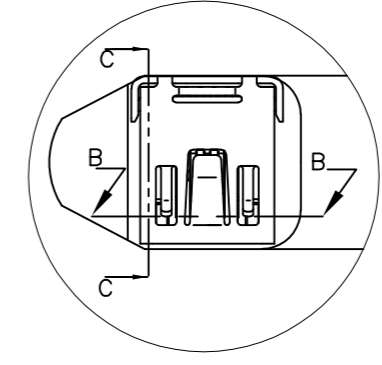


FIGURE E  
HEIGHT : 8mm



DETAIL A  
(SCALE 8:1)

6.2 Kg	3.5 Kg	95	46	4370 PCS
GROSS WEIGHT	NET WEIGHT	PCS/TRAY	TRAYS / CARTON	QUANTITY

THIS DRAWING IS A CONTROLLED DOCUMENT.		DWN 22FEB2013 KIRAN HOLAL	TE Connectivity															
DIMENSIONS: mm		CHK 22FEB2013 BRUBAKER MARK	NAME MINI USB CONN,RCPT,R/A,DIP,B TYPE															
TOLERANCES UNLESS OTHERWISE SPECIFIED:		APVD 22FEB2013 BRUBAKER MARK																
<table border="0"> <tr><td>0 PLC</td><td>± 0.38</td></tr> <tr><td>1 PLC</td><td>± 0.30</td></tr> <tr><td>2 PLC</td><td>± 0.20</td></tr> <tr><td>3 PLC</td><td>± 0.10</td></tr> <tr><td>4 PLC</td><td>± -</td></tr> <tr><td>ANGLES</td><td>± 30°</td></tr> </table>		0 PLC	± 0.38	1 PLC	± 0.30	2 PLC	± 0.20	3 PLC	± 0.10	4 PLC	± -	ANGLES	± 30°	PRODUCT SPEC	SIZE	CAGE CODE	DRAWING NO	RESTRICTED TO
0 PLC	± 0.38																	
1 PLC	± 0.30																	
2 PLC	± 0.20																	
3 PLC	± 0.10																	
4 PLC	± -																	
ANGLES	± 30°																	
MATERIAL SEE NOTE		FINISH SEE NOTE	WEIGHT 0.665 GRAMS	A2 00779	C=2172034	-												
		CUSTOMER DRAWING		SCALE 1:1	SHEET 2 OF 2	REV A												

2172034

单击下面可查看定价，库存，交付和生命周期等信息

[>>TE Connectivity\(泰科\)](#)