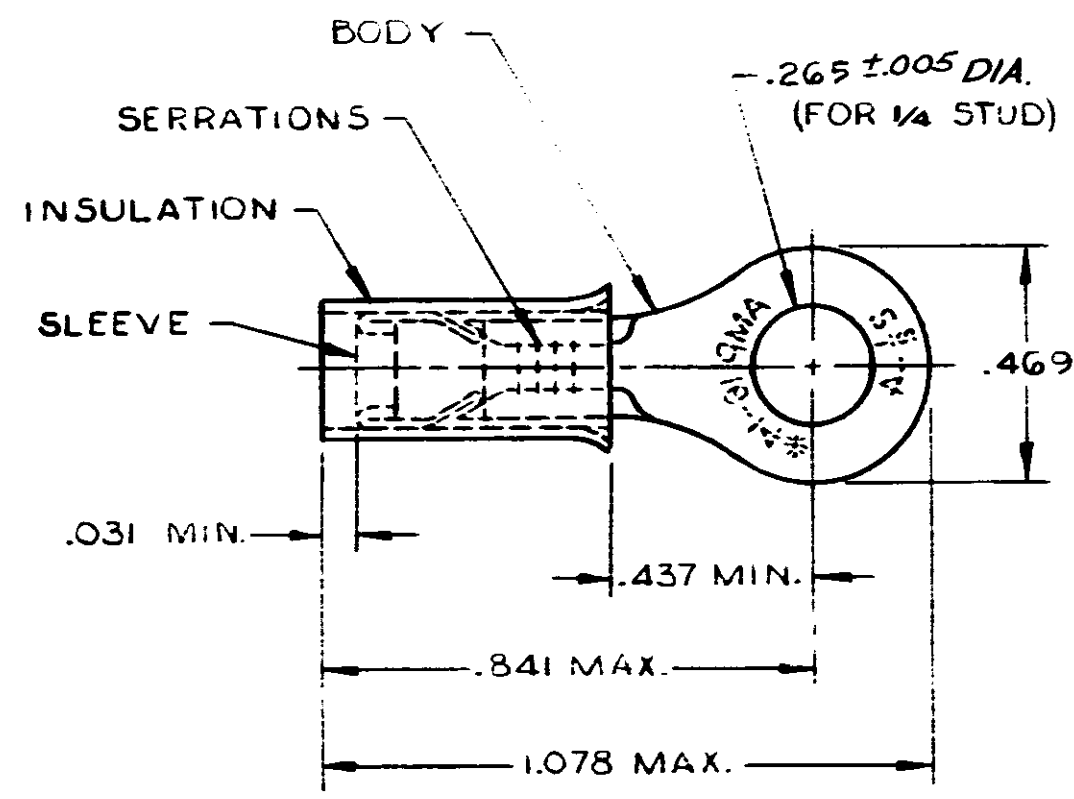


THIS DRAWING IS UNPUBLISHED. RELEASED FOR PUBLICATION . 19 .  
 © COPYRIGHT 19 BY AMP INCORPORATED, HARRISBURG, PA. ALL INTERNATIONAL RIGHTS RESERVED. AMP PRODUCTS MAY BE COVERED BY U.S. AND FOREIGN PATENTS AND/OR PATENTS PENDING.

REVISIONS						
P	F	ZONE	LTR	DESCRIPTION	DATE	APPROVED
✓	✓		J	REDRAWN-REV. PER G-1475, G-1175, PB5-0045 & PB5-0046	1/9/86	Bm
✓	✓		K	REV G-2348	DAP 4-87	Bm
✓	✓		L	OBS. 2--3 PER G-3358	4-25-88	28/47
✓	✓		M	OBSOLETE 2--2 PER G-4247	JT 10/14/88	AG
✓	✓		N	REV. PER G-3879	DKS 12-88	47
✓	✓		P	OBS. 1--1 G-3729	DKS 1-24-87	47



- 1 WIRE INSULATION DIA. = .115-.170
- 2 TONGUE MATERIAL THK. = .031 ± .002
- 3 TIN PL. (MIL-T-10727) .0001 MIN. EXT THK.
- 4 FOREIGN PRODUCTION ONLY

OBSOLETE	<del>100</del>	ON TAPE, SM. BOX	<del>2-31906-3</del>
OBSOLETE	<del>1000</del>	ON TAPE, LG. BOX	<del>2-31906-2</del>
OBSOLETE	4000	ON TAPE, REEL	1-31906-1
	<del>—</del>	LOOSE PIECE	31906

UNLESS OTHERWISE SPECIFIED DIMENSIONS ARE IN INCHES. TOLERANCES ON:		CONTRACT NO		AMP   AMP INCORPORATED Harrisburg, Pa.	
DECIMALS ± .002		DR UTA / RFB 9-18-85		NAME	
ANGLES ± —		CHK P. Muty, 11/9/86		TERMINAL	
MATERIAL INSULATION: PVC - BLUE		APPD [Signature]		P.I.D.G., RING TONGUE	
BODY & SLEEVE: COPPER (QG-C-576)		DSGN APPD		WIRE SIZE: 16-14	
FINISH BODY-3		OTHER APPD		SIZE B	FSCM NO 00779
				SCALE NTS	DRAWING NO 31906
				SHEET 1 OF 1	

单击下面可查看定价，库存，交付和生命周期等信息

[>>TE Connectivity\(泰科\)](#)