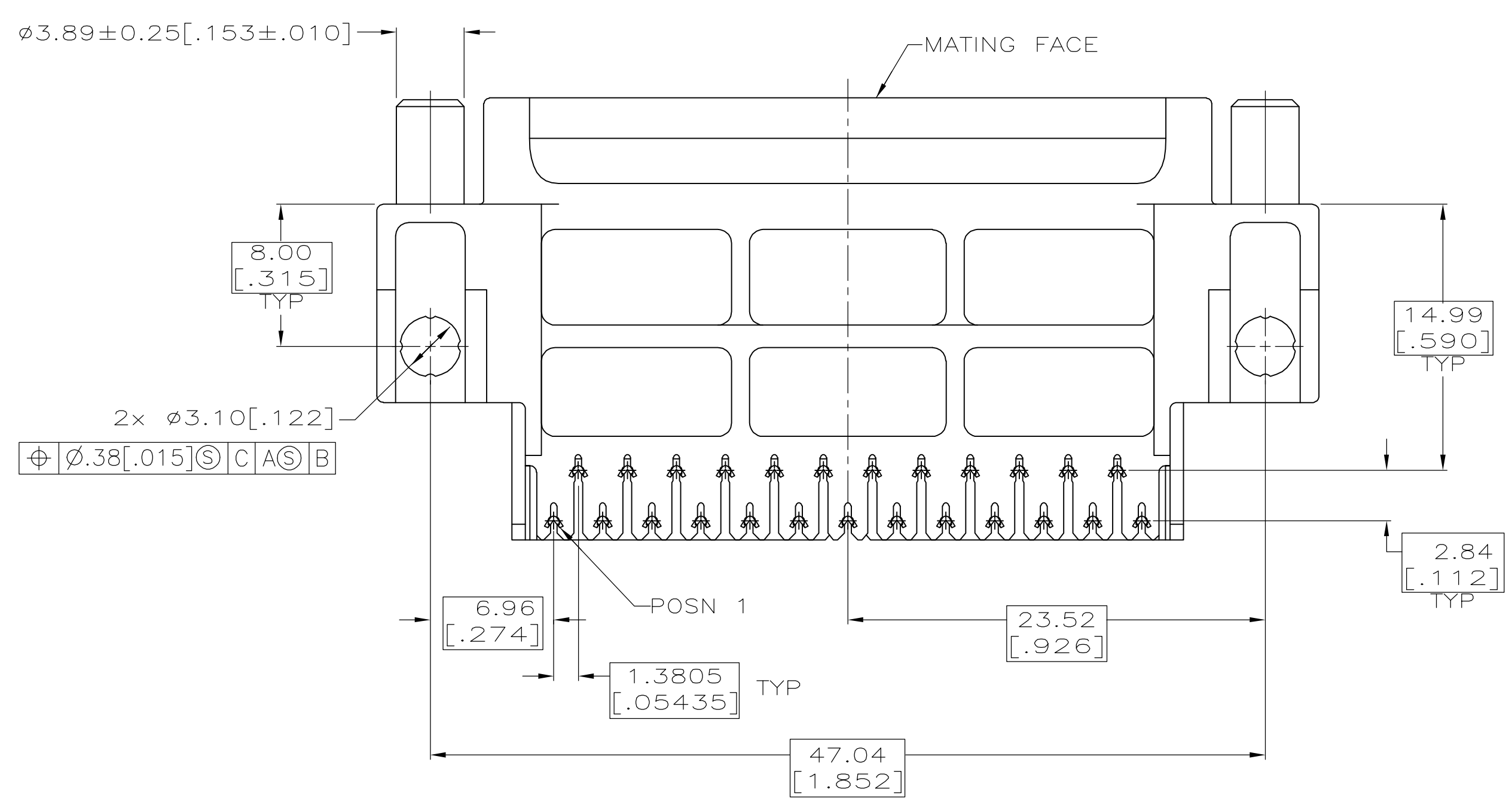


PC BOARD MOUNTING DIMENSIONS

- ⚠ POSITION TOLERANCE APPLIES AT TIP ONLY.
- ⚠ HOUSING: FLAME RETARDENT UL94V-0 RATED, GLASS FILLED NYLON OR POLYESTER, COLOR BLACK.
- CONTACTS: BRASS.
- SCREWLOCKS: ZINC.
- ⚠ CONTACTS: GOLD PLATED FOR A LENGTH OF 3.81 [.150] MIN FROM MATING END, 0.76 μm [.000030] MIN GOLD IN MATED AREA, 2.54 μm [.0001] MIN TIN FOR A LENGTH OF 3.68 [.145] MIN FROM OPPOSITE END, BOTH OVER 1.27 μm [.000050] MIN NICKEL.
- SCREWLOCKS: CLEAR CHROMATE COATING.



5748953-1
PART NO

**COPYRIGHT 2005
TYCO ELECTRONICS CORP
ALL RIGHTS RESERVED**

THIS DRAWING IS A CONTROLLED DOCUMENT.		DWN: S. PETERS	22SEP05		Tyco Electronics Corporation Harrisburg, PA 17105-3608
DIMENSIONS: INCHES		CHK: S. BOLASH	22SEP05		NAME: M. WALMSLEY
TOLERANCES UNLESS OTHERWISE SPECIFIED:		APPLICATION SPEC: 114-40027		SIZE: A1	CAGE CODE: 00779
0 PLC ± - 1 PLC ± - 2 PLC ± 0.13 [.005] 3 PLC ± - 4 PLC ± - ANGLES ± ±		WEIGHT: -		SCALE: 4:1	SHEET 1 OF 1
MATERIAL: -		FINISH: -		CUSTOMER DRAWING	

单击下面可查看定价，库存，交付和生命周期等信息

[>>TE Connectivity\(泰科\)](#)