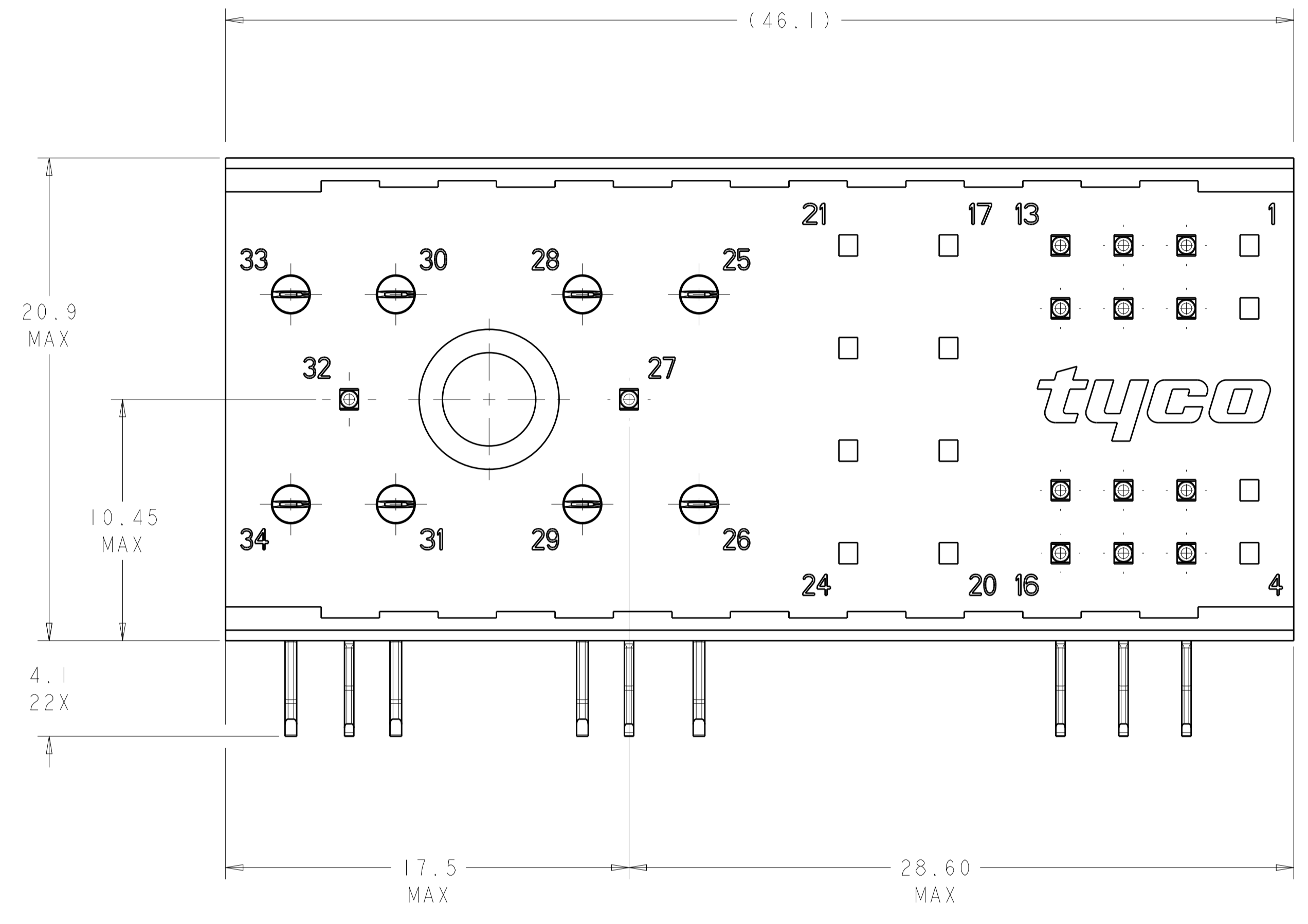
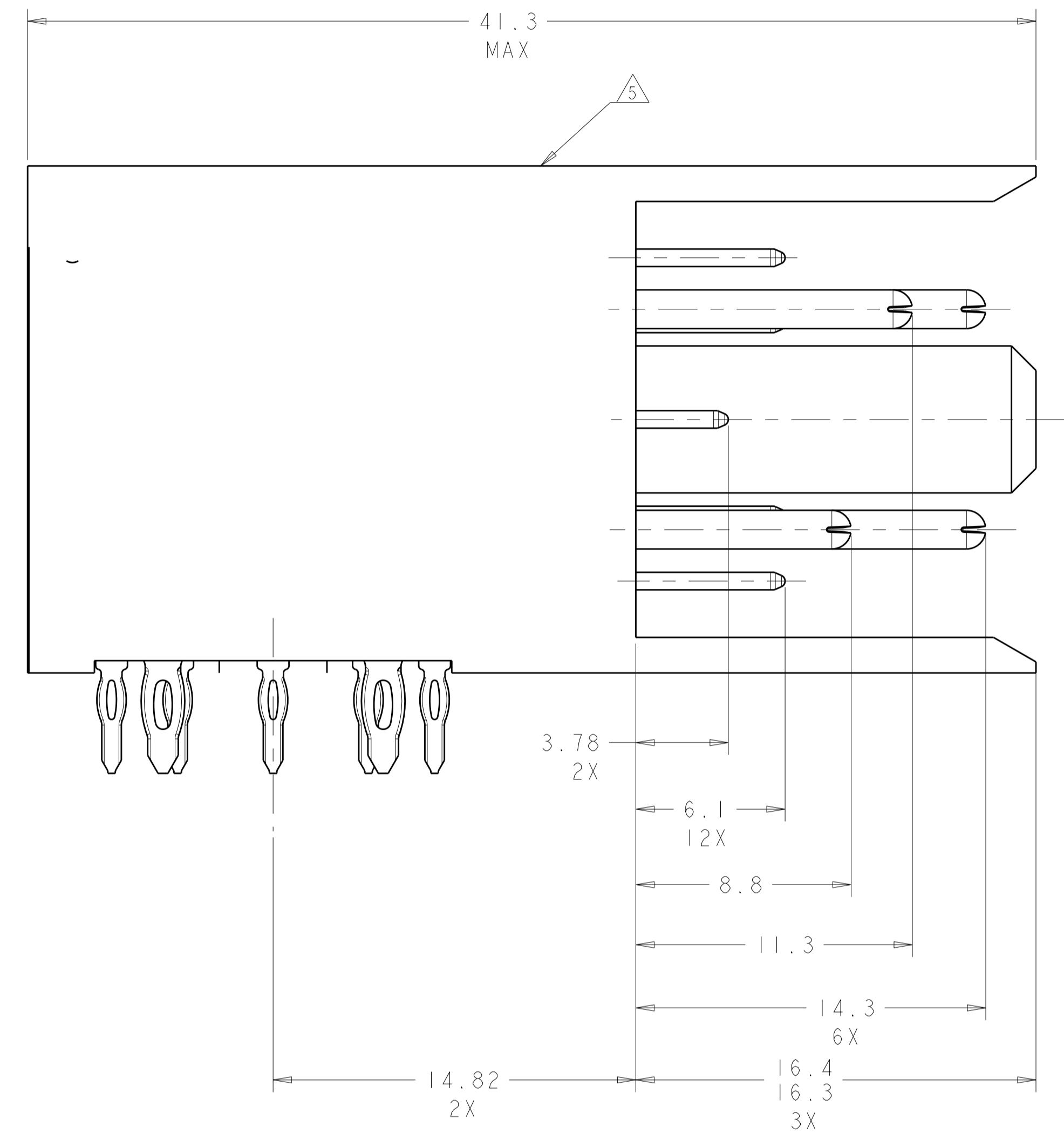


LOC		DIST		REVISONS			
P	LTN	DESCRIPTION	DATE	DWN	APVD		
F		REV PER ECO-09-007182	05JUN2009	RG	MS		



**MATERIALS:**  
 HOUSING: HIGH TEMP THERMOPLASTIC, UL94V-0, GRAY.  
 SIGNAL CONTACTS: COPPER ALLOY  
 POWER CONTACTS: COPPER ALLOY

**CONTACT FINISH:**  
 ALL OVER: 0.00127 MIN NICKEL  
 COMPLIANT PIN AREA: 0.00127 MIN TIN  
 MATING AREA: 0.00076 MIN GOLD

- 3. CONTACTS LOADED AT POSITIONS 5-16 AND 25-34 ONLY.
- 4. HOLES INDICATED ARE NOT REQUIRED FOR TYCO PRODUCT.
- 5. TYCO PART NUMBER AND DATE CODE (YYWW) LOCATED ON SURFACE INDICATED.
- 6. DATUM AND BASIC DIMENSION TO BE ESTABLISHED BY CUSTOMER.

**CONTACT FINISH:**  
 ALL OVER: 0.00127 MIN NICKEL  
 COMPLIANT PIN AREA: 0.00127 MIN TIN-LEAD  
 MATING AREA: 0.00076 MIN GOLD

8. CONTACT AREA LUBRICATED WITH BELLCORE APPROVED LUBRICANT. TECHNICAL REFERENCE: GR-1217-COR, ISSUE 1, NOVEMBER 1995.

CONTACT POSN	PIN LENGTH
1-4, 17-24	NOT USED
5-16	6.1
25, 26, 28-31	14.3
27, 32	3.8
33	11.3
34	8.8

PLATING	MATING PIN DIAMETER	CONTACT QTY	SIZE NO	PART NO
2	Ø0.762	14	22	1766502-2
	Ø1.58	8	16	1766502-1

THIS DRAWING IS A CONTROLLED DOCUMENT. DWN: HAMNER 08MAY2006  
 CHK: M. McALONIS 11MAY2006  
 APVD: M. McALONIS 11MAY2006

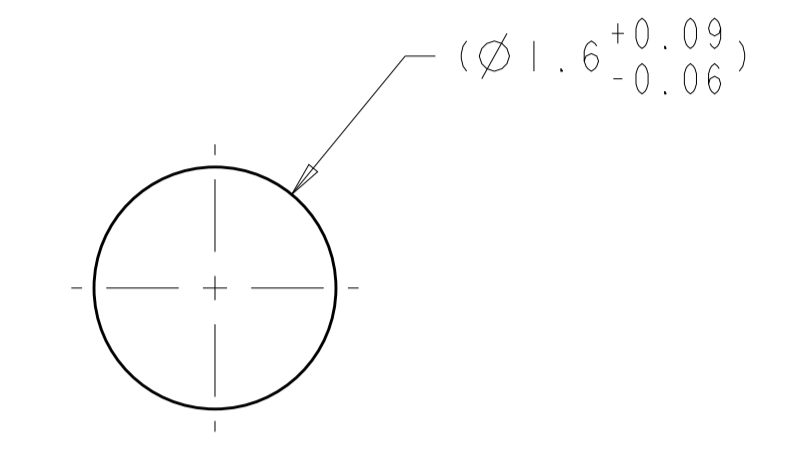
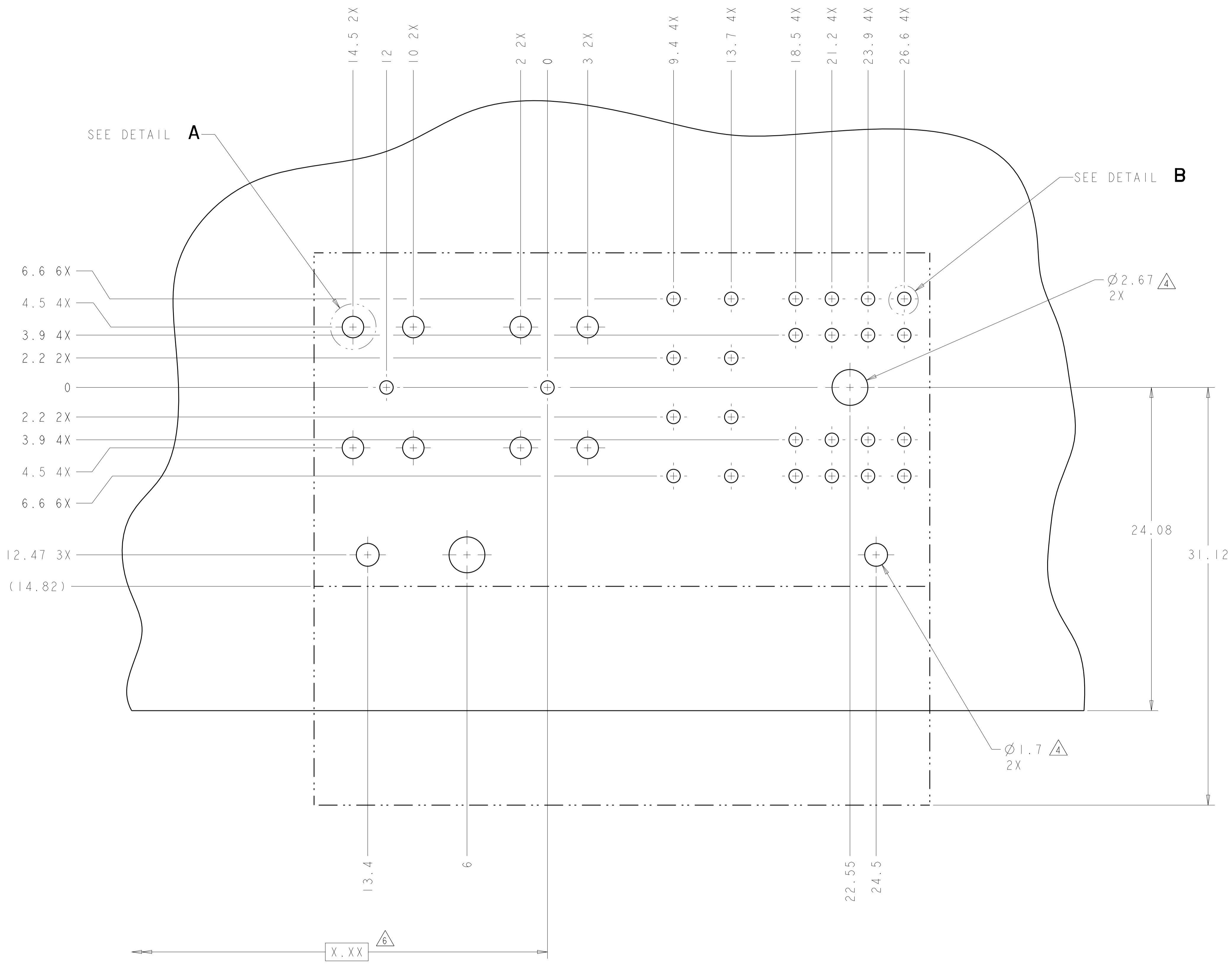
**STE** TE Connectivity

NAME: ASSEMBLY, RT ANGLE, AdvancedTCA, SELECT LOAD, ZONE 1

SIZE: A1 CAGE CODE: 114-13156 DRAWING NO: 100779 ©=1766502

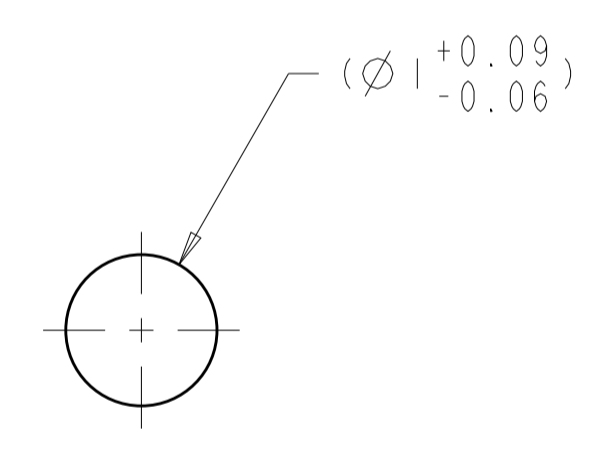
RESTRICTED TO: Customer Drawing SCALE: 6:1 SHEET 1 OF 2 REV F

LOC	DIST	REVISIONS					
GP	00	P.	LTN	DESCRIPTION	DATE	DWN	APVD
		-		SEE SHEET 1			



DETAIL A  
 SCALE 20:1  
 8X (SIZE 16)

FINISHED HOLE:  $\varnothing 1.6^{+0.09}_{-0.06}$   
 DRILLED HOLE:  $\varnothing 1.75 \pm 0.025$   
 COPPER PLATE: 0.025 MIN (PER SURFACE)  
 TIN PLATE: 0.008 MIN (PER SURFACE)



DETAIL B  
 SCALE 20:1  
 26X (SIZE 22)

FINISHED HOLE:  $\varnothing 1^{+0.09}_{-0.06}$   
 DRILLED HOLE:  $\varnothing 1.15 \pm 0.025$   
 COPPER PLATE: 0.025 MIN (PER SURFACE)  
 TIN PLATE: 0.008 MIN (PER SURFACE)

RECOMMENDED PCB LAYOUT  
 VIEWED FROM CONNECTOR SIDE

THIS DRAWING IS A CONTROLLED DOCUMENT.		DWN: HAMNER 08MAY2006	TE Connectivity
DIMENSIONS: mm		CHK: M. McALONIS 11MAY2006	
TOLERANCES UNLESS OTHERWISE SPECIFIED: 0 PLC ±0.5 1 PLC ±0.13 2 PLC ±0.013 3 PLC ±0.001 4 PLC ±0.0001 ANGLES ±		APVD: M. McALONIS 11MAY2006	NAME: ASSEMBLY, RT ANGLE, AdvancedTCA, SELECT LOAD, ZONE 1
MATERIAL: -		PRODUCT SPEC: 108-2216	SIZE: A100779
FINISH: -		APPLICATION SPEC: 114-13156	CAGE CODE: 1766502
X.XX		WEIGHT: -	RESTRICTED TO: -
Customer Drawing		SCALE: 6:1	SHEET 2 OF 2 REV F

单击下面可查看定价，库存，交付和生命周期等信息

[>>TE Connectivity\(泰科\)](#)