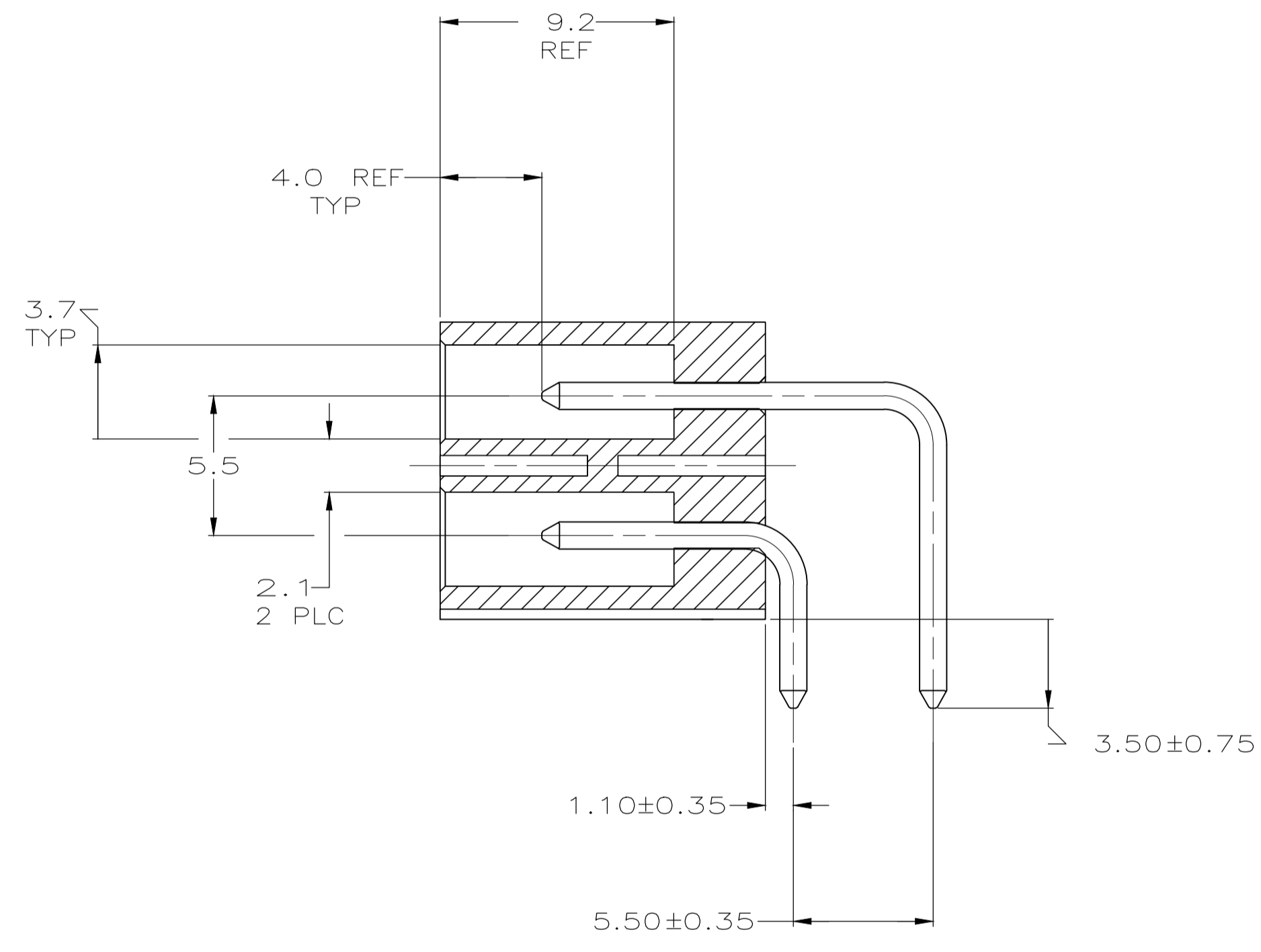
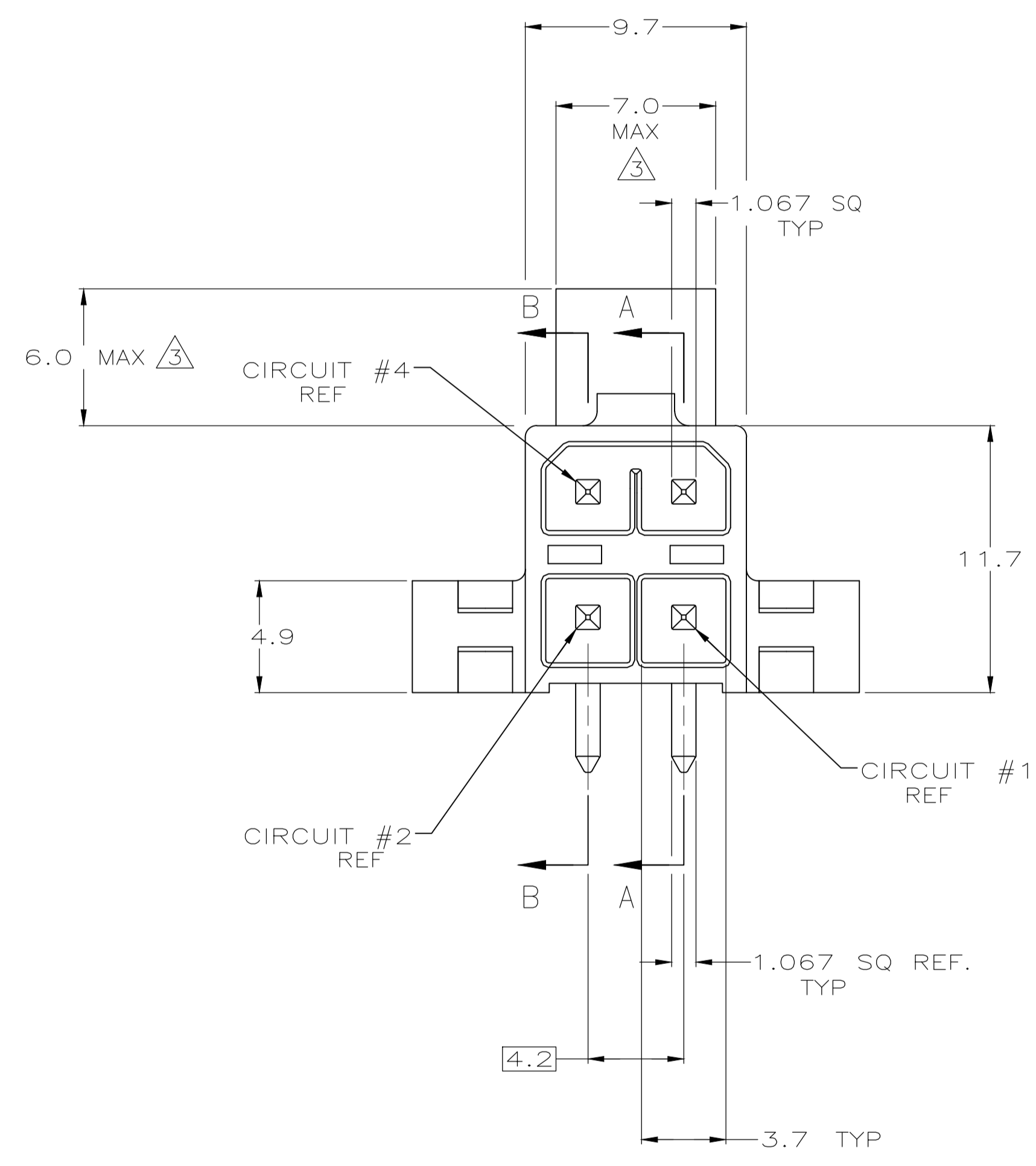
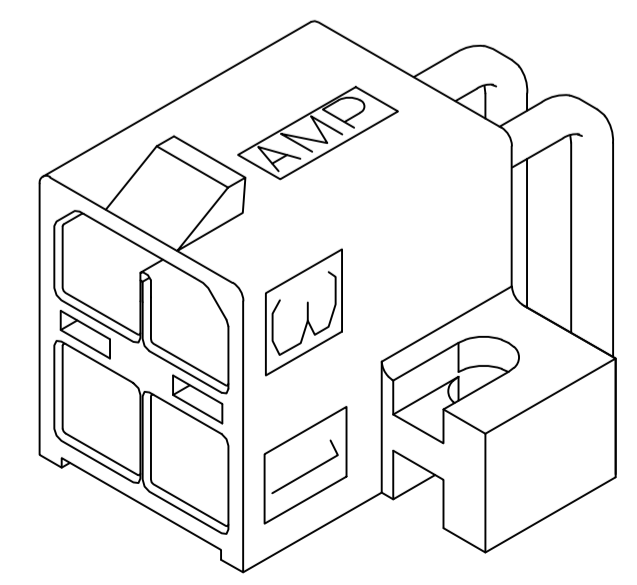
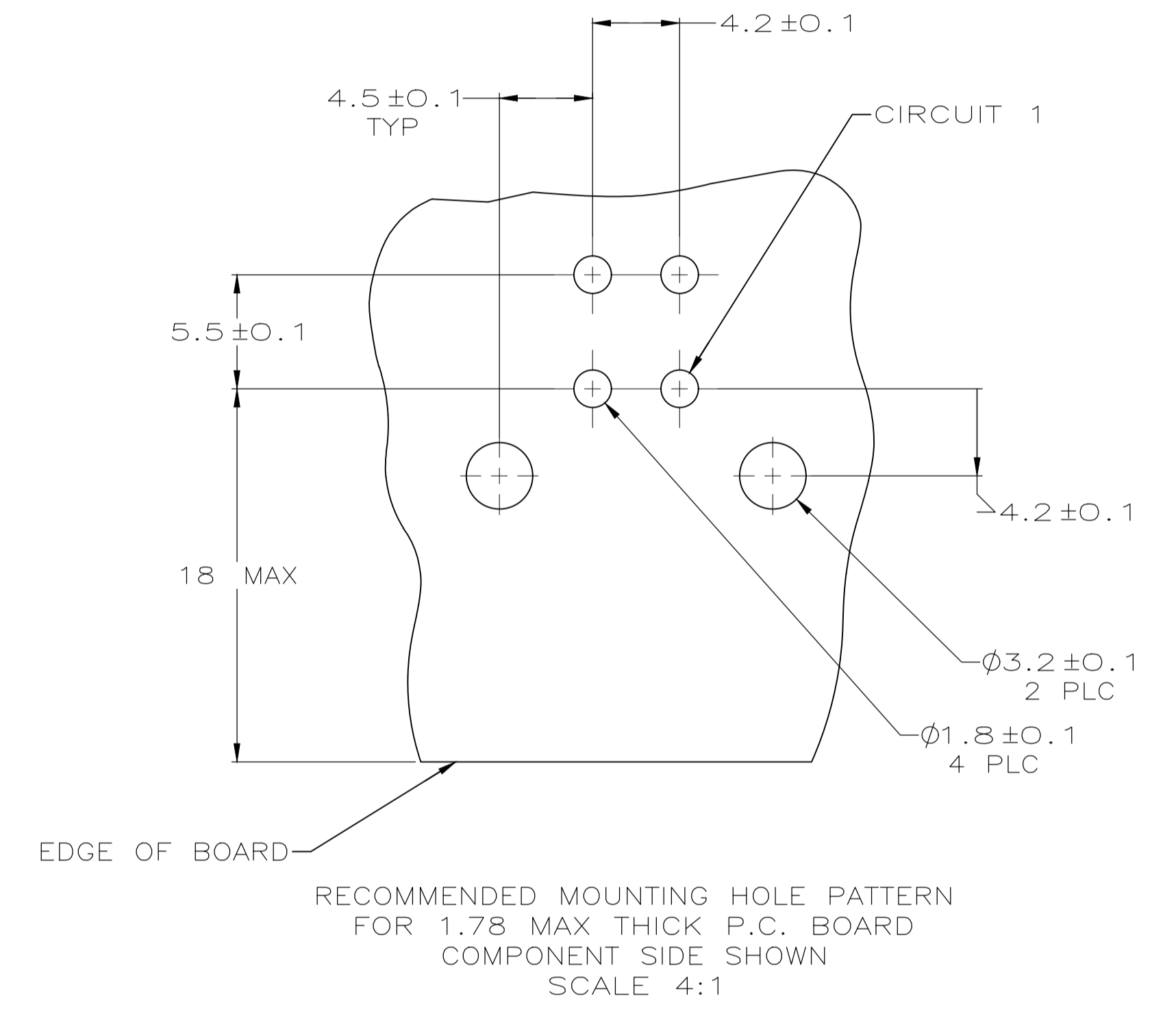


SECTION A-A



SECTION B-B

- △ CONTACT: 0.00076 GOLD AT INTERFACE. 0.00254 MIN MATTE TIN ON SOLDER TAIL. 0.00127 MIN NICKEL UNDERPLATE ALL OVER.
- 2. MATES WITH AMP-DUAC/PL PLUG RECEPTACLE 794152 AND ITS CONTACTS.
- △ CLEARANCE ENVELOPE FOR MATING PLUG RECEPTACLE LATCH.
- △ ALL POSTS STANDARD.
- △ CONTACT GROUND POST LOCATED IN CIRCUIT 3, ASSEMBLY P/N 5794172-3.
- 7. NO POST IN POSITION 1
- 8. NO POST IN POSITION 2
- 9. NO POST IN POSITION 4



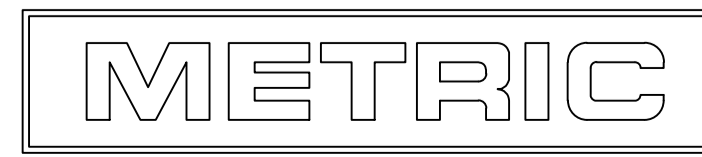
3-DIMENSIONAL MODEL NTS

OBSOLETE △ 9
 OBSOLETE △ 8
 OBSOLETE △ 7
 OBSOLETE △ 6
 OBSOLETE △ 5

5794172-3 SHOWN

MATERIAL	FINISH	MATERIAL	COLOR	PART NO
BRASS	△ 9	PBT, UL94V-0	NATURAL(WHITE)	5794172-6
BRASS	△ 8	PBT, UL94V-0	NATURAL(WHITE)	5794172-5
BRASS	△ 7	PBT, UL94V-0	NATURAL(WHITE)	5794172-4
BRASS	△ 6	PBT, UL94V-0	NATURAL(WHITE)	5794172-3
BRASS	△ 5	PBT, UL94V-0	NATURAL(WHITE)	5794172-2

THIS DRAWING IS A CONTROLLED DOCUMENT.		DIN R.GRZYBOWSKI D4MAR05		TE Connectivity	
DIMENSIONS: mm		CIK A.FRANTUM D4MAR05			
TOLERANCES UNLESS OTHERWISE SPECIFIED:		APVD A.FRANTUM D4MAR05		NAME	
0 PLC ± -		PRODUCT SPEC		HEADER ASSEMBLY, RIGHT ANGLE, 4 CIRCUIT, AMPDUAC/PL POWER CONNECTOR	
1 PLC ± 0.2		APPLICATION SPEC		SIZE	
2 PLC ± 0.13		114-6067		CAGE CODE DRAWING NO	
3 PLC ± -		WEIGHT		A1 00779	
4 PLC ± -		CUSTOMER DRAWING		SCALE 5:1 SHEET 1 OF 1 REV A2	
ANGLES ± -					
± 0° 30'					



单击下面可查看定价，库存，交付和生命周期等信息

[>>TE Connectivity\(泰科\)](#)