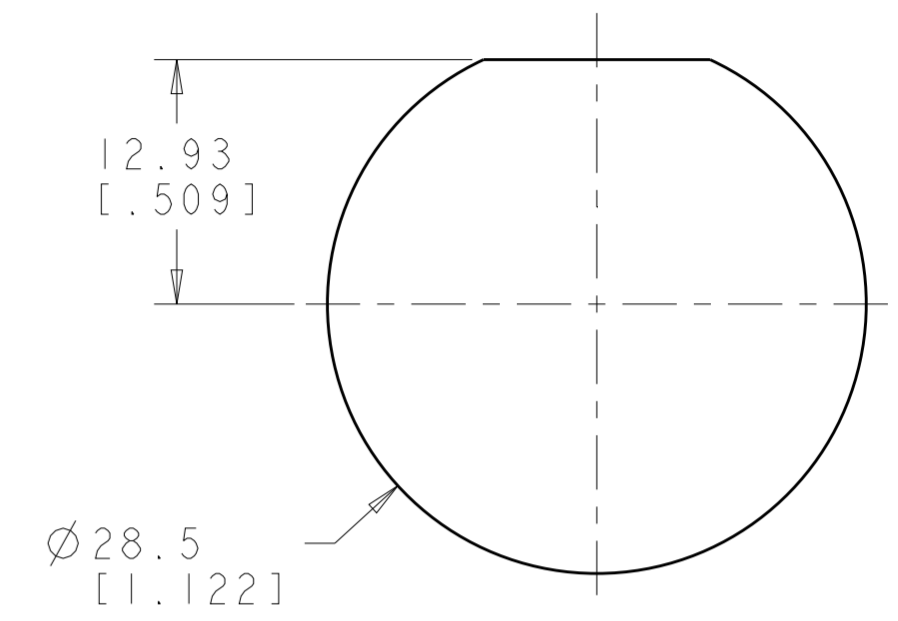
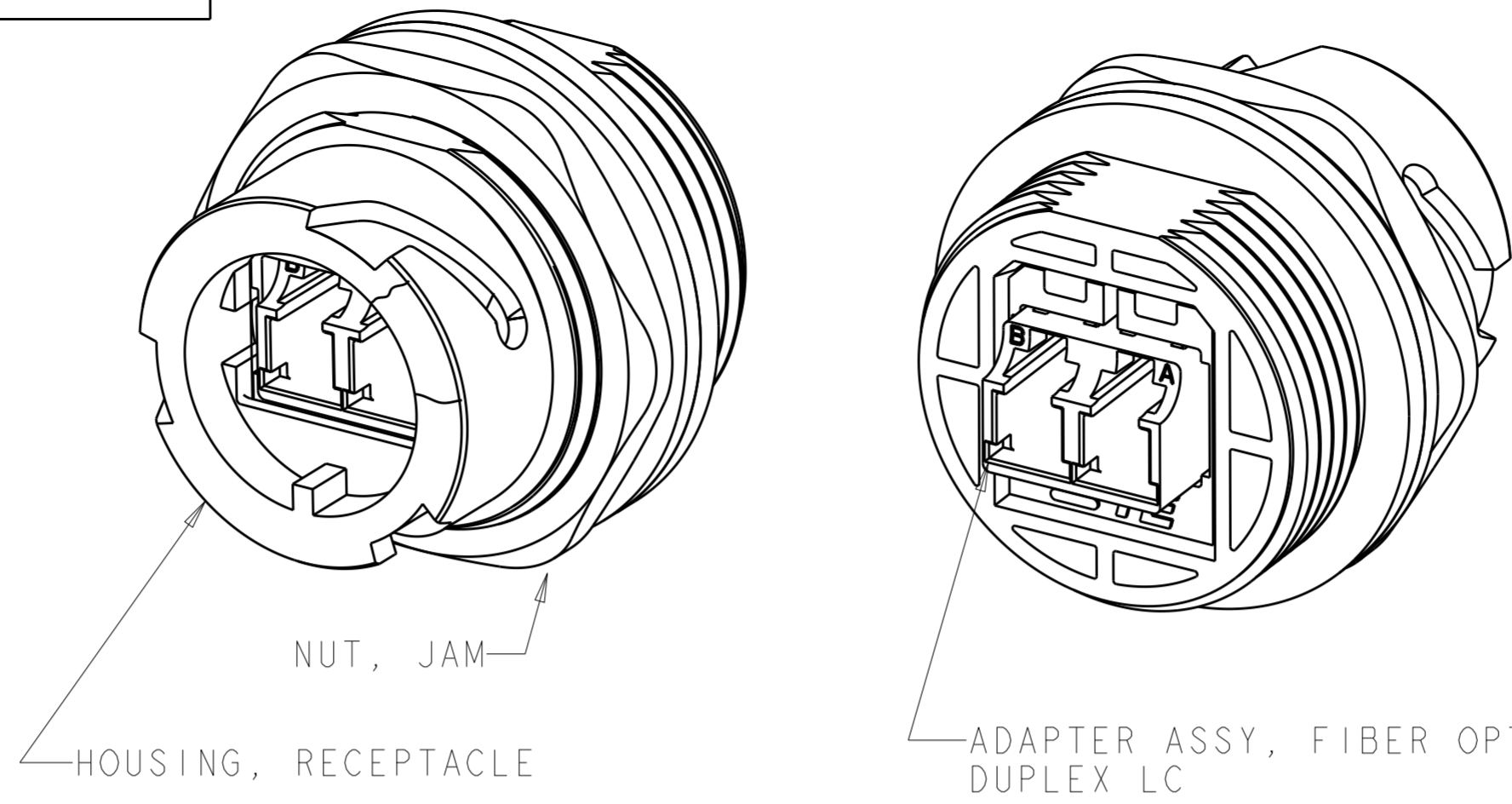
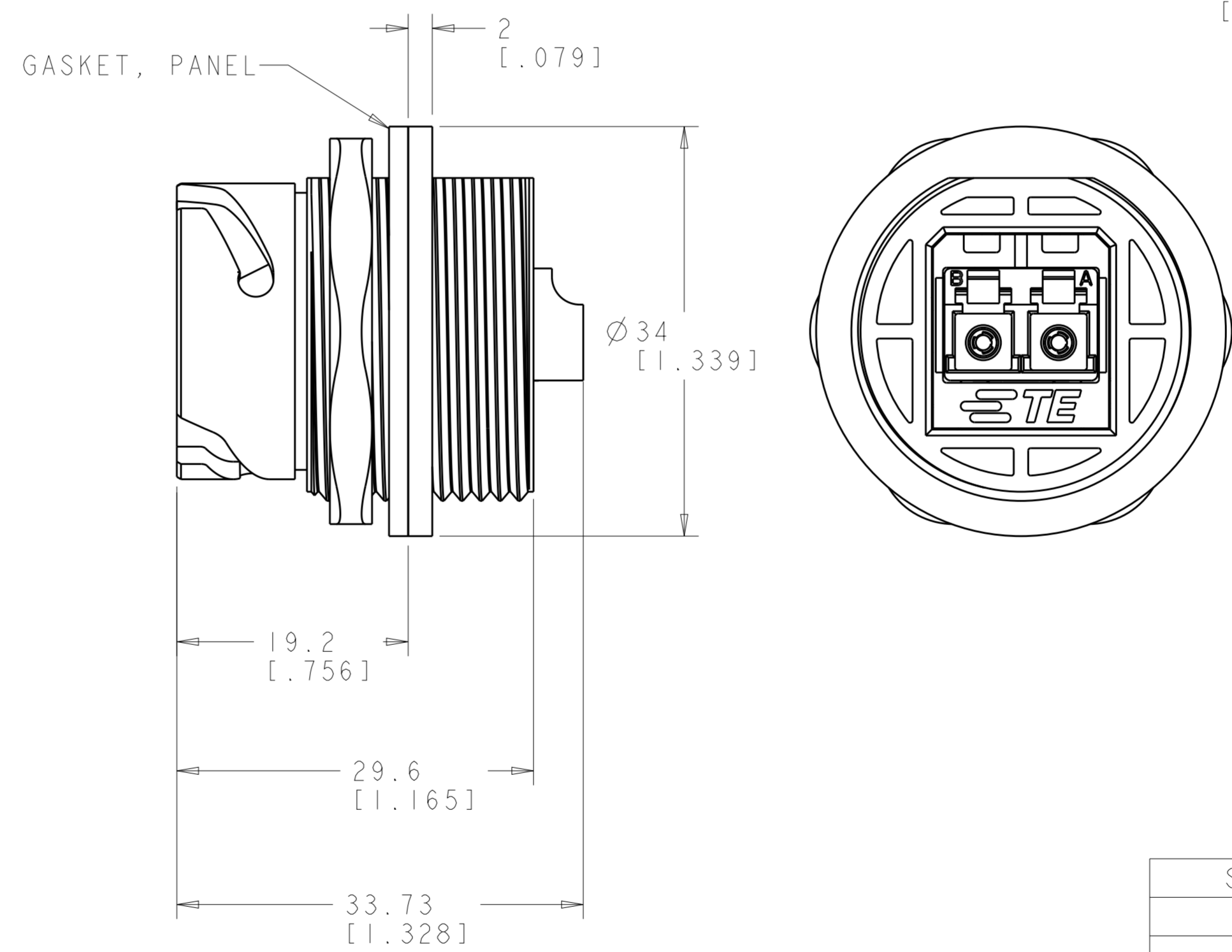
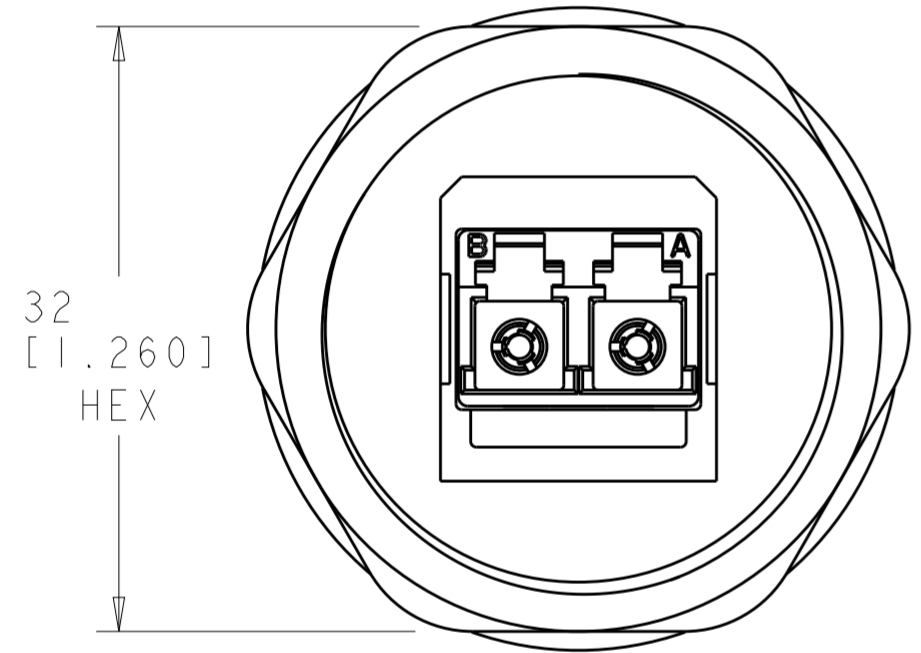


THIS DRAWING IS UNPUBLISHED. RELEASED FOR PUBLICATION 20
 © COPYRIGHT 20 BY - ALL RIGHTS RESERVED.

REVISIONS					
P	LTR	DESCRIPTION	DATE	DWN	APVD
A		REL TO ACTIVE PER ECR-08-029127	10DEC2008	DDE	DDE
AI		ECR-13-016190	180C2013	KZ	RZ



RECOMMENDED PANEL CUT-OUT
 MAX PANEL THICKNESS 3.2mm



MATERIAL:
 HOUSING, RECEPTACLE: PBT, COLOR: BLACK*
 NUT, PANEL: BRASS, Ni PLATED
 GASKET: SILICONE, COLOR: RED/ORANGE

LC DUPLEX ADAPTER ASSY:
 HOUSING: PEI, COLOR: MM BEIGE, SM BLUE*
 PROTECTIVE COVERS: TPE, COLOR: BLACK*
 ALIGNMENT SLEEVES: MM METAL, SM CERAMIC

* UL 94 V-0 RATED AT QUALIFYING THICKNESS.

- ADAPTER PROTECTIVE COVERS ARE INCLUDED; NOT SHOWN.
- ADAPTER SEALED PROTECTIVE CAP W/ TETHER IS ALSO AVAILABLE, P/N 1918177-1.

SINGLEMODE	1828619-2
MULTIMODE	1828619-1
DESCRIPTION	PART NO

THIS DRAWING IS A CONTROLLED DOCUMENT.		DWN D. ERDMAN 19MAY2005	 TE Connectivity
DIMENSIONS: mm [IN]		CHK M. GURRERI 19MAY2005	
TOLERANCES UNLESS OTHERWISE SPECIFIED:		APVD - 19MAY2005	
0 PLC	±0.2	PRODUCT SPEC	NAME KIT, RECEPTACLE, INDUSTRIAL DUPLEX LC ODVA
1 PLC	±0.1	APPLICATION SPEC	
2 PLC	±0.1	WEIGHT	SIZE A2
3 PLC	±	CUSTOMER DRAWING	CAGE CODE 00779
4 PLC	±	SCALE 5:2	DRAWING NO 1828619
ANGLES	±	SHEET OF	RESTRICTED TO
FINISH	-	REV A1	

单击下面可查看定价，库存，交付和生命周期等信息

[>>TE Connectivity\(泰科\)](#)