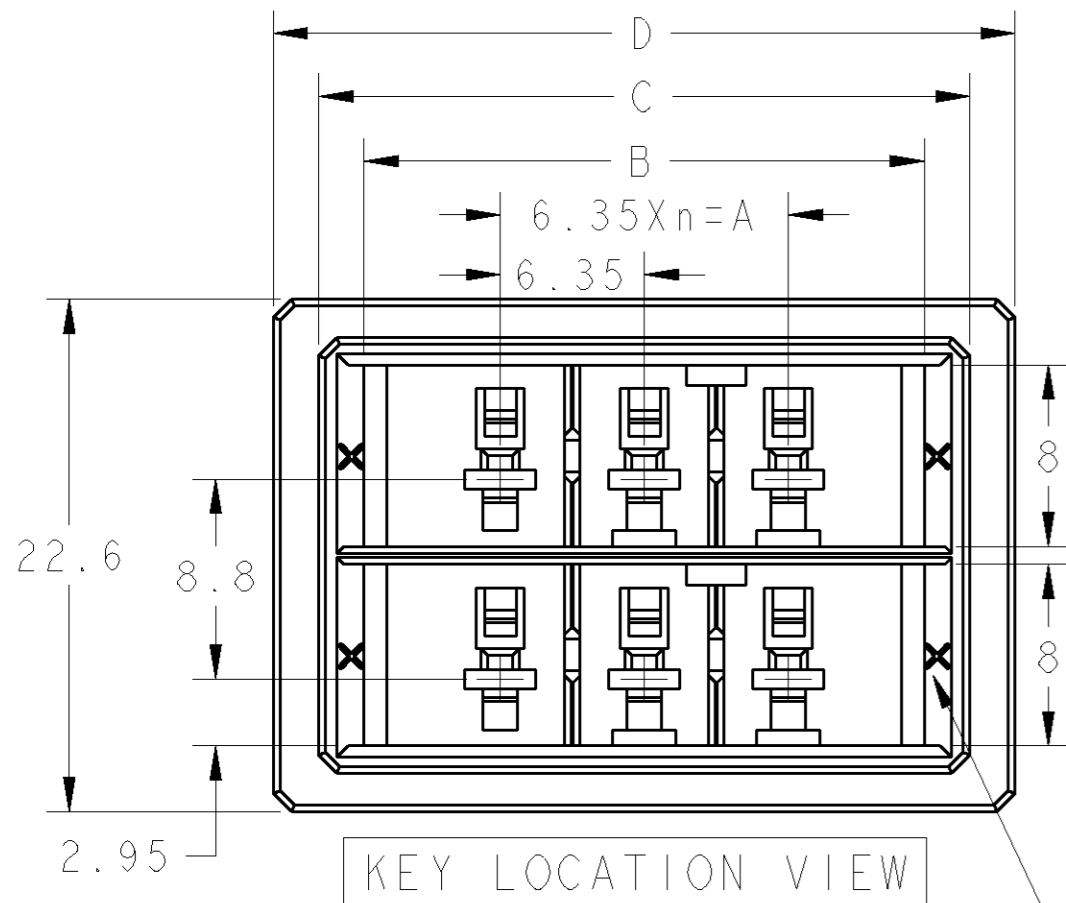
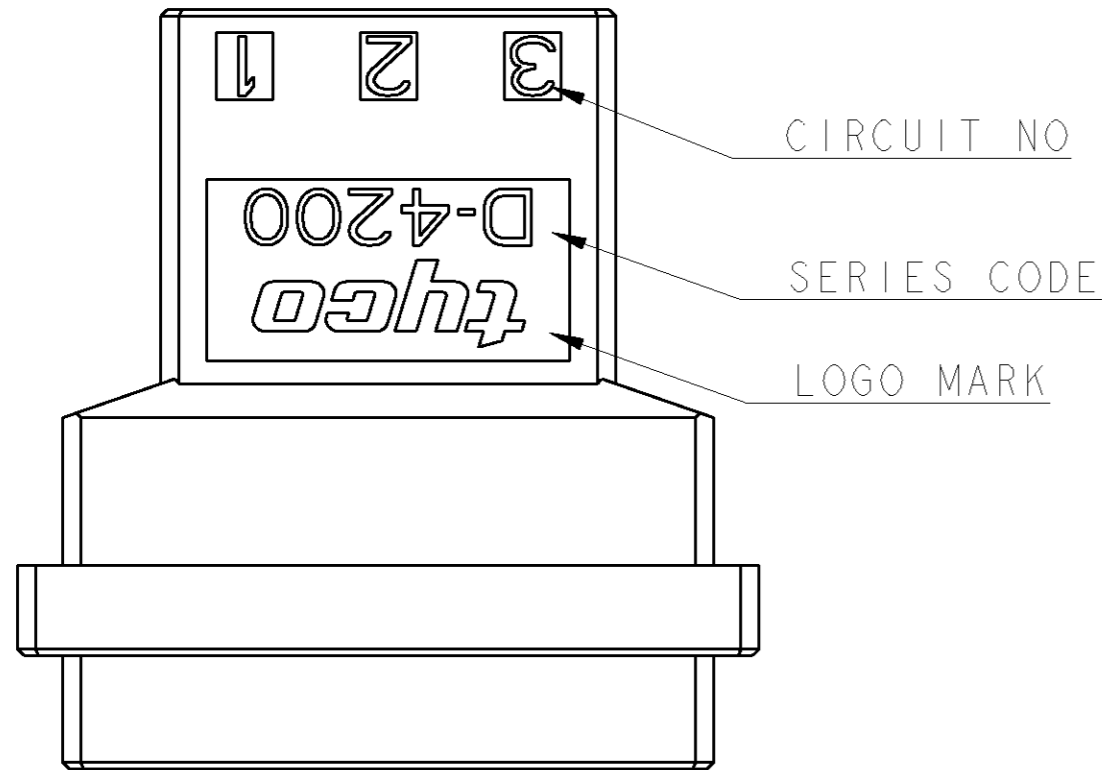


THIS DRAWING IS UNPUBLISHED. RELEASED FOR PUBLICATION 20
 © COPYRIGHT 20 BY TYCO ELECTRONICS CORPORATION. ALL RIGHTS RESERVED.

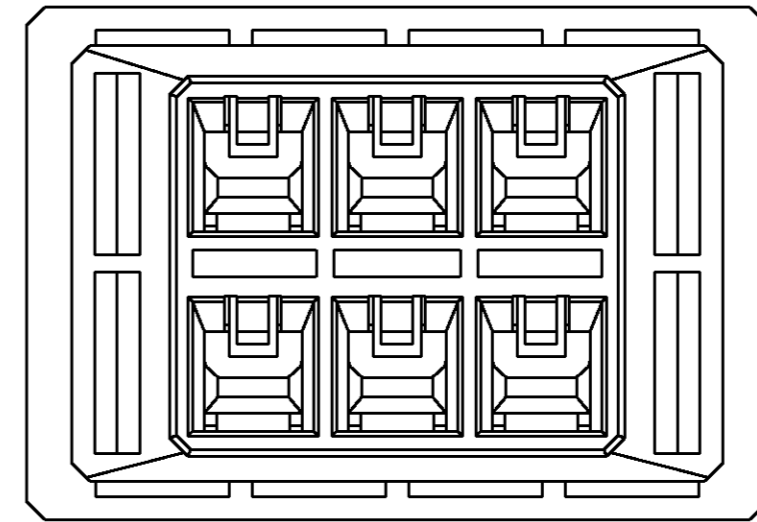
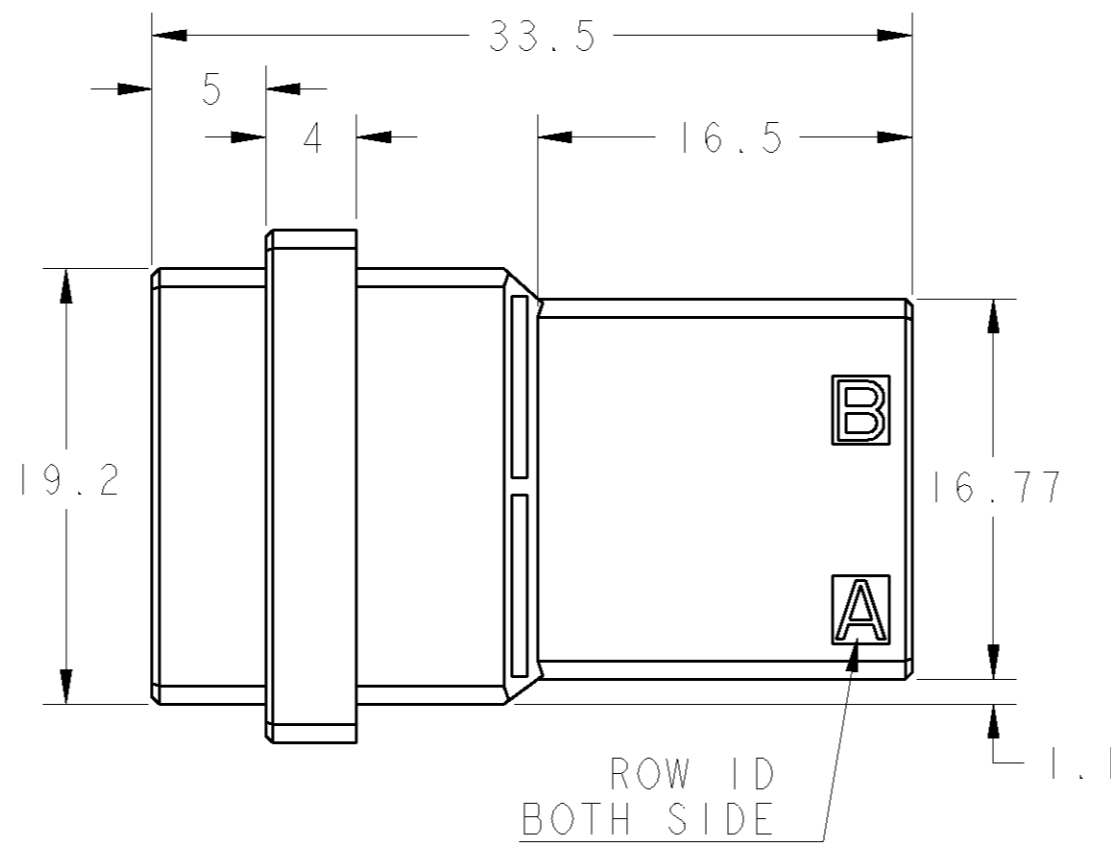
LOC		DIST		REVISIONS				
J	-	P	LTR	DESCRIPTION	ECN	DATE	DWN	APVD
		A		RELEASED		01MAY2006	M.M	D.M
		AI		CORRECT SPECIFICATION NO	ECR-07-000882	12JAN2007	M.M	D.M

1. MATERIAL: GLASS FILLED THERMO PLASTIC POLYESTER(94V-0), COLOR: BLACK
 2. THE SHAPE, SIZE AND POSITION OF THE CHARACTER SHOW THE OUTLINE. THEY DON'T SHOW DETAILS.

1. 材料: ガラス入り熱可塑性ポリエステル樹脂(94V-0), 色: 黒
 2. 文字の形状、大きさ、および位置については、大略を示すものであり、詳細を示すものではありません。

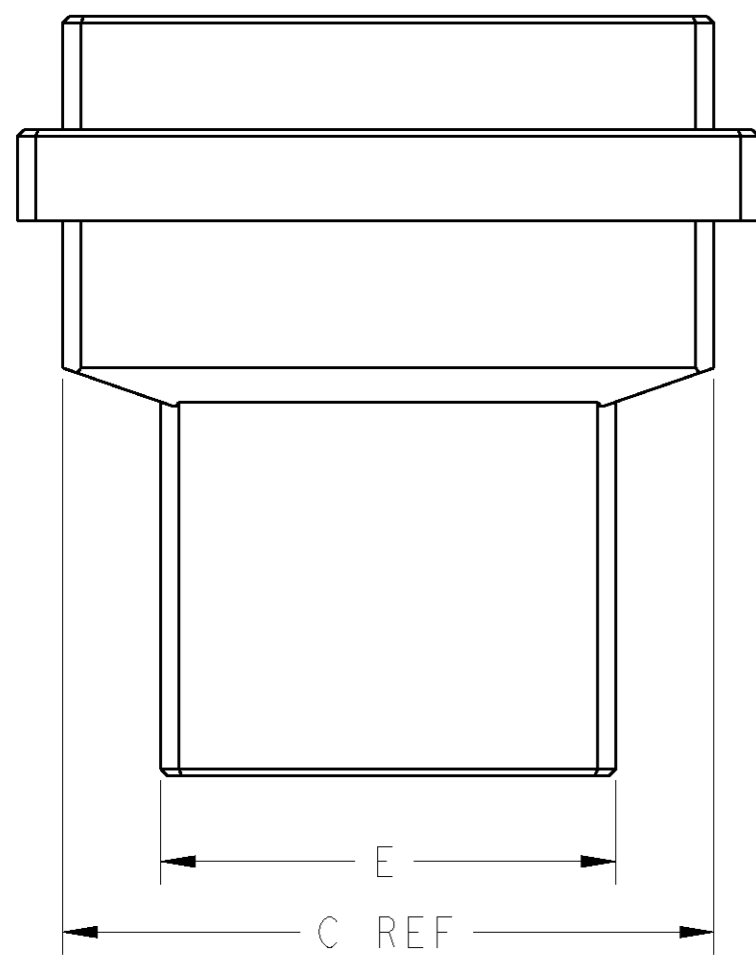


KEYING:
 XX OR YY OR XY
 XX : 1- -□
 YY : 2- -□
 XY : 3- -□



AS SHOWN : 1-1903330-3(6POS: X-X KEY)

POS	n	A	B	C	D	E	KEY LOCATION	KEY	PART NUMBER
6	2	12.70	24.70	28.70	32.70	20.05		X-X	1-1903330-3
6	2	12.70	24.70	28.70	32.70	20.05		Y-Y	2-1903330-3
6	2	12.70	24.70	28.70	32.70	20.05		X-Y	3-1903330-3



THIS DRAWING IS A CONTROLLED DOCUMENT FOR TYCO ELECTRONICS CORPORATION. IT IS SUBJECT TO CHANGE AND THE CONTROLLING ENGINEERING ORGANIZATION SHOULD BE CONTACTED FOR THE LATEST REVISION.		DWN M. MAEBASHI 01MAY2006	 Tyco Electronics AMP K.K. Kawasaki, Japan
DIMENSIONS: 単位: 概 mm		CHK T. KUDO 01MAY2006	
TOLERANCES UNLESS OTHERWISE SPECIFIED: 一般公差 ±0.3, ±3° 0-PLC ±0.5 1-PLC ±0.5 2-PLC ±0.13 3-PLC ±0.013 4-PLC ±0.001 ANGLES ± FINISH 仕上		APVD D. MITSUGI 01MAY2006	NAME DYNAMIC D4200M 6.35mm PITCH TAB HSG (FREE HANGING TYPE) 6POS
MATERIAL 材料		PRODUCT SPEC 108-78182	SIZE A200779
		APPLICATION SPEC 取付適用規格 114-5369	DRAWING NO C-1903330
		WEIGHT 10.02 g	RESTRICTED TO -
CUSTOMER DRAWING		SCALE 3:1	SHEET 1 OF 1

单击下面可查看定价，库存，交付和生命周期等信息

[>>TE Connectivity\(泰科\)](#)