

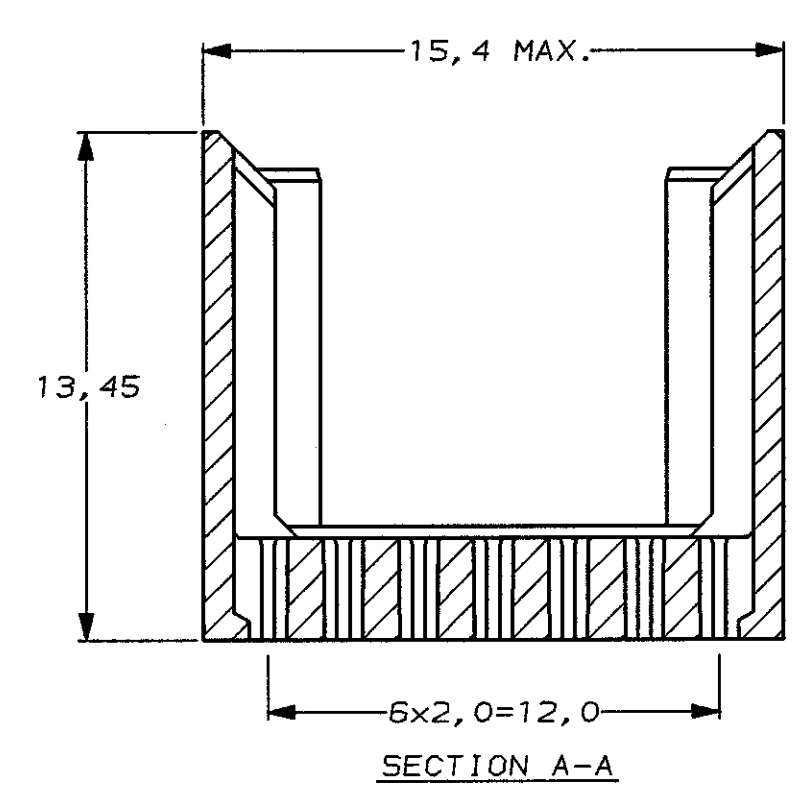
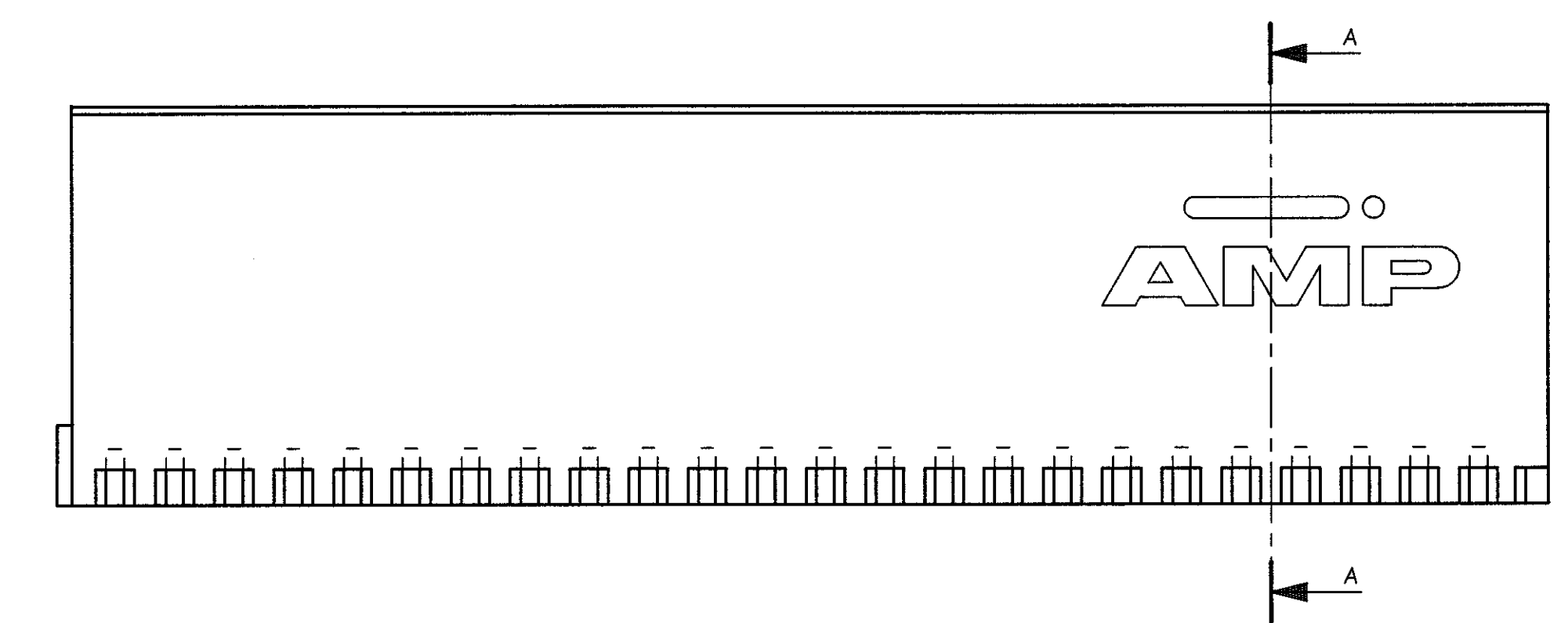
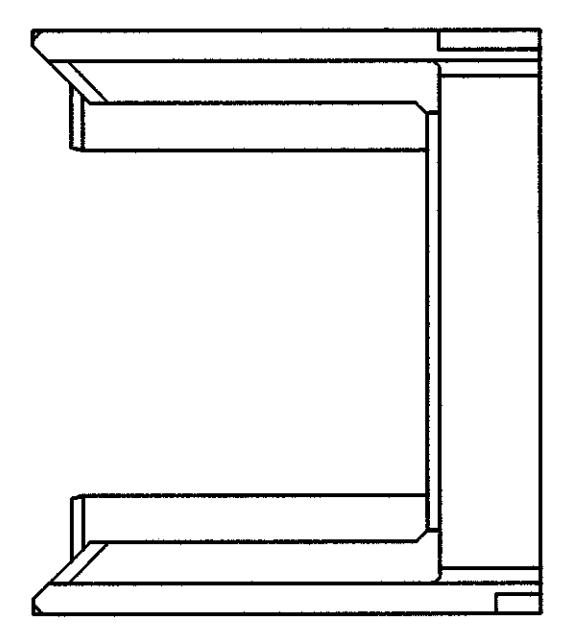
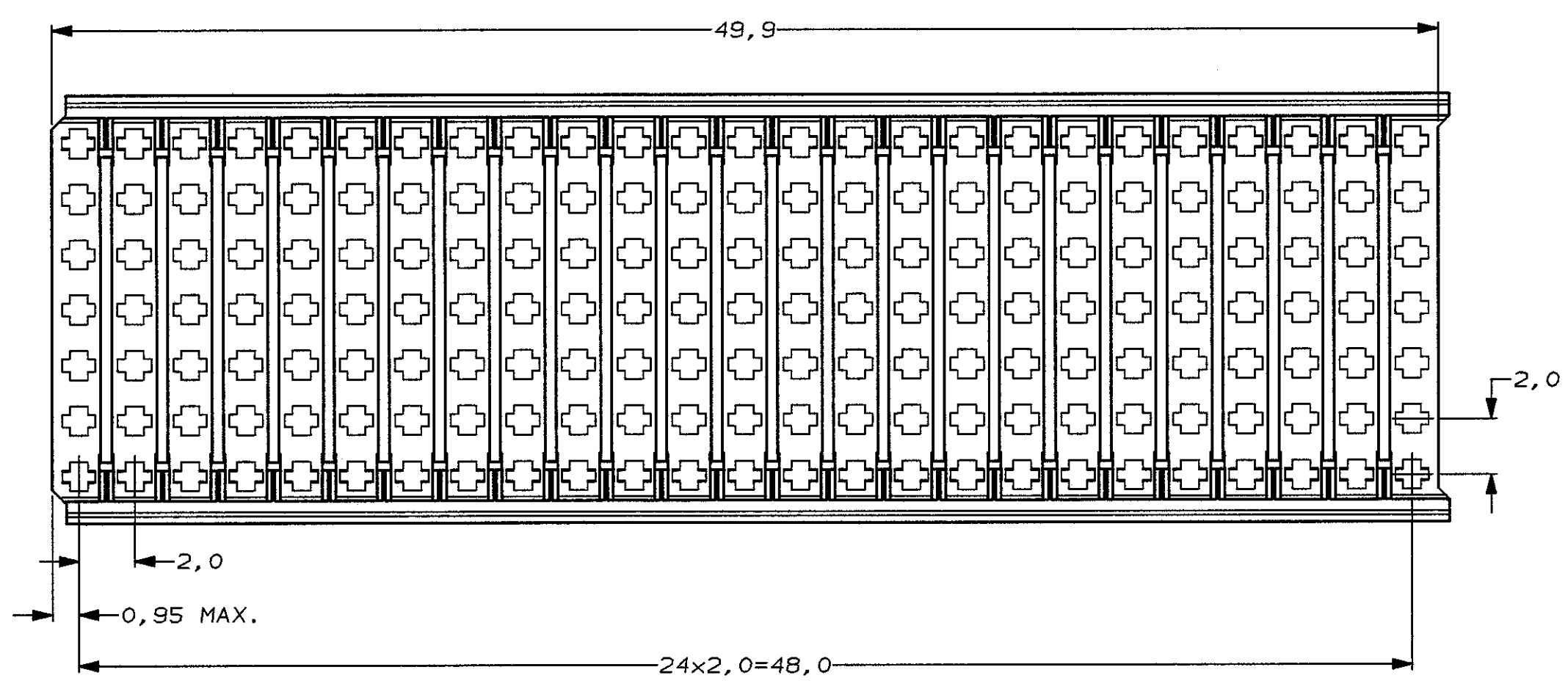
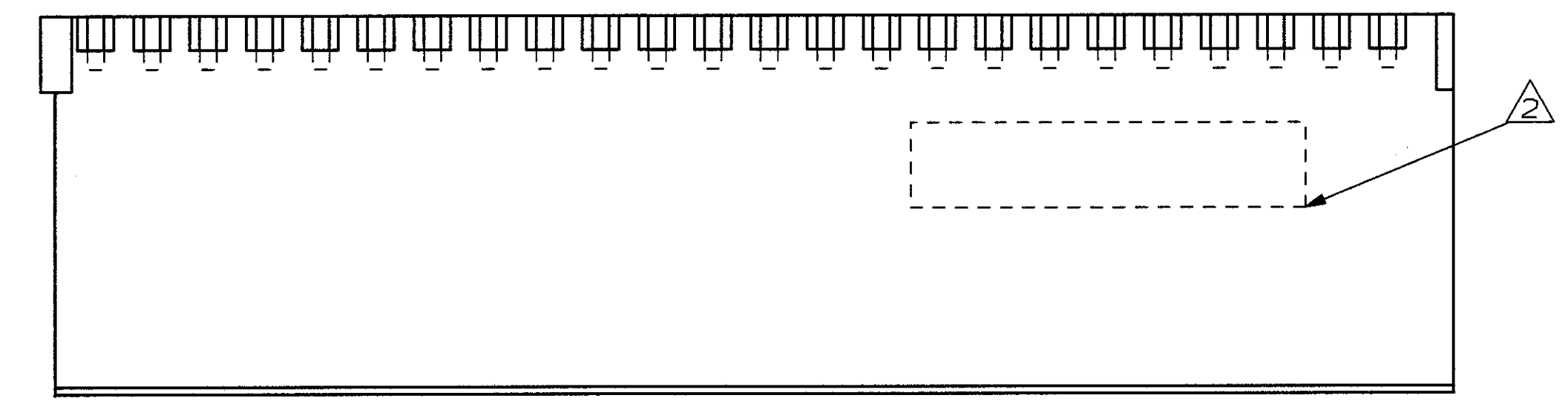
DO NOT SCALE  
DIMENSIONS IN mm

METRIC

THIRD ANGLE  
PROJECTION

NOTES:

- 1 MATERIAL HOUSING: GLASSFILLED POLYESTER.
- 2 HOUSING PRINTED WITH PARTNUMBER AND DATE CODE.



106138-2 AS SHOWN

FINISH		MATERIAL		PARTNUMBER	
-	-	-	-	CUSTOMER DRAWING FOR REFERENCE ONLY WILL NOT BE UPDATED	
-	-	-	-	© COPYRIGHT 1996 BY AMP-HOLLAND B.V. ALL INTERNATIONAL RIGHTS RESERVED. AMP PRODUCTS MAY BE COVERED BY U.S. AND FOREIGN AND/OR PATENTS PENDING.	
-	-	-	-	THIS DRAWING IS UNPUBLISHED AND/OR PATENTS PENDING.	
C	EH-0764-96	DT	FvK	21-JUN-96	RELEASED FOR PUBLICATION
B	EH-0374-93	LvdH	TS	8 JUNE '93	AMP HOLLAND B.V. s-Hertogenbosch, The Netherlands.
A	EH-0081-93	S.M.	TS	04-02-93	
O	H-10165	JvL	TS	30-11-92	AMP
LTR. REVISION RECORD		DR.	CHK.	DATE	NAME
DR.: D. TRUREN		CHK.: F. KONINGSBRUGGE	APP.: B. HOOIJ	DWG. No.	Z-PACK 2mm HM
DATE: 21-JUN-96		DATE: 21-JUN-96	DATE: 1-9-96	C-106138	125 POS. SHROUD TYPE B
REV. LTR.		SHEET		1 OF 1	
C		A2			

单击下面可查看定价，库存，交付和生命周期等信息

[>>TE Connectivity\(泰科\)](#)