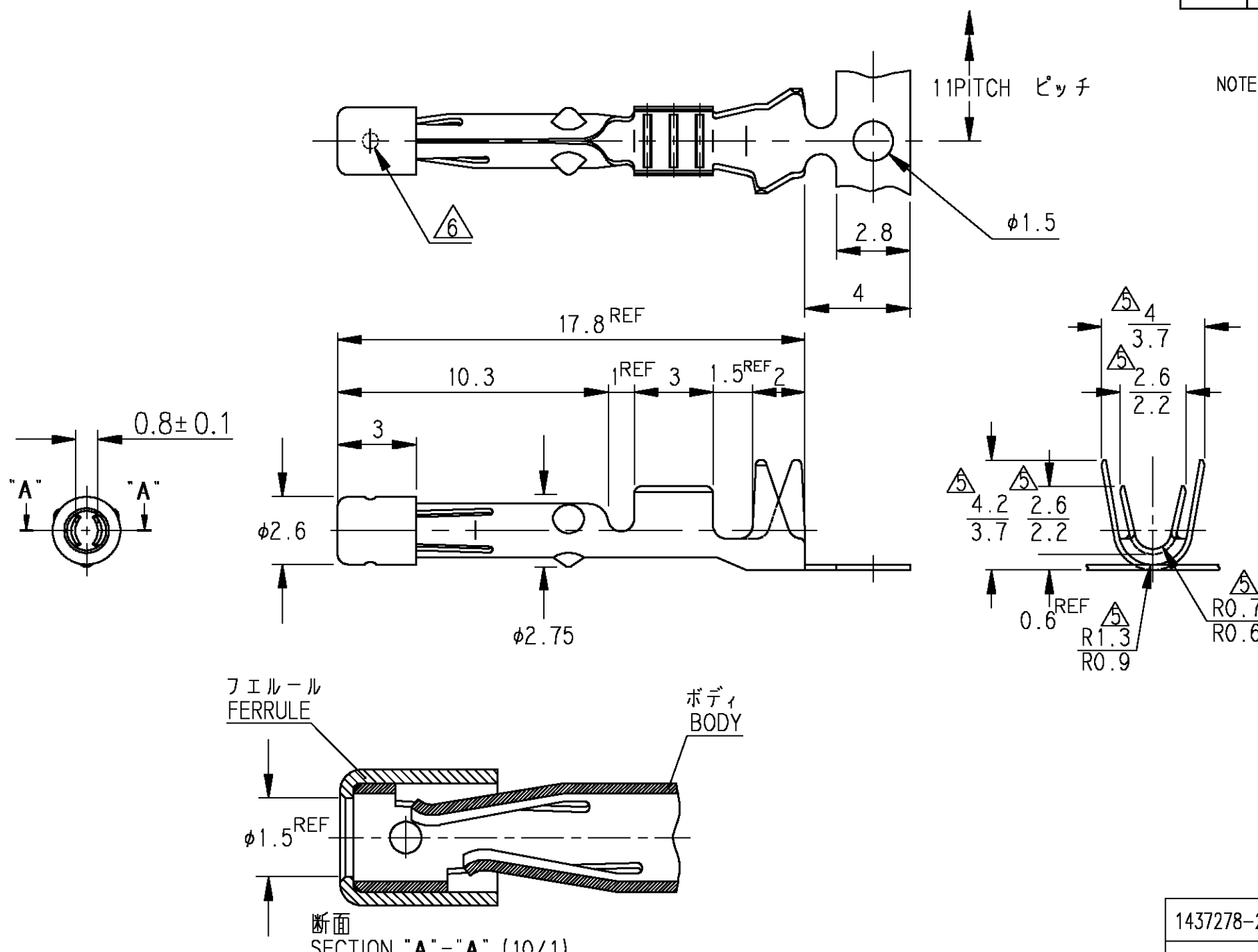


THIS DRAWING IS UNPUBLISHED. RELEASED FOR PUBLICATION
 © COPYRIGHT BY TYCO ELECTRONICS CORPORATION. ALL RIGHTS RESERVED.

| LOC | DIST | REVISIONS | | | | | |
|-----|------|-----------|---------|--------------|---------|-----|------|
| | | P | LTR | DESCRIPTION | DATE | DWN | APVD |
| J | - | A | REVISED | FJA0-0158-03 | 23JUN03 | AY | KA |



- NOTES.
- GENERAL TOLERANCE: ±0.2
 - THERE SHALL BE NO BARR FROM A FUNCTIONAL STANDPOINT.
 - MATERIALS
 BODY : t=0.2 ACCORDING TO THE TABLE *
 FERRULE : t=0.3 BRASS
 - PLATING
 TIN PLATING OVER COPPER(PRE-TIN)
 - → APPLY TO CAT: No. 5-1437285-7 (OLD: 942300) ,8-1447232-4 (OLD: 942311)
 ○ → APPLY TO CAT: No. 1447278-2 (OLD: 942320)
 - PUNCHING POINT FOR FERRULE FIXING
 - FINAL WINDING DIRECTION TO BE AS BELOW SHOWN.
 - PARTS SHALL BE SUPPLIED IN LOT OF 6,000 UNITS PER REEL AND TO BE USED PAPER SEPARATOR AS SPECIFIED.
 - REEL SIZE : INNER DIA 100MIN. X OUTER DIA 700MAX. REELS TO BE MADE OF PRESSBOARD.

- 注. 1. 一般公差 ±0.2
 2. 性能に影響するバリなきこと。
- △ 材質
 ボディ : t=0.2 パネ用リン青銅
 フェルール : t=0.3 黄銅
- △ 表面処理
 下地銅メッキ
 錫メッキ (Pre-Tin)
- △ 圧着部寸法は上段が型番 5-1437285-7 (旧: 942300) を示し、
 下段が 1437278-2 (旧: 942320) を示す。
- △ かしめ
 7. 下段における巻き取り方向は、最終製品の形態を示す。
 8. 1リールの巻数は、6000PIN とし、指定層間紙を入れること。
 9. 使用リール : コイルサイズ 内径 100MIN. X 外径 700MAX. ペーパー製リールを使用すること。

| 1437278-2 | 942320 | PHOSPHER BRONZE | 0.3~ 0.85mm ² | φ1.6~ φ2.3 | AVSS0.5~0.85 AVSO.3~0.85 | H=0.8 |
|---------------------------------|---------------------------|------------------------|----------------------------------|--|---------------------------------------|--------------|
| 8-1447232-4 | 942311 | BERYLLIUM COPPER ALLOY | 0.5~ 1.25mm ² | φ2.0~ φ2.9 | AVSS1.25 AVSO.5~1.25 AVO.5~1.25 | H=0.9 |
| 5-1437285-7 | 942300 | PHOSPHER BRONZE | 0.5~ 1.25mm ² | φ2.0~ φ2.9 | AVSS1.25 AVSO.5~1.25 AVO.5~1.25 | H=0.8 本図 |
| CATALOG NUMBER 型番 | OLD CATALOG NUMBER 旧型番 | MATERIALS (BODY) * | CONDUCTOR (SECTIONAL AREA) 芯線 | INSULATION APPROX OUTER DIAM (mm) 被覆径 | APPLICABLE WIRE SIZE 適用例 | REMARK 備考 |
| APPLICABLE WIRE SIZE 適用電線サイズ | | | | | | |

THIS DRAWING IS A CONTROLLED DOCUMENT.

| | | |
|------------------|---------|--|
| DWN (K.TAMURA) | 05OCT00 | Tyco Electronics AMP K.K. Kawasaki, Japan |
| CHK K.SHINADA | 05OCT00 | |
| APVD K.SHINADA | 05OCT00 | |
| PRODUCT SPEC | | |
| NAME | | WATER SEALED ECU CONNECTOR RECEPTACLE CONTACT ASSEMBLY |
| APPLICABLE SPEC | | |
| WEIGHT | - | SIZE A3 CAGE CODE 00779 DRAWING NO C-5-1437285-7 RESTRICTED TO - |
| CUSTOMER DRAWING | | SCALE 5:1 SHEET 1 OF 1 REV A |

单击下面可查看定价，库存，交付和生命周期等信息

[>>TE Connectivity\(泰科\)](#)