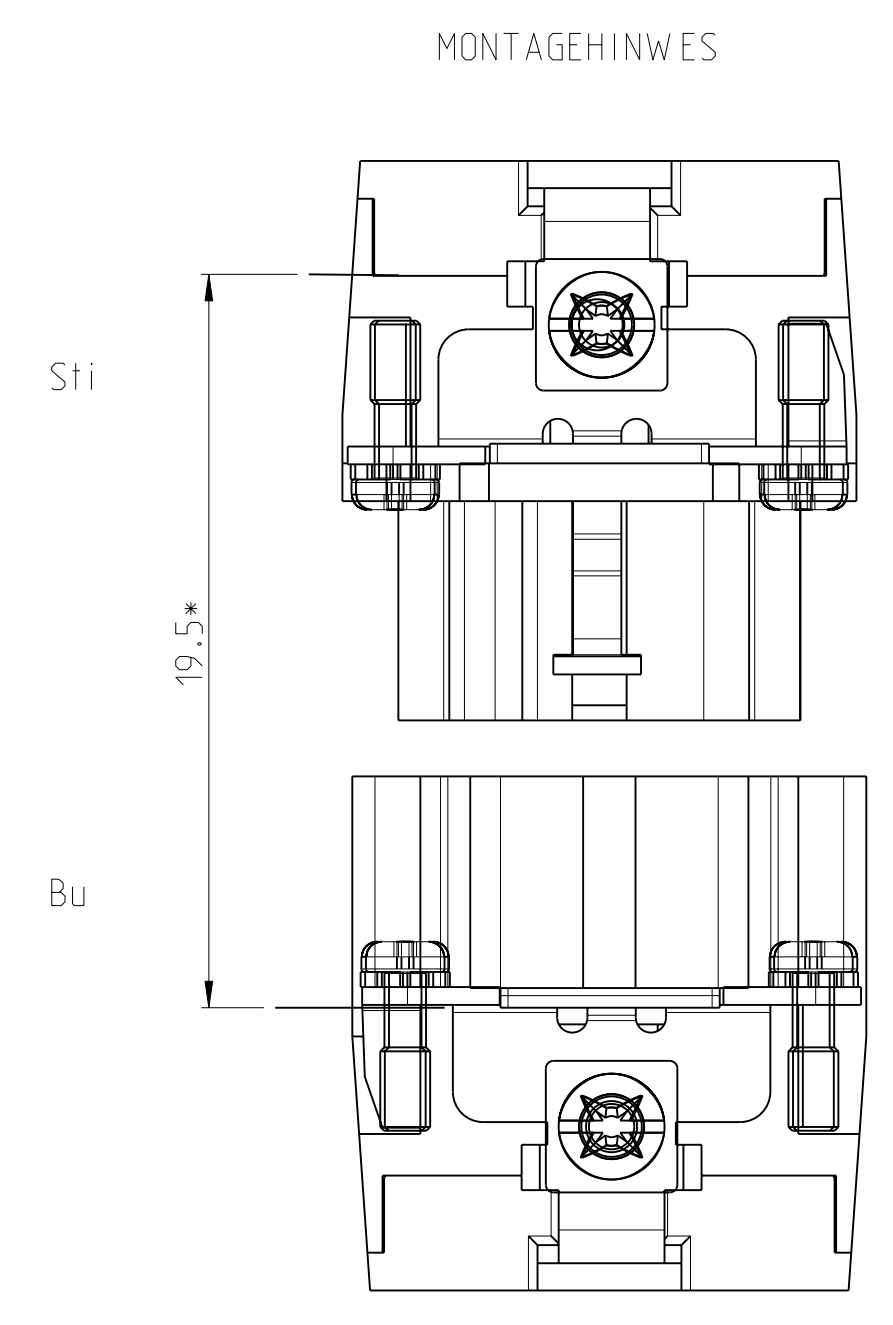
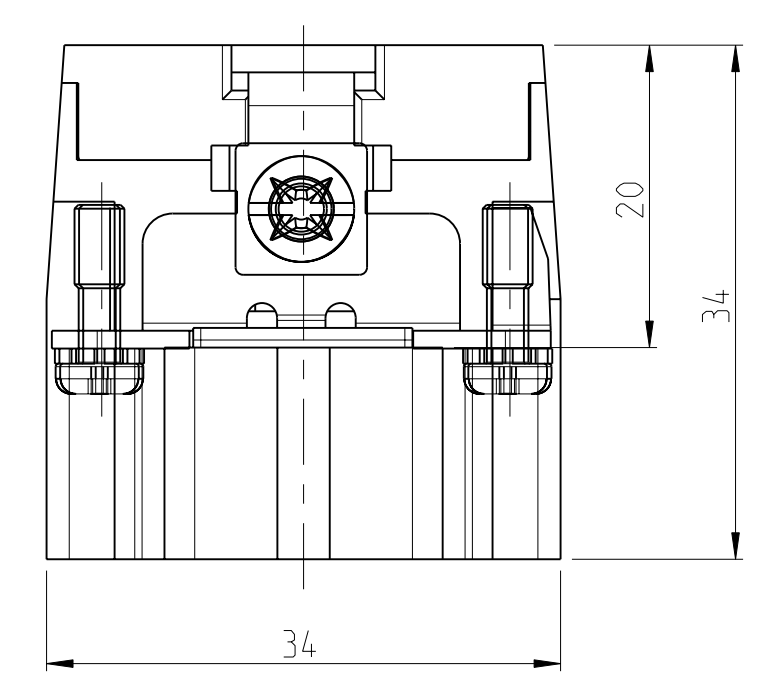
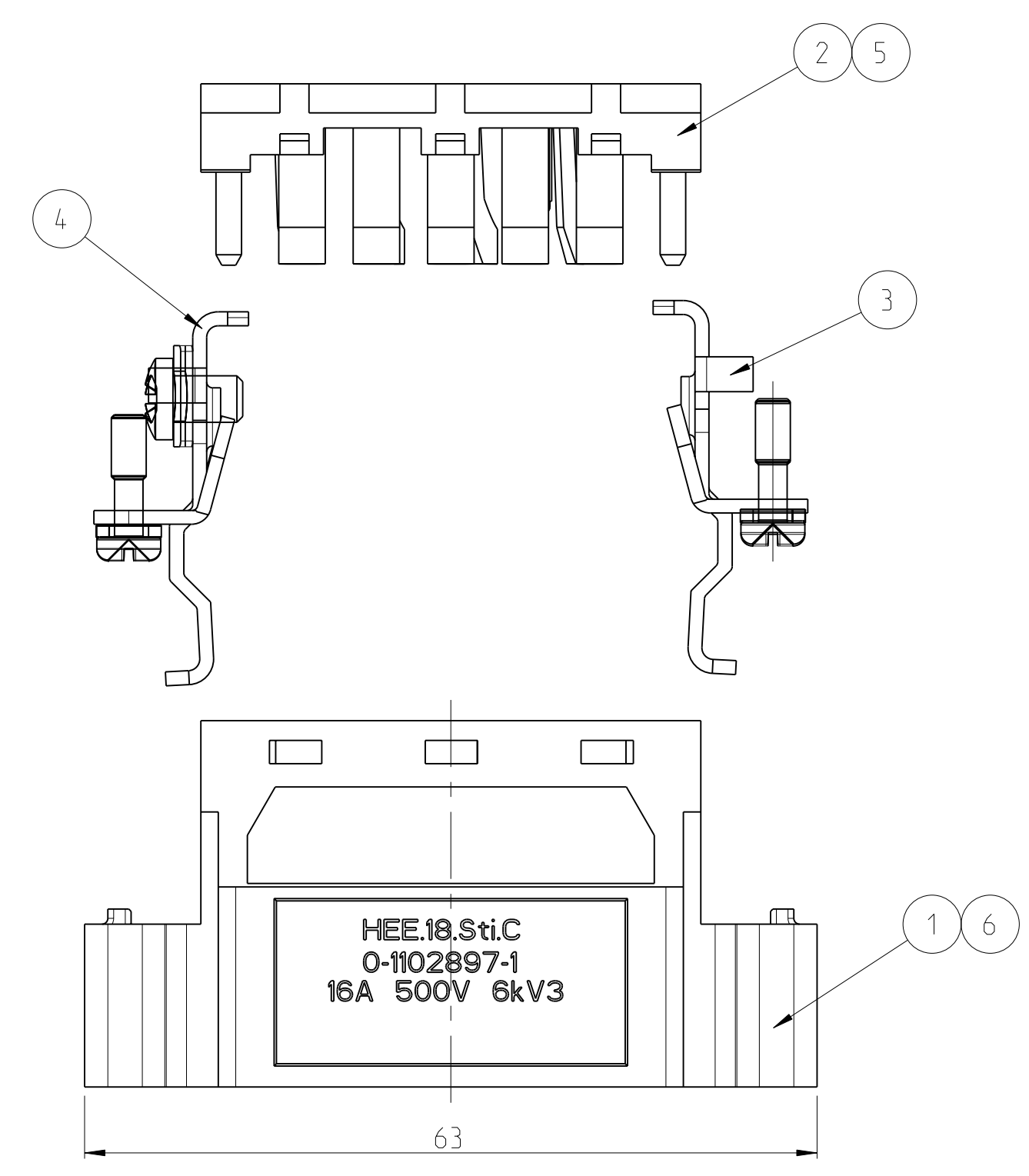


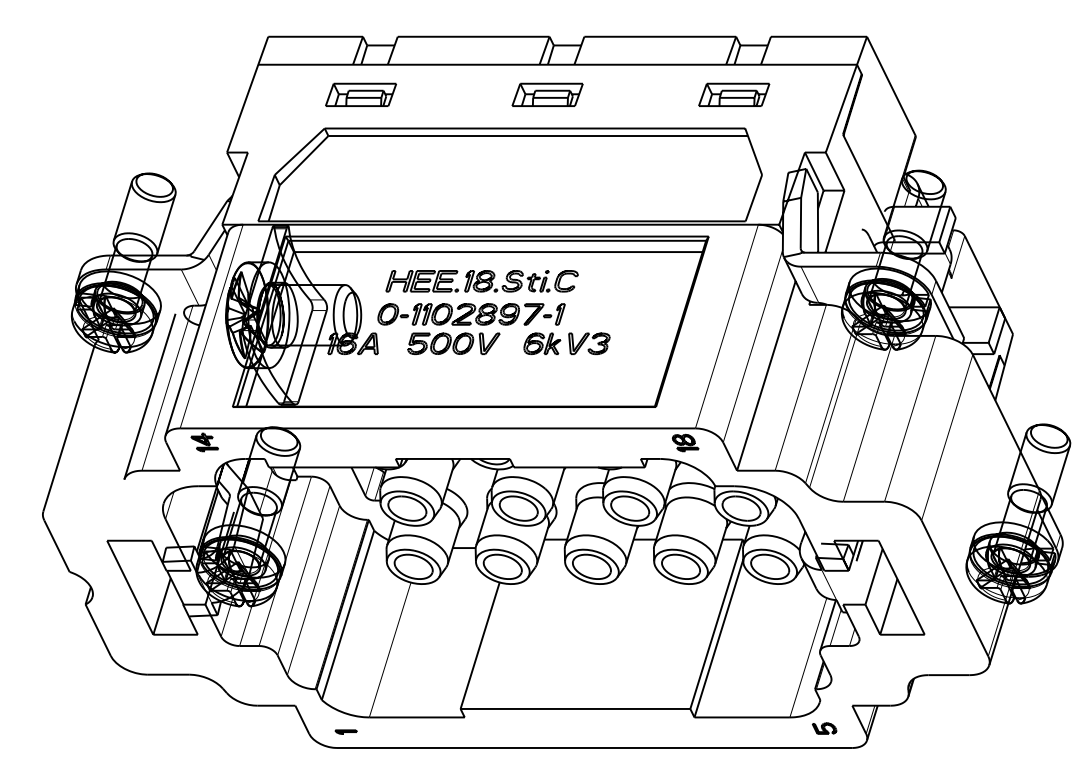
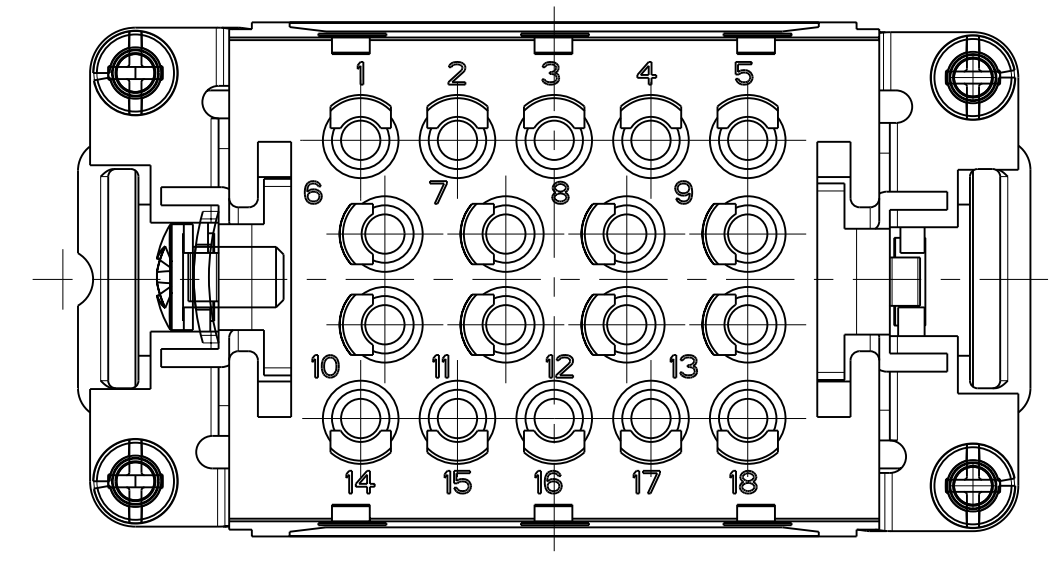
LOC	DIST	REV	DATE	BY	APPV
A1	-	B3	22.06.2011	SR	AR



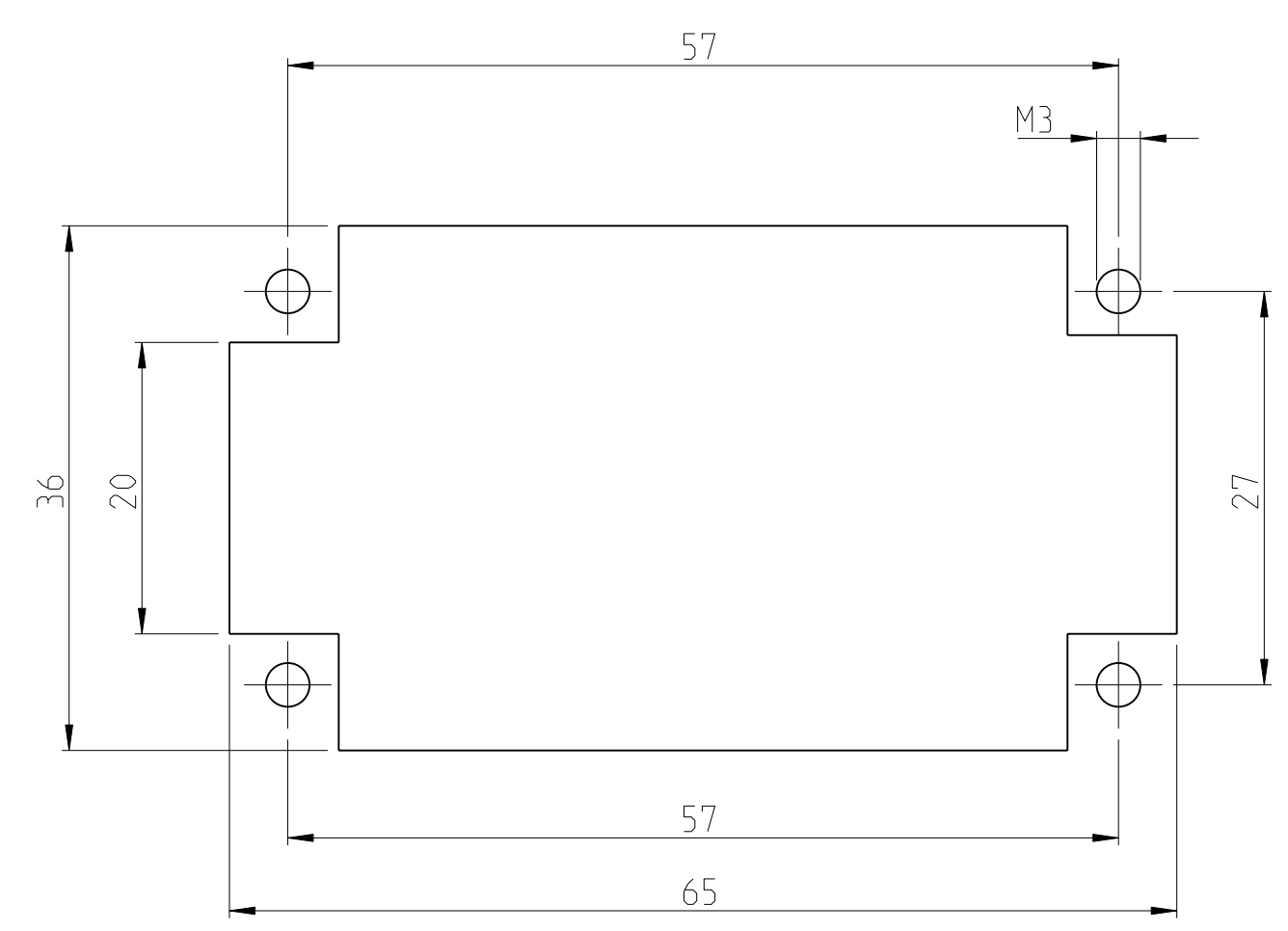
- NOTES
- 1 MATERIAL. INSERT LCP-GF
 - 2 MATERIAL. INSERT PC-GF20
 - 3 MATERIAL. COVER PC-GF20
 - 4 PACKAGING: 10 PIECES

*ABSTAND FÜR SICHERE KONTAKT-GABE MAX: 21MM

CONTACT ARRANGEMENT VIEW FROM TERMINATION SIDE
 PN 0-1; PN 0-2



PANEL CUT-OUT FOR CONTACT INSERT
 WHEN USED WITHOUT HOUSING



OBSOLETE

QTY	DESCRIPTION	MATERIAL	COLOR	SURFACE	COLOR	ITEM
1	MALE INSERT HE.E.18-FS	LCP-GF30	BLUE	NATURE		6
1	COVER HE.E.18-FS	LCP-GF30	BLUE	NATURE		5
1	PROTECTION WIRE CONTACT PIN WITH MOUNTING					4
1	PROTECTION WIRE CONTACT PIN					3
1	COVER HE.E.18	PC GF20	GREY	LIGHT GREY		2
1	MALE INSERT HE.E.18	PC GF20	GREY	LIGHT GREY		1
0-2	0-1 DESCRIPTION	MATERIAL	SURFACE	COLOR		ITEM
	HE.E.18.Sti.C B1-18					
	HE.E.18.Sti.C-FS					

THIS DRAWING IS A CONTROLLED DOCUMENT. DWN: R.SCHNEIDER 15SEP2010
 CHN: T.SCHNURPELL 15SEP2010

TE Connectivity

MALE INSERT ASSY
 HE.E.18

SCALE: 2:1 SHEET: 1 OF 1 REV: B3

单击下面可查看定价，库存，交付和生命周期等信息

[>>TE Connectivity\(泰科\)](#)