

THIS DRAWING IS UNPUBLISHED.

RELEASED FOR PUBLICATION

© COPYRIGHT - TE Connectivity Ltd.

ALL RIGHTS RESERVED.

REVISIONS

P	LTR	DESCRIPTION	DATE	DWN	APVD
P		CUTTING BURR DETAILS ADDED	20NOV2018	RK	PS

- 1. MATERIAL:
 HOUSING: POLYAMIDE 6/6 UL94V-0.
 COLOR: BROWN
 TERMINAL: BRASS, TIN PLATED
 SCREWS: STEEL, ZINC PLATED W/ NON-HEXAVALENT CHROMATE (CHROME III).
 WIRE PROTECTOR: STAINLESS STEEL

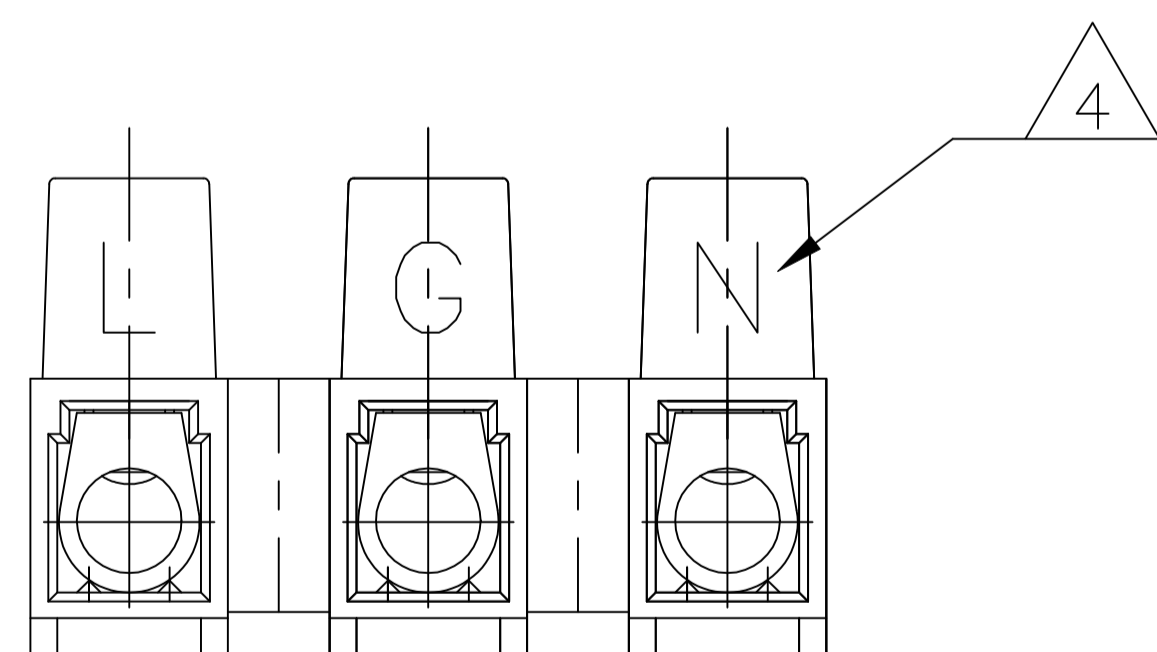
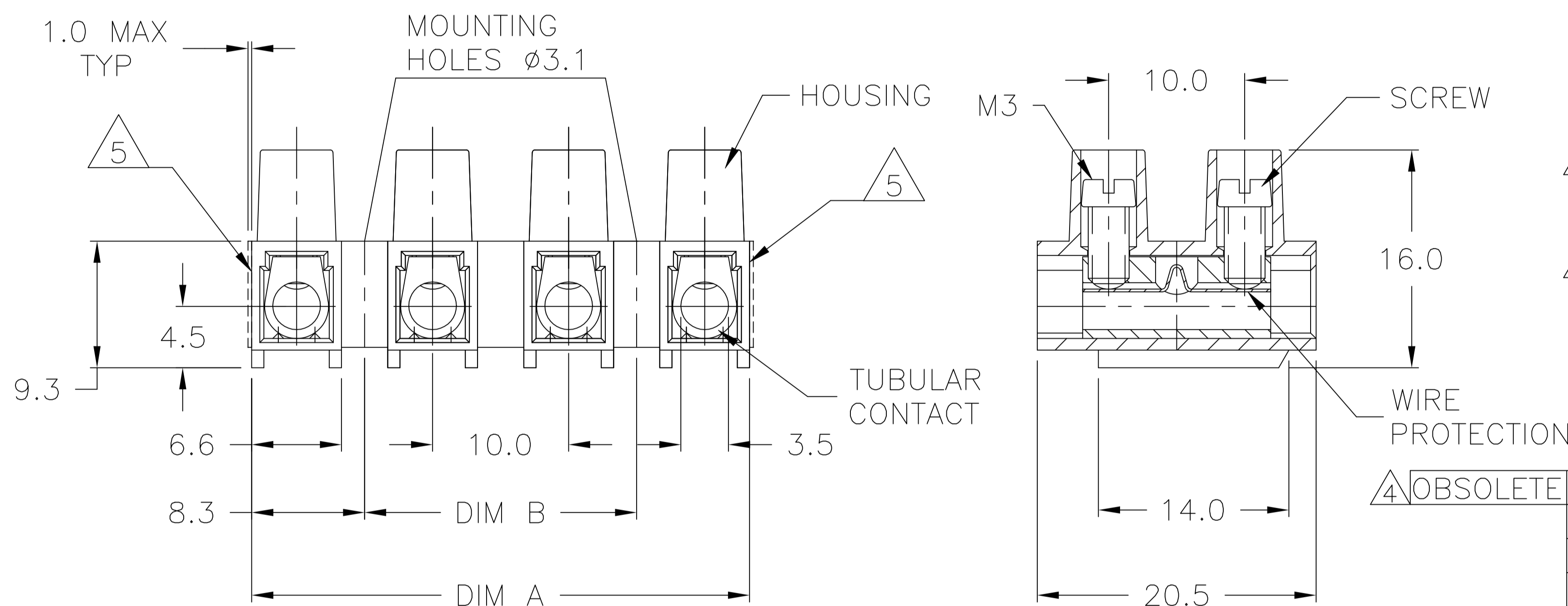
- 2. ELECTRICAL:
 CURRENT RATING: 30A
 OPERATING VOLTAGE: 250V
 WIRE RANGE: 12-24 AWG

- 3. ENVIRONMENTAL:
 CONTINUOUS WORKING TEMP: -50°C TO +160°C

4 PART TO BE PERMANENTLY MARKED AS SHOWN, BLACK LETTERING.

5 CUTTING PROJECTION CAN BE ON BOTH SIDES DEPENDING ON CUTTING LOCATION

6. CUTTING BURR MAX. 1mm ALLOWED.



1776298-4 AS SHOWN

DIM B	DIM A	NO. OF POS	CATALOG PART NO.	TE PART NUMBER
10.0	26.6	3	-	1-1776298-3
100.0	116.6	12	TSB500 1231DS HT	1-1776298-2
90.0	106.6	11	TSB500 1131DS HT	1-1776298-1
80.0	96.6	10	TSB500 1031DS HT	1-1776298-0
70.0	86.6	9	TSB500 0931DS HT	1776298-9
60.0	76.6	8	TSB500 0831DS HT	1776298-8
50.0	66.6	7	TSB500 0731DS HT	1776298-7
40.0	56.6	6	TSB500 0631DS HT	1776298-6
30.0	46.6	5	TSB500 0531DS HT	1776298-5
20.0	36.6	4	TSB500 0431DS HT	1776298-4
10.0	26.6	3	TSB500 0331DS HT	1776298-3
-	16.6	2	TSB500 0231DS HT	1776298-2
-	6.6	1	TSB500 0131DS HT	1776298-1

1-1776298-3 OBSOLETE

THIS DRAWING IS A CONTROLLED DOCUMENT.		DWN S SCHLEGEL 3/18/05	STE TE Connectivity Ltd.		
DIMENSIONS: mm		CHK C RICHARD 3/18/05			
TOLERANCES UNLESS OTHERWISE SPECIFIED:		APVD C RICHARD 3/18/05	EUROPA TERMINAL BLOCK W/ WIRE PROTECTOR MOUNTING HOLES 3.1 DIA, 10.0mm PITCH HIGH TEMP		
0 PLC ± - 1 PLC ± 0.3 2 PLC ± 0.25 3 PLC ± - 4 PLC ± - ANGLES ± 2°		PRODUCT SPEC -			
MATERIAL SEE NOTES		FINISH SEE NOTES	APPLICATION SPEC -	NAME	
		WEIGHT -	SIZE A3		CAGE CODE 00779
		CUSTOMER DRAWING	DRAWING NO C=1776298		RESTRICTED TO -
		SCALE NTS	SHEET 1 of 1		REV P

单击下面可查看定价，库存，交付和生命周期等信息

[>>TE Connectivity\(泰科\)](#)