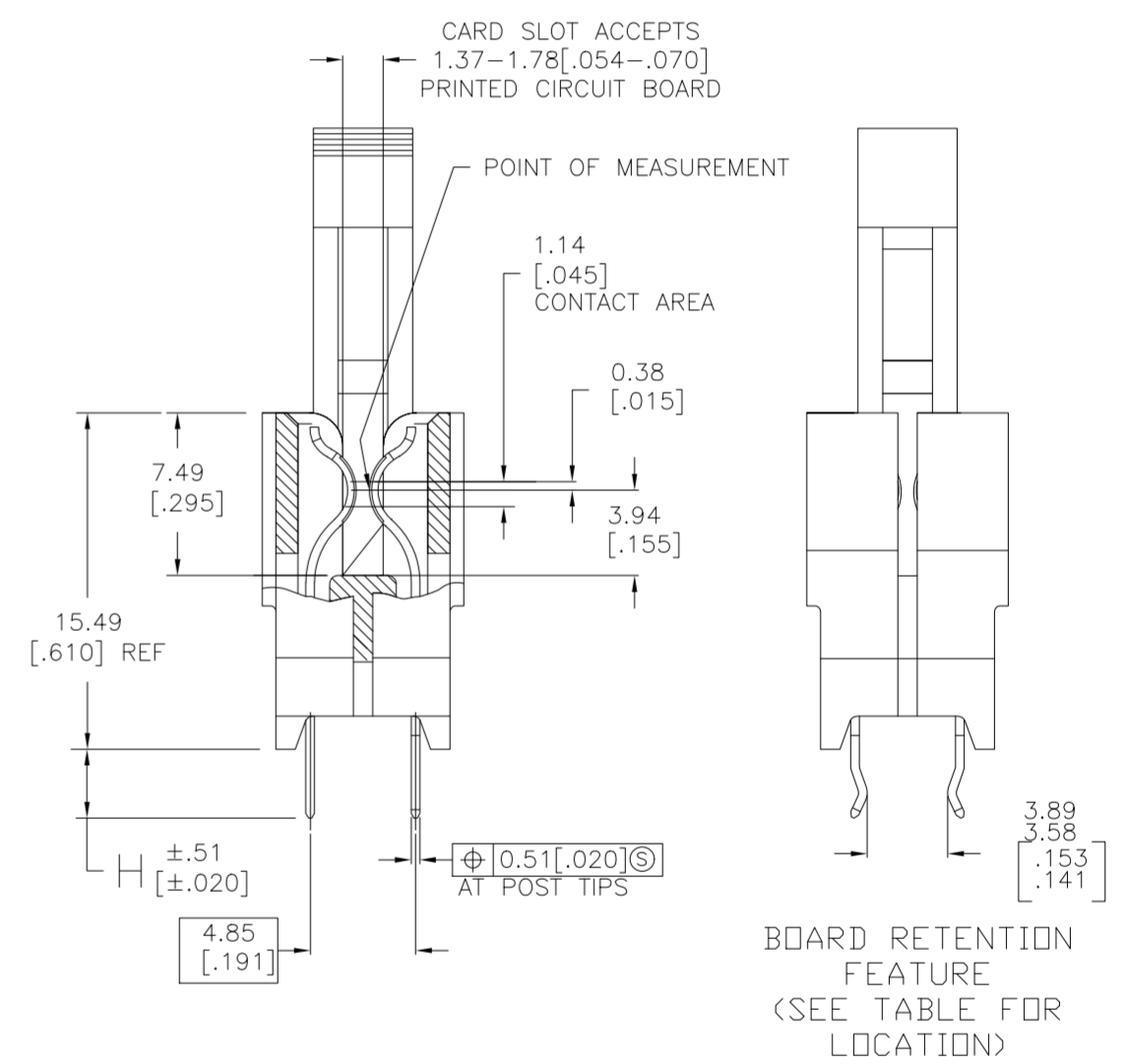
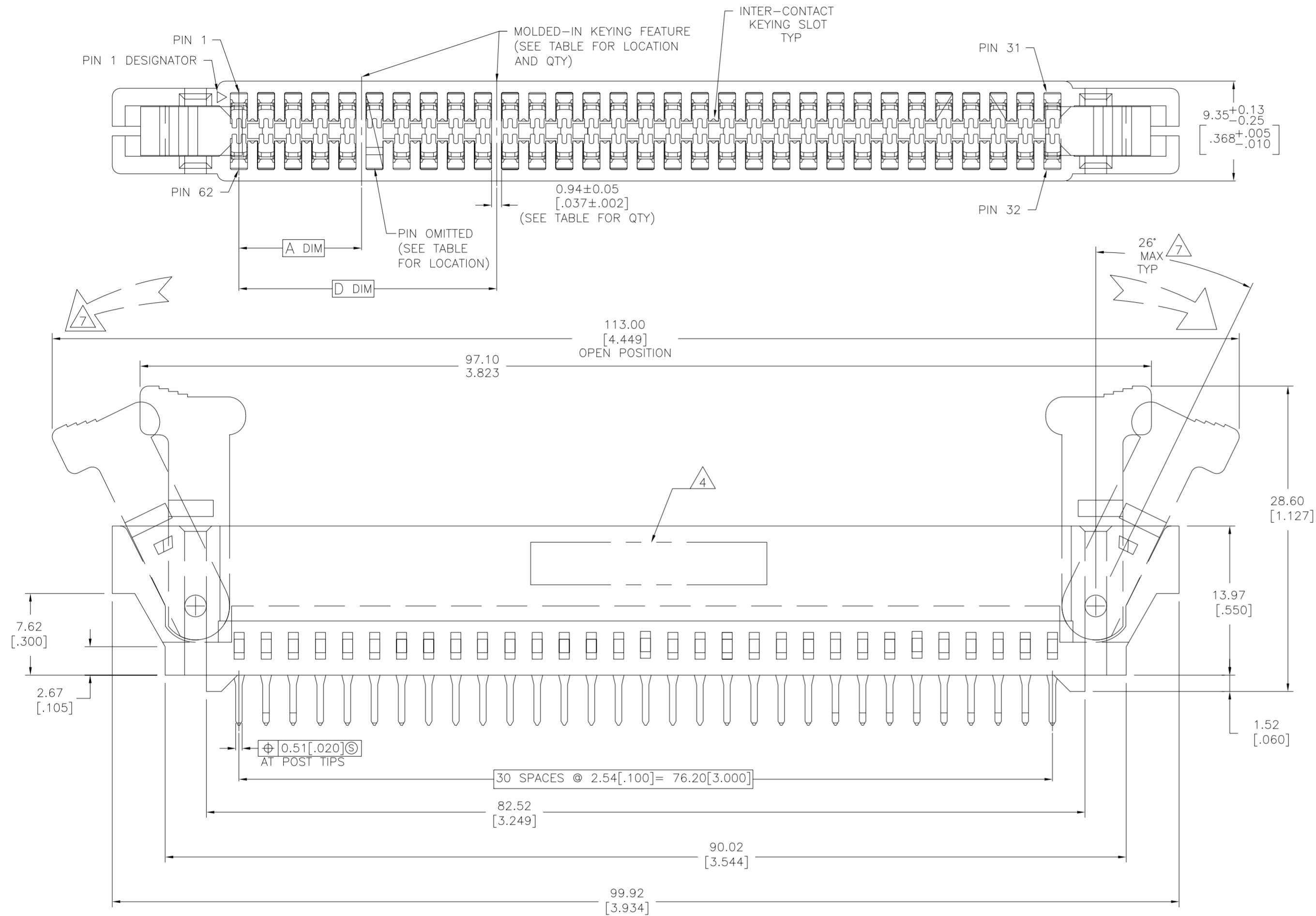


REVISIONS					
P	LTR	DESCRIPTION	DATE	DWN	APVD
	D3	ECO-20-017910	27APR2013	AY	SZ

- MATERIAL:  
HOUSING: GLASS FILLED POLYESTER; COLOR: BLACK.  
CONTACT: HIGH CONDUCTIVITY COPPER ALLOY  
LATCH: GLASS FILLED POLYESTER, COLOR: (SEE TABLE)
- FINISH:  
0.00038[.000015] GOLD PLATE IN CONTACT AREA,  
0.00254[.000100] MIN MATTE TIN ON SOLDER POSTS, ALL  
OVER 0.00127[.000050] MIN NICKEL
- FINISH:  
0.00076[.000030] GOLD PLATE IN CONTACT AREA,  
0.00254[.000100] MIN MATTE TIN ON SOLDER POSTS, ALL  
OVER 0.00127[.000050] MIN NICKEL
- AMP LOGO, TE PART NUMBER, DATE CODE AND CSA LOGO INK  
STAMPED WHITE (HOT STAMPED OR LAZER PRINTED) IN THE APPROXIMATE  
AREA SHOWN, EITHER SIDE PERMISSABLE, WHEN HOUSING SIZE PERMITS
- DATUMS AND BASIC DIMENSIONS ESTABLISHED BY CUSTOMER
- CONNECTORS SHOWN ARE USED IN APPLICATIONS WITH VRM MODULES WEIGHING  
3 OUNCES OR LESS. ALTERNATE CONNECTOR AND LATCH METHOD IS AVAILABLE FOR  
VRM MODULES WEIGHING UP TO 6 OUNCES.
- CAUTION: LATCHES ARE INTENDED FOR RETENTION OF PC BOARD TO CONNECTOR.  
DO NOT ATTEMPT TO FULLY EJECT PC BOARD FROM CONNECTOR WHILE DISENGAGING  
LATCHES. DAMAGE TO LATCHES AND OR CONNECTOR MAY OCCUR
- OBsolete PARTS: OBSOLETE CIS STREAMLINING PER D.RENAUD/D.SINISI



FINISH	LATCH COLOR	H	G	F	E	D	C	B	A	RETENTION LOCATION	MOLDED-IN KEYING FEATURE	OMITTED PIN	VRM TYPE	NO OF DUAL POSN	PART NUMBER
3	BLACK	4.70 [185]	-	-	-	-	-	-	-	2,3, 29,30, 33,34, 60,61	NONE	NONE	-	31	6489930-8
3	BLACK	3.18 [125]	11	3	31.57 [1243]	29.22 [1150]	18	11.25 [443]	8.89[350]	2,3, 29,30, 33,34, 60,61	4,5 & 12,13	6	-	31	6489930-7
3	WHITE	4.75 [187]	-	-	-	-	-	-	-	2,3, 29,30, 33,34, 60,61	NONE	NONE	-	31	6489930-6
3	WHITE	3.18 [125]	9	-	26.49 [1043]	24.13 [950]	20	-	-	2,3, 29,30, 33,34, 60,61	10, 11	57	10.0 +12v	31	6489930-5
3	WHITE	3.18 [125]	-	-	-	-	-	-	-	2,3, 29,30, 33,34, 60,61	NONE	NONE	-	31	6489930-4
3	WHITE	3.18 [125]	8	2	23.95 [943]	21.59 [850]	21	8.71 [343]	6.35 [250]	2,3, 29,30, 33,34, 60,61	3,4 & 9,10	57	-	31	6489930-3
3	BLACK	3.18 [125]	9	-	26.49 [1043]	24.13 [950]	20	-	-	2,3, 29,30, 33,34, 60,61	10,11	57	10.0 +12v	31	6489930-2
3	BLACK	3.18 [125]	9	4	26.49 [1043]	24.13 [950]	20	13.79 [543]	11.43 [450]	2,3, 29,30, 33,34, 60,61	5,6 & 10,11	57	10.1 +12v	31	6489930-1

THIS DRAWING IS A CONTROLLED DOCUMENT.

DWN: AWF/L.A.MAYER 02APR2008  
CHK: A.W.FRANTUM 02APR2008  
APVD: S.FLICKINGER 02APR2008

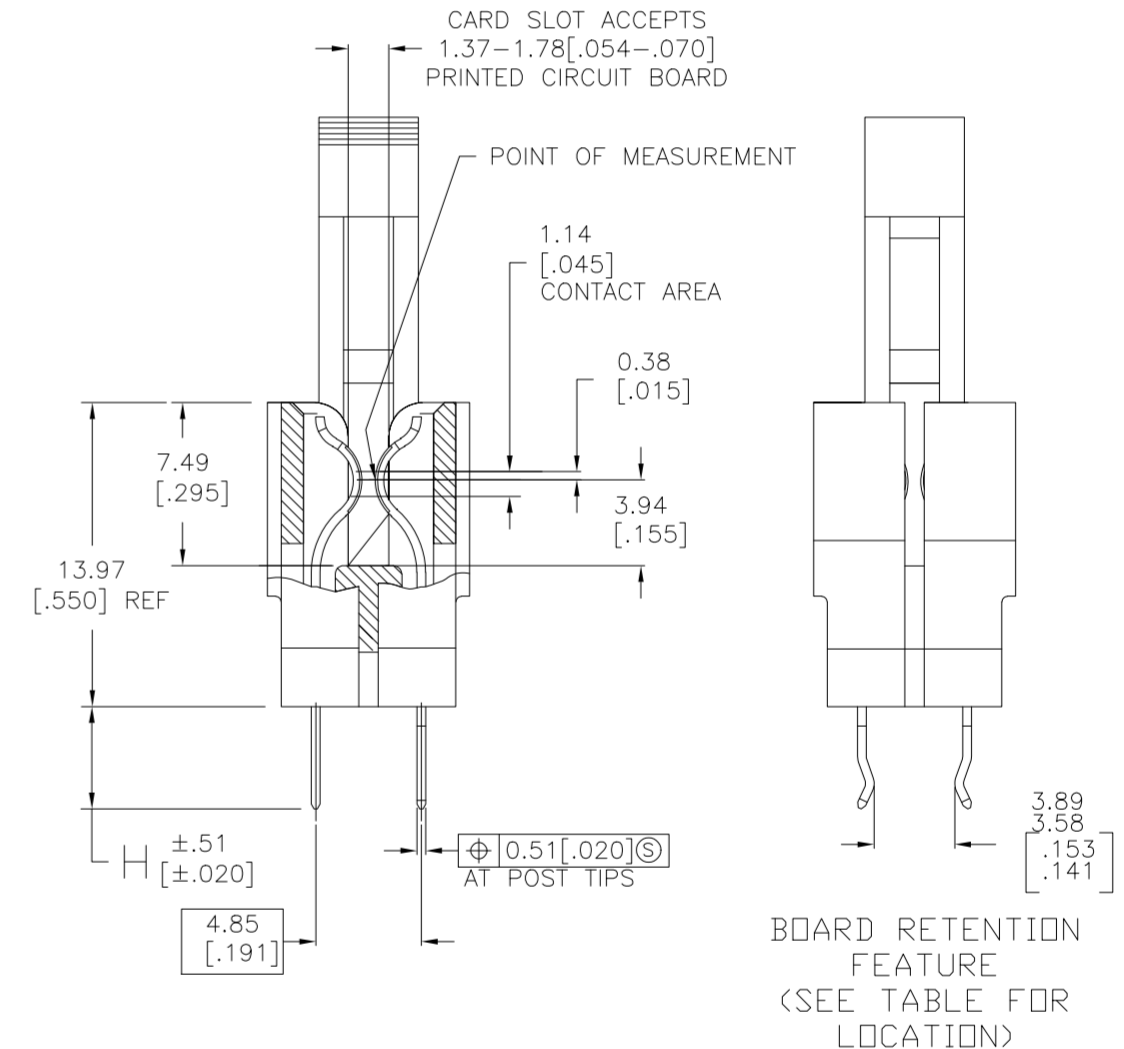
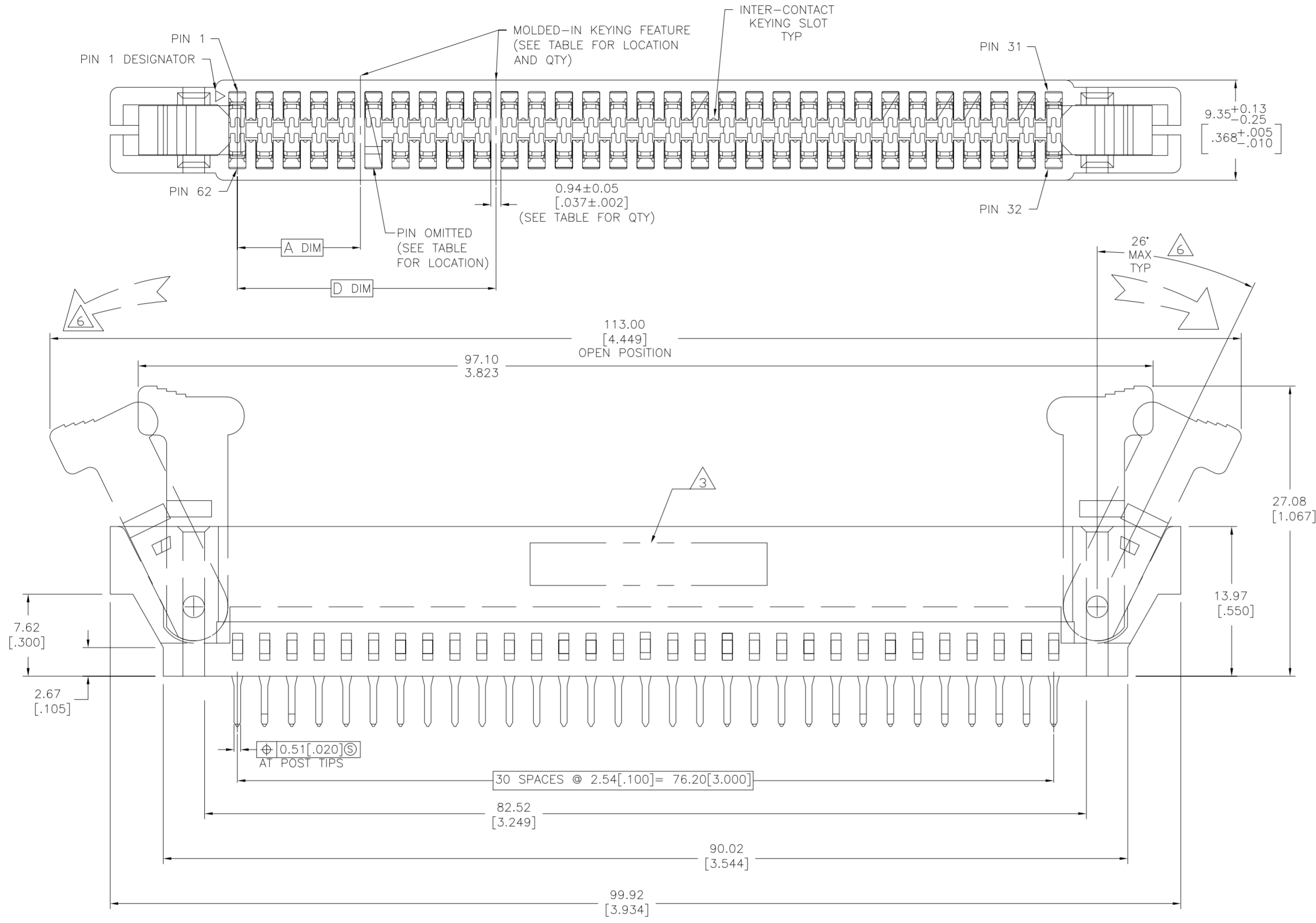
NAME: S.FLICKINGER  
PRODUCT SPEC: 108-2148  
APPLICATION SPEC: 114-13018  
WEIGHT: 0

CUSTOMER DRAWING

TE Connectivity Ltd.  
CONNECTOR ASSEMBLY HIGH CURRENT CARD EDGE  
DUAL POSITION,2.54[.100] CENTERLINE

SIZE: A2 CAGE CODE: 00779 DRAWING NO: 6489930 RESTRICTED TO: -  
SCALE: 1:1 SHEET: 1 of 3 REV: D3

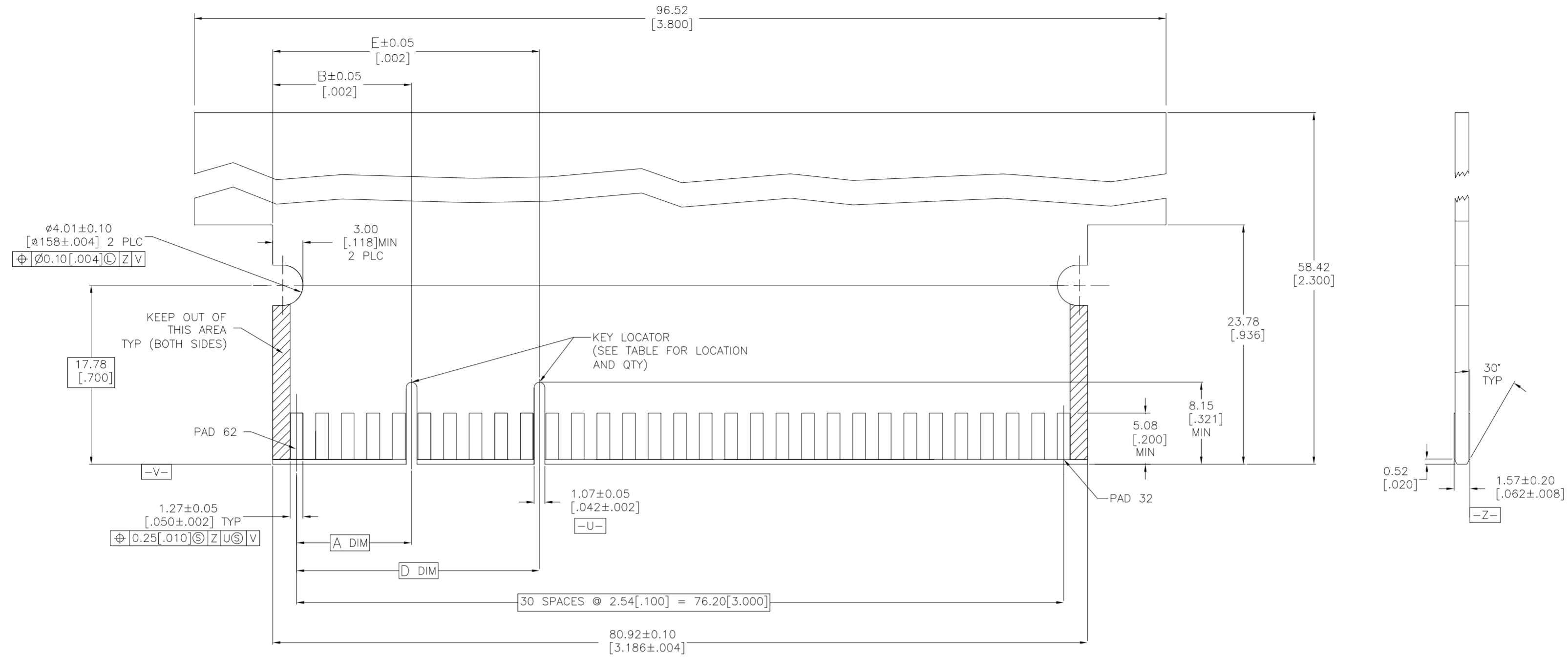
REVISIONS					
P	LTR	DESCRIPTION	DATE	DWN	APVD
-	-	SEE SHEET 1	-	-	-



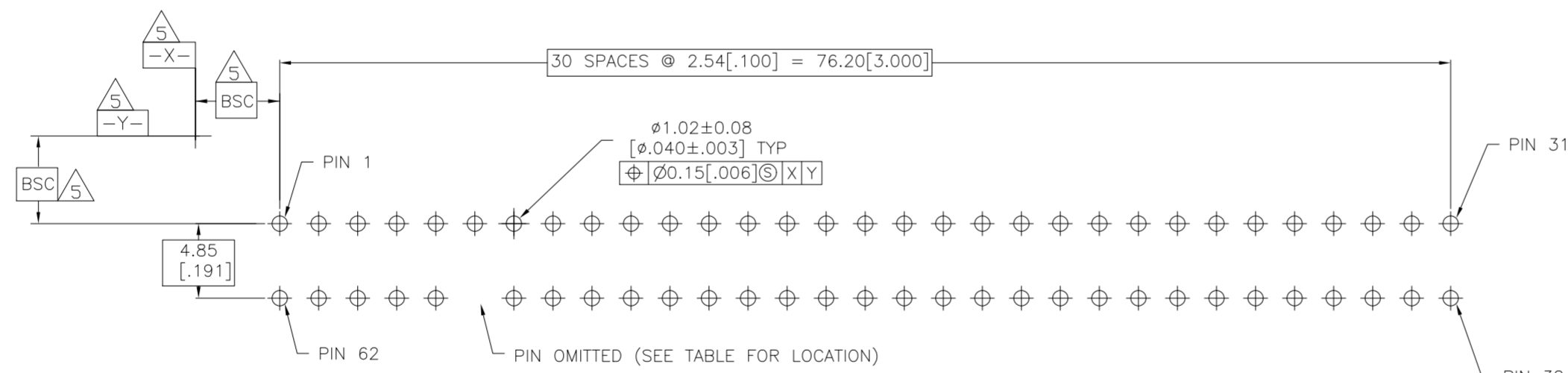
# PART 6489930-8

THIS DRAWING IS A CONTROLLED DOCUMENT.		DWN AWF/L.A.MAYER 02APR2008	TE Connectivity Ltd.			
DIMENSIONS: mm [INCHES]		CHK A.W.FRANTUM 02APR2008				
TOLERANCES UNLESS OTHERWISE SPECIFIED:		APVD S.FLICKINGER 02APR2008	NAME CONNECTOR ASSEMBLY HIGH CURRENT CARD EDGE DUAL POSITION, 2.54[.100] CENTERLINE			
0 PLC ± - 1 PLC ± - 2 PLC ± - 3 PLC ± 0.13[0.005] 4 PLC ± - ANGLES ± -		PRODUCT SPEC 108-2148	SIZE A2	CAGE CODE 00779	DRAWING NO C=6489930	RESTRICTED TO -
MATERIAL -		FINISH -	WEIGHT 0	SCALE 1:1	SHEET 2 OF 3	REV D3
CUSTOMER DRAWING						

REVISIONS					
P	LTR	DESCRIPTION	DATE	DWN	APVD
-	-	SEE SHEET 1	-	-	-



RECOMMENDED MATING BORAD EDGE CONFIGURATION



RECOMMENDED PC BOARD HOLE LAYOUT

THIS DRAWING IS A CONTROLLED DOCUMENT.		DWN AWF/L.A.MAYER 02APR2008	TE Connectivity Ltd.	
DIMENSIONS: mm [INCHES]		CHK A.W.FRANTUM 02APR2008		
TOLERANCES UNLESS OTHERWISE SPECIFIED:		APVD S.FLICKINGER 02APR2008	NAME CONNECTOR ASSEMBLY HIGH CURRENT CARD EDGE DUAL POSITION, 2.54 [0.100] CENTERLINE	
0 PLC ± - 1 PLC ± - 2 PLC ± - 3 PLC ± 0.13 [0.005] 4 PLC ± - ANGLES ± -		PRODUCT SPEC 108-2148	SIZE A2	CAGE CODE 00779
MATERIAL		FINISH	DRAWING NO 114-13018	RESTRICTED TO
			WEIGHT 0	SCALE 1:1
			CUSTOMER DRAWING	SHEET 3 OF 3
			DRAWING NO C=6489930	REV D3

单击下面可查看定价，库存，交付和生命周期等信息

[>>TE Connectivity\(泰科\)](#)