

4

3

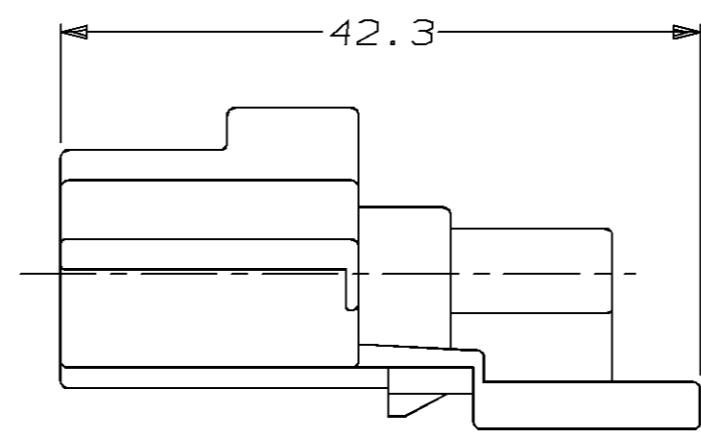
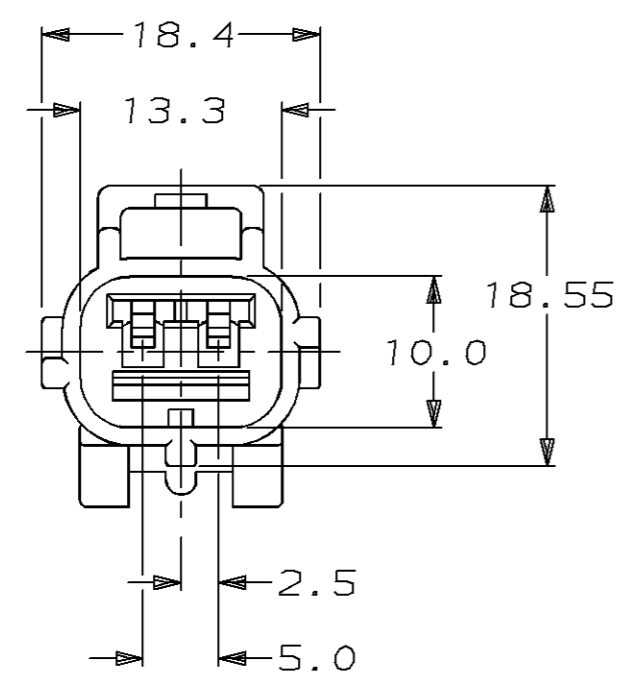
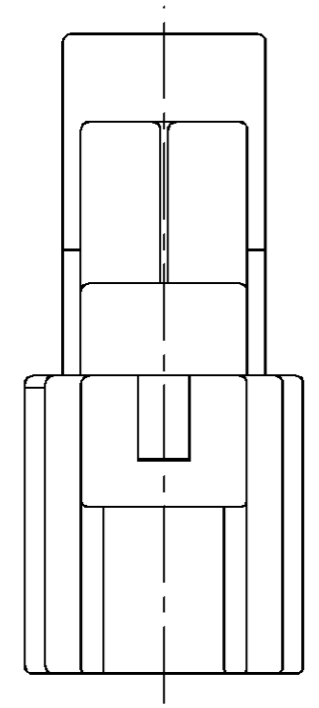
2

1

THIS DRAWING IS UNPUBLISHED. RELEASED FOR PUBLICATION, 19 .

© COPYRIGHT 19 BY AMP INCORPORATED. ALL RIGHTS RESERVED.

| LOC | DIST | REVISIONS | | | | | |
|-----|------|-----------|-----|---------------------------|----------|-----|------|
| | | P | LTR | DESCRIPTION | DATE | DWN | APVD |
| G | 16 | | 0 | INITIAL RELEASE | 02/14/96 | KW | JK |
| | | | A | REV PER ECN #OKSO-0014-96 | 09/20/96 | KW | JK |



184165-1

PART NUMBER

| | | | | | | |
|--|--|------------------|-------------------------------|----------|---|------------|
| <small>THIS DRAWING IS A CONTROLLED DOCUMENT FOR AMP INCORPORATED. IT IS SUBJECT TO CHANGE AND THE CONTROLLING ENGINEERING ORGANIZATION SHOULD BE CONTACTED FOR THE LATEST REVISION.</small> | | DWN | K. WISE | 02/14/96 | AMP Incorporated Harrisburg, PA 17105-3608 | |
| DIMENSIONS: | | CHK | J. KUNKLE | 03/08/95 | | |
| mm | | APVD | J. KUNKLE | 03/08/95 | | |
| | | PRODUCT SPEC | NAME | | | |
| TOLERANCES UNLESS OTHERWISE SPECIFIED: 0 PLC ±- 1 PLC ±0.3 2 PLC ±- 3 PLC ±- 4 PLC ±- ANGLES ±- FINISH | | APPLICATION SPEC | CAP HSG, SSC, 2 POSN C KEY | | | |
| MATERIAL | | WEIGHT | SIZE | | CAGE CODE | DRAWING NO |
| PBT, 15% GLASS FILLED | | BLACK | A3 | | 00779 | C-184165 |
| | | CUSTOMER DRAWING | SCALE | | SHEET | REV |
| | | | 2:1 | | 1 OF 1 | A |

单击下面可查看定价，库存，交付和生命周期等信息

[>>TE Connectivity\(泰科\)](#)