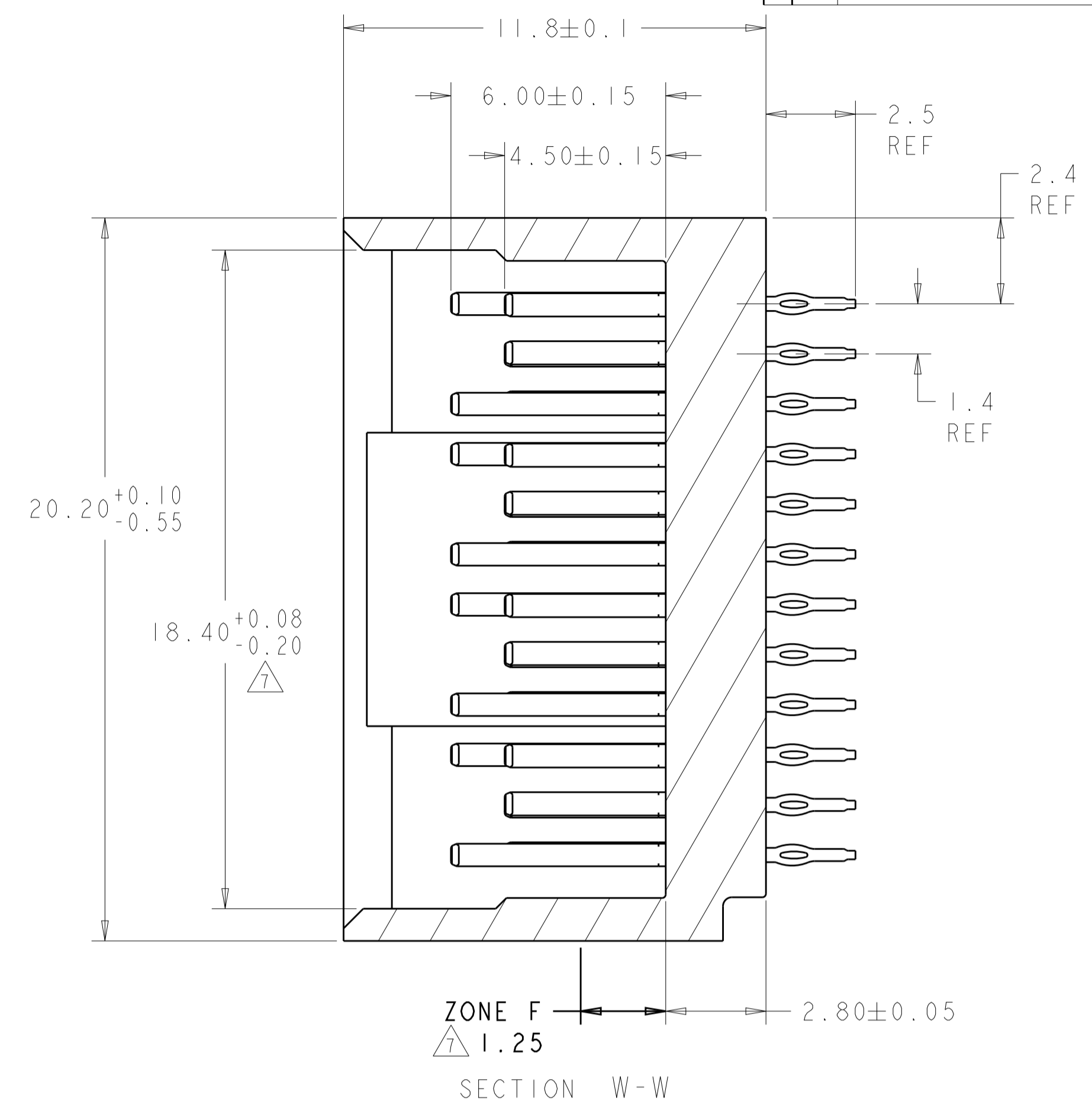
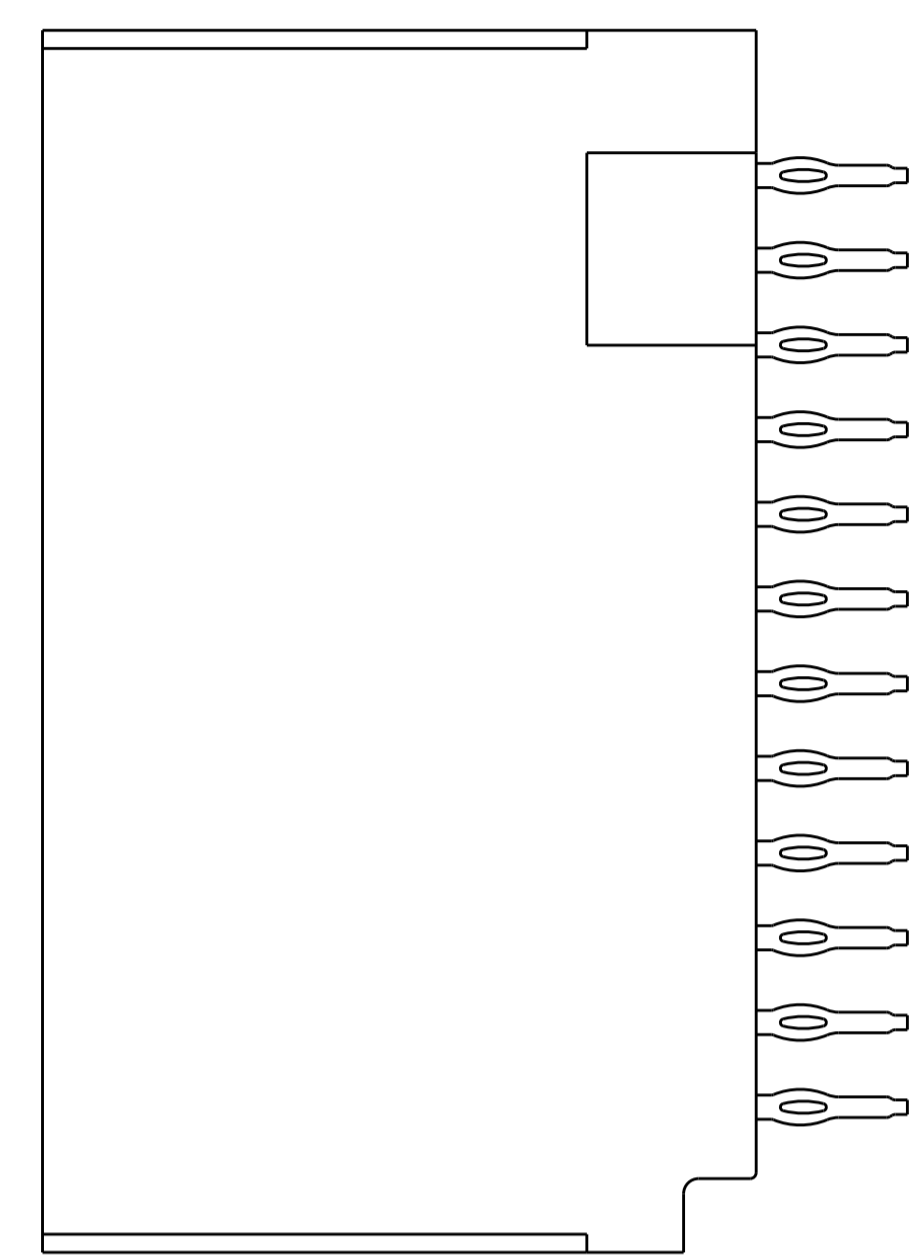
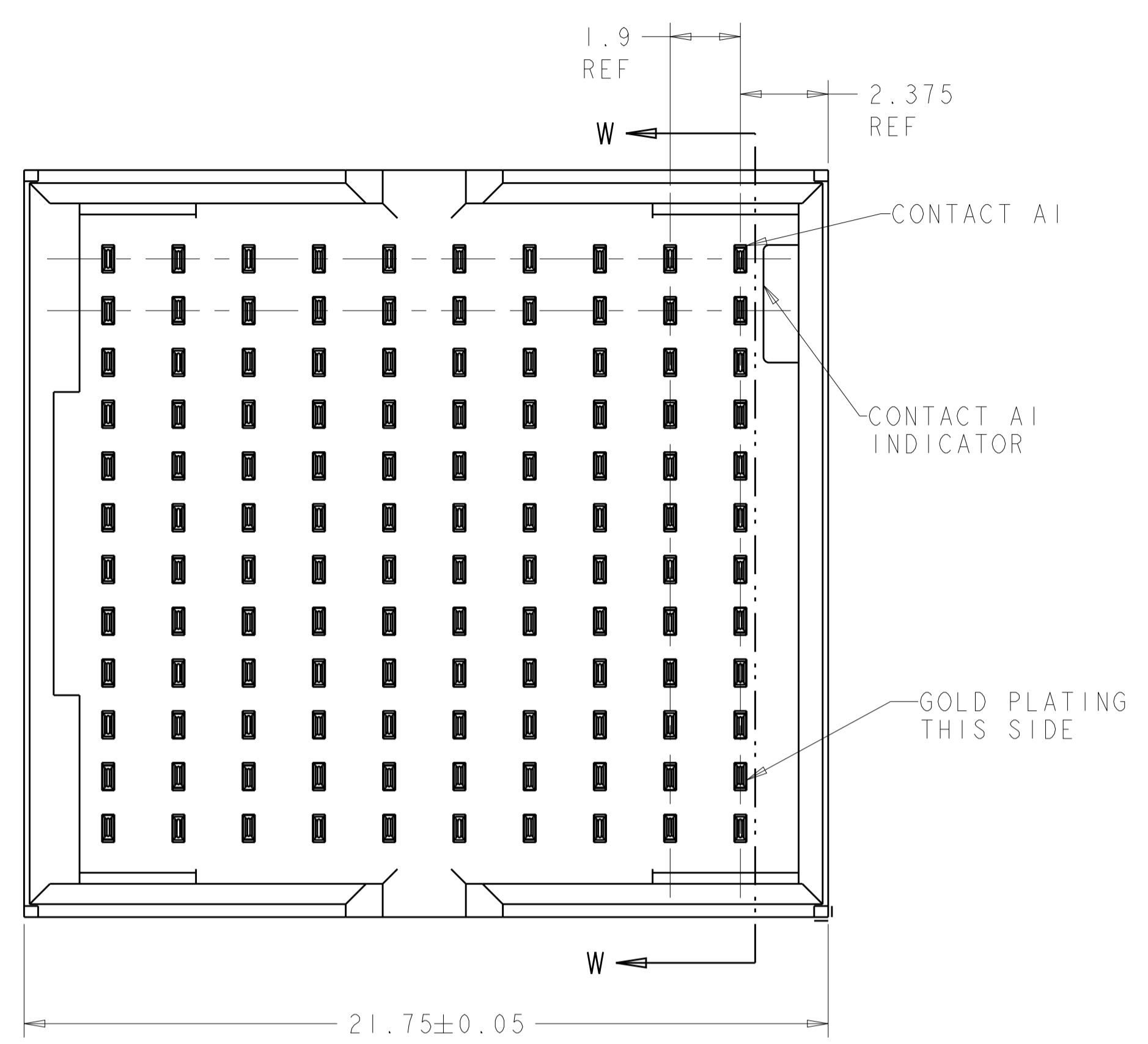
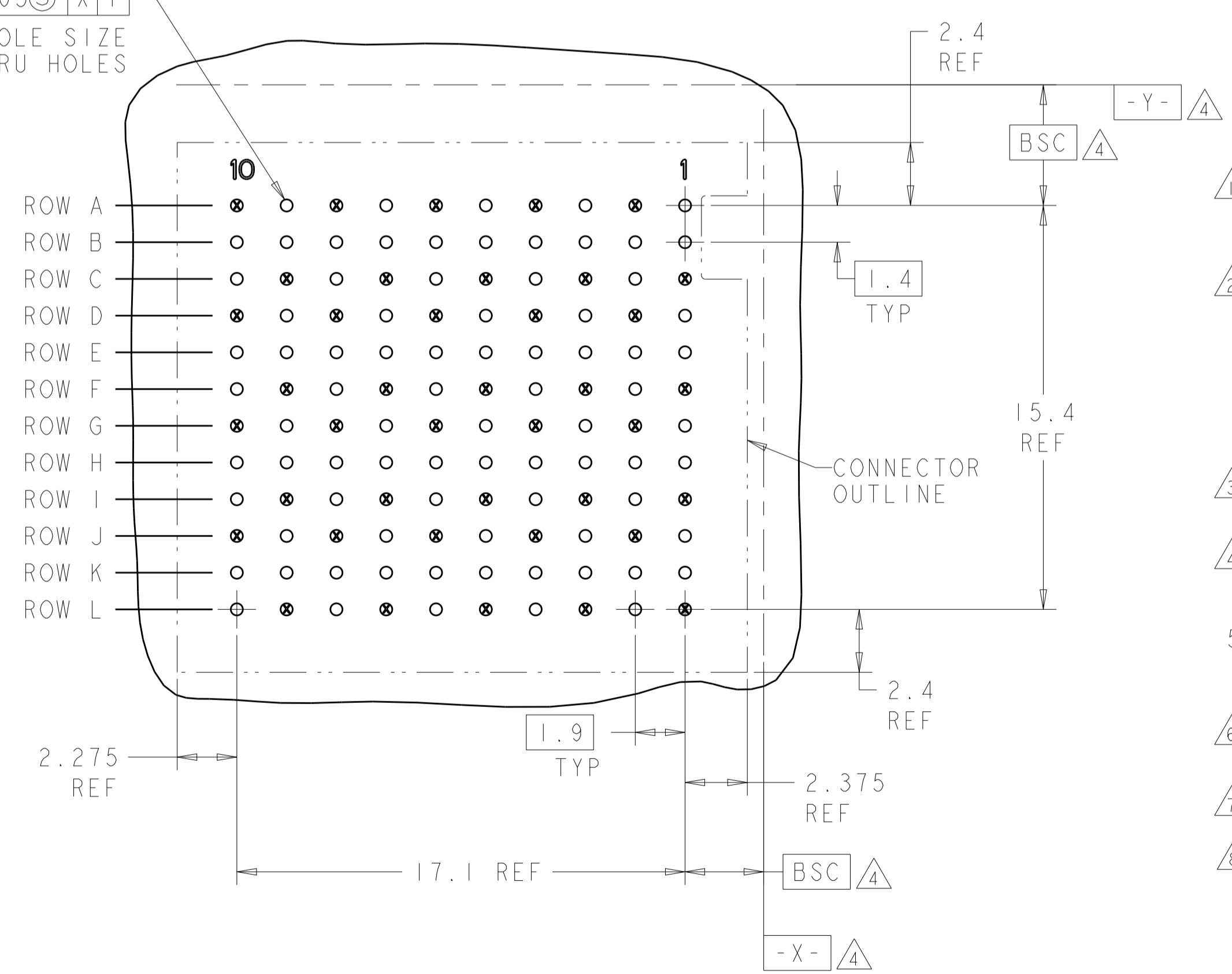


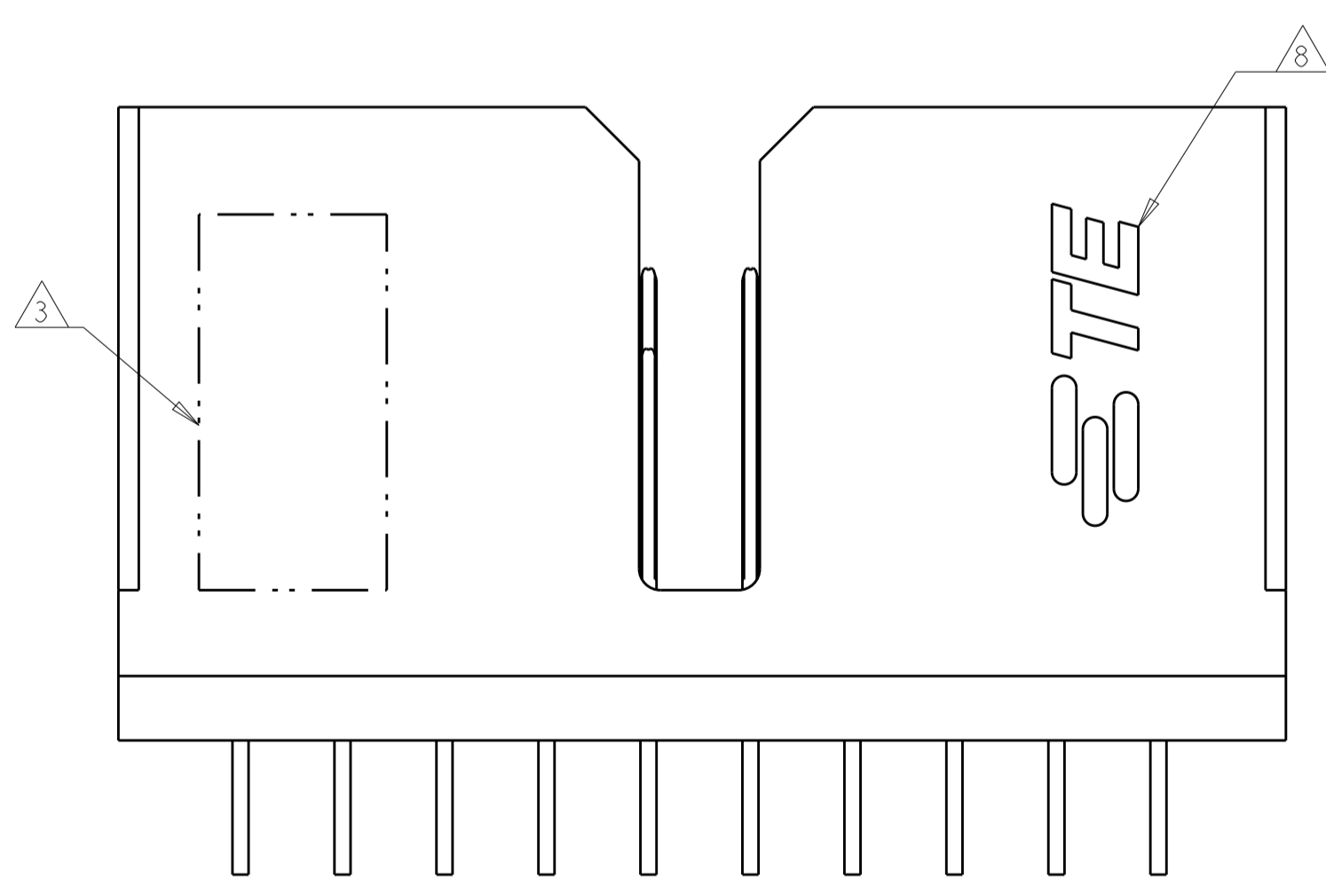
LOC		DIST		REVISIONS			
GP	00	P	LTN	DESCRIPTION	DATE	DMN	APVD
		F		REVISED PER ECO-13-010626	31JUL2013	KH	RP
		G		REVISED PER ECO-19-009248	28JUN2019	AP	SY



⊕ Ⓞ 0.05 Ⓞ X Y
FINISHED HOLE SIZE AND PLATED THRU HOLES



- 1 MATERIAL:
CONTACT - PHOS BRONZE
HOUSING - LCP, UL 94V-0, COLOR - BLACK
- 2 FINISH:
CONTACT AREA FINISH CONFORMS TO THE REQUIREMENTS OF TE PRODUCT SPECIFICATION 108-2303; BASED ON TELCORDIA GR-1217-CORE FOR SYSTEM QUALITY LEVEL III, APPLICATIONS IN CONTROLLED ENVIRONMENTS (CENTRAL OFFICE).
COMPLIANT PIN AREA- 0.5µm MIN MATTE TIN OVER 1.27µm MIN NICKEL.
- 3 CONNECTOR MARKED WITH PART NUMBER, DATE CODE AND STANDARD IN APPROXIMATE AREA SHOWN
- 4 DATUMS AND BASIC DIMENSIONS ESTABLISHED BY CUSTOMER.
- 5 CONTACT AREA LUBRICATED WITH BELLCORE APPROVED LUBRICANT. TECHNICAL REFERENCE GR-1217-CORE, ISSUE 1, NOVEMBER 1995.
- 6 REFERENCE APPLICATION SPEC 114-13202 FOR RECOMMENDED PLATED THRU HOLE DIAMETER AND PLATING THICKNESSES.
- 7 DIMENSION TO BE MEASURED IN ZONE F
- 8 SHOWN LOGO OR OTHER TE OWNED LOGOS IN APPROXIMATE AREA.



○ = SIGNAL
⊗ = GROUND
RECOMMENDED PC BOARD LAYOUT BACKPLANE, COMPONENT SIDE SHOWN
SCALE 6:1

1934312-1
PART NUMBER

THIS DRAWING IS A CONTROLLED DOCUMENT.		DMN B. MCMASTER 14JUN2007	1934312-1	
DIMENSIONS:		CHK W. DAVIS 14JUN2007	APVD W. DAVIS 14JUN2007	
mm	TOLERANCES UNLESS OTHERWISE SPECIFIED:	NAME HEADER ASSEMBLY, DOUBLE WALL, 4 PAIR 10 COLUMN TinMan		
⊕	0 PLC ±	PRODUCT SPEC		
⊕	1 PLC ±	APPLICATION SPEC		
⊕	2 PLC ±	SIZE A1		
⊕	3 PLC ±	CAGE CODE 100779		
⊕	4 PLC ±	DRAWING NO 1934312		
⊕	ANGLES ±	RESTRICTED TO		
MATERIAL	FINISH	WEIGHT	SCALE 8:1 SHEET 1 OF 1 REV G	
1	2	CUSTOMER DRAWING		

单击下面可查看定价，库存，交付和生命周期等信息

[>>TE Connectivity\(泰科\)](#)