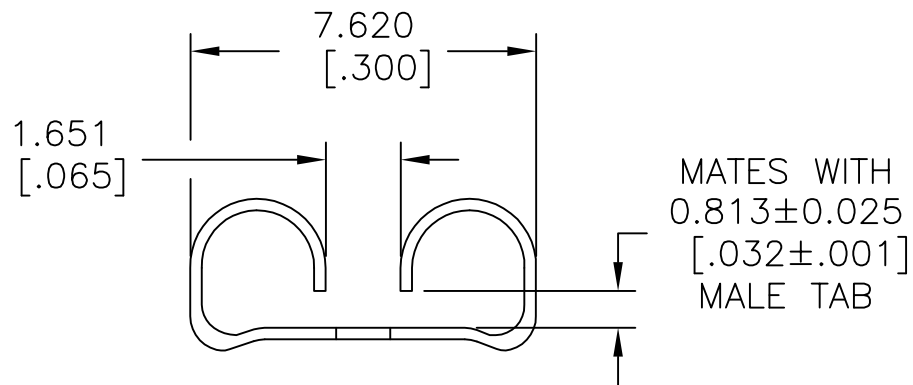
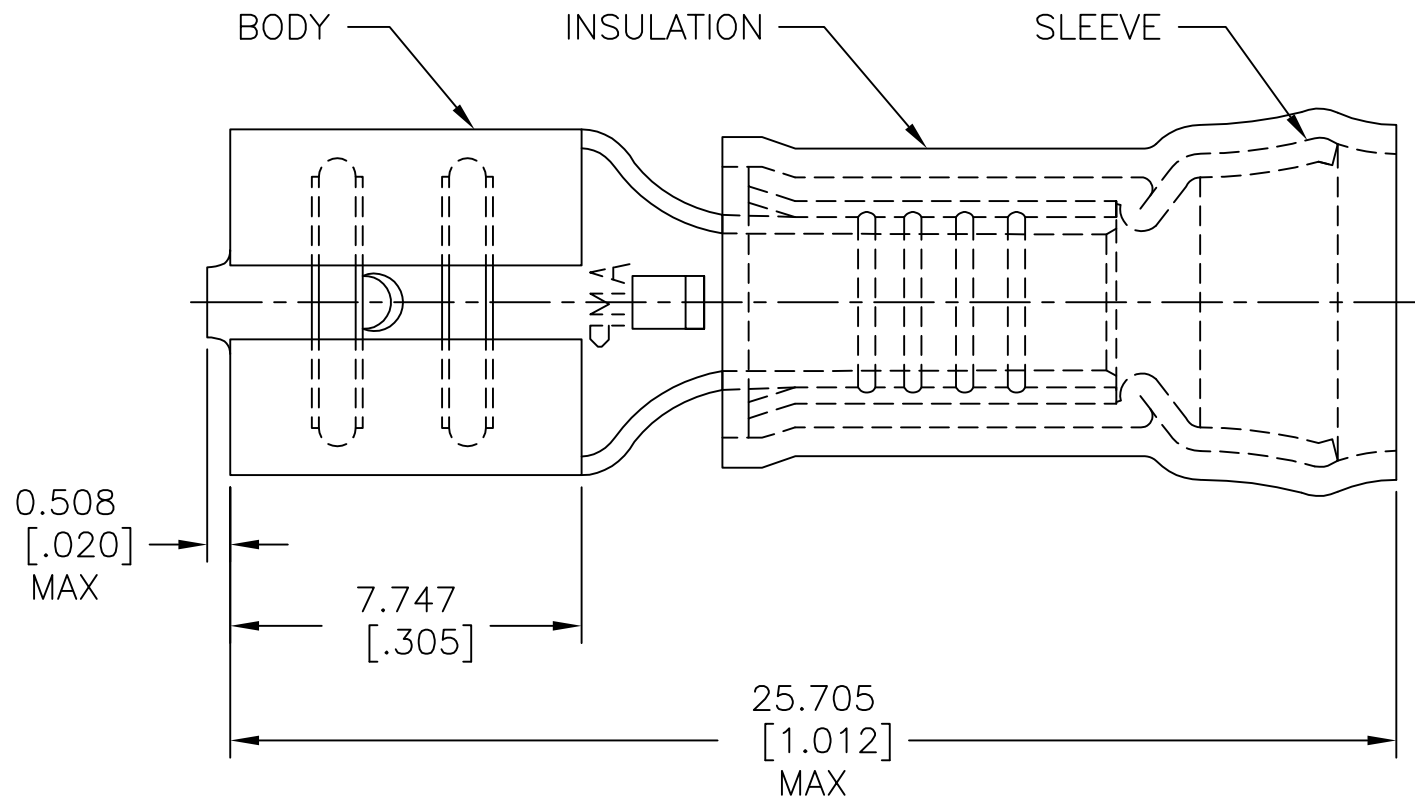


REVISIONS					
P	LTR	DESCRIPTION	DATE	DWN	APVD
	Z1	REVISED PER ECO-11-004820	11MAR11	RK	HMR
	Z2	REVISED PER ECO-17-018182	12DEC2017	RS	DR



- 1 FOR $\phi 6.350 [\phi .250]$ MAX INSULATION.
- 2 MAX WIRE LIMITED TO $3.278\text{mm}^2 [6,470]$ CMA.

BRASS MIL-C-50	100	LOOSE PIECE, BOX	8-42844-1
BRASS MIL-C-50	2500	ON TAPE, REEL	42844-3
PHOS BRONZE QQ-B-750	500	LOOSE PIECE	42844-2
BRASS MIL-C-50	500	LOOSE PIECE	42844-1
BODY MATERIAL	QTY	PACKAGE TYPE	PART NO

AMP INCORPORATED CUSTOMER SERVICE SYSTEM		MAX RECOMMENDED OPERATING TEMPERATURE: -	THIS DRAWING IS A CONTROLLED DOCUMENT.		DWN L OLMEDA 26JUN95	TE Connectivity RECEPTACLE, 250 SERIES, FASTON™, PIDG™, WIRE SIZE: 14-12 AWG						
FOR ADDITIONAL PRODUCT INFORMATION OR COPIES OF DRAWINGS AND TECHNICAL DOCUMENTS	PRODUCT INFORMATION CENTER 1-800-522-6752	VOLTAGE RATING: -	DIMENSIONS: mm [INCHES]	TOLERANCES UNLESS OTHERWISE SPECIFIED:	CHK M ELLIS 26JUN95					NAME		
FOR APPLICATION TOOLING INFORMATION	TOOLING ASSISTANCE CENTER 1-800-722-1111	CIRCULAR MIL AREA: -		0 PLC ± - 1 PLC ± - 2 PLC ± - 3 PLC ± 0.127[.005] 4 PLC ± - ANGLES ± -	APVD B BARE 26JUN95	APPLICATION SPEC						
FOR ORDER ENTRY	1-800-526-5142			MATERIAL BODY, SEE TABLE INSUL, NYLON, COLOR, GREEN	FINISH BODY, TIN PLATE PER ASTM B545	PRODUCT SPEC	SIZE	CAGE CODE	DRAWING NO	RESTRICTED TO		
					WEIGHT	A3 00779		C=42844				
					CUSTOMER DRAWING		SCALE	6:1	SHEET	1 OF 1	REV	Z2

单击下面可查看定价，库存，交付和生命周期等信息

[>>TE Connectivity\(泰科\)](#)