

THIS DRAWING IS UNPUBLISHED.

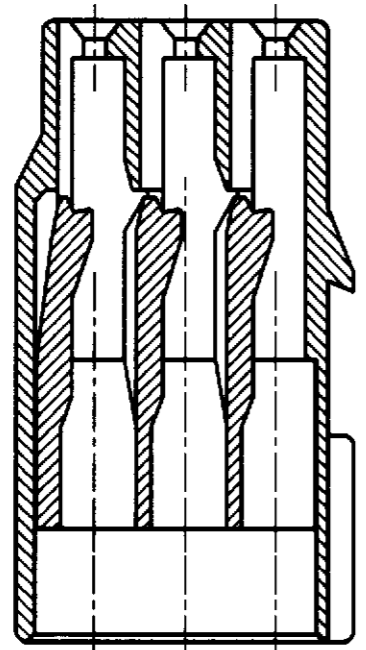
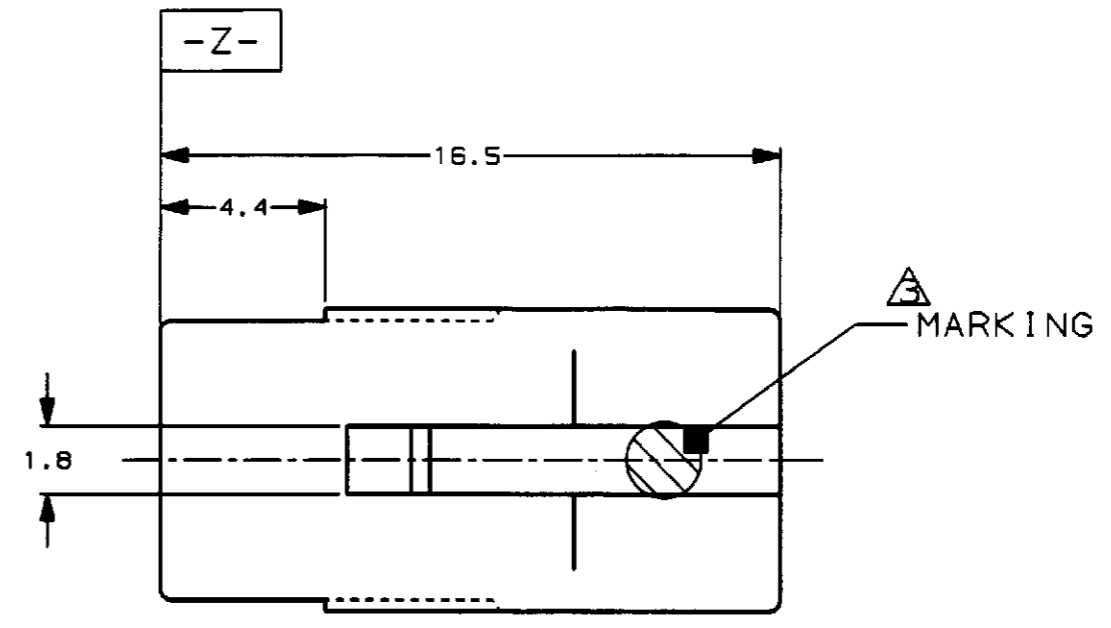
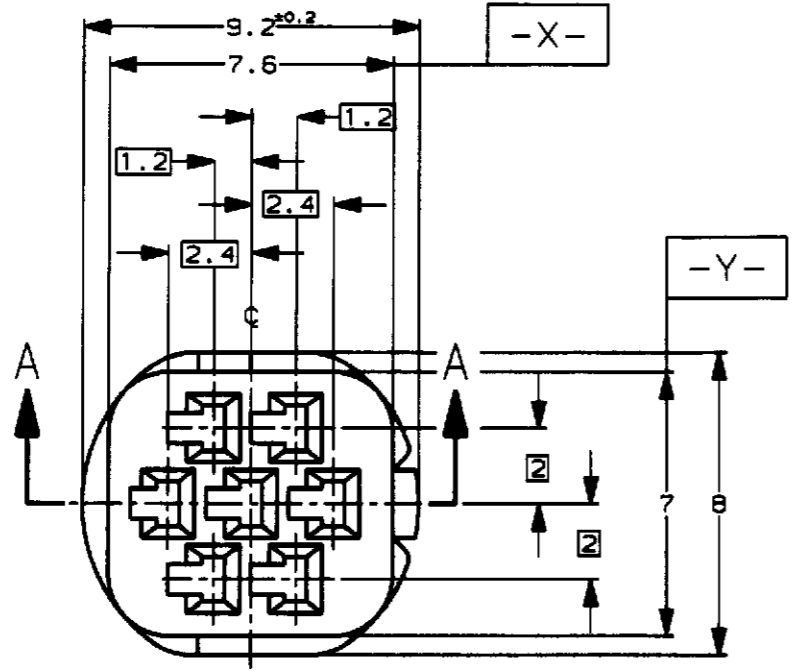
RELEASED FOR PUBLICATION

,19 .

© COPYRIGHT 1997

BY AMP INCORPORATED. ALL RIGHTS RESERVED.

LOC	DIST	REVISIONS						
		P	LTR	DESCRIPTION	ECN	DATE	DWN	APVD
		0		RELEASED	FJ00-0569-97	15APR97	KA	KS
		A		REVISED	FJ00-2055-98	27OCT98	TH	KY



A-A

1. 嵌合相手ハウジング型番: 353900
2. 内装するリセコンタクト型番: 917308
3. 色: 桃色
4. 製品規格番号: 108-5426
5. 取扱説明書: 412-5653-1

1. THE MATING CAP HSG P/N 353900
2. APPLIED CONTACT P/N 917308
3. COLOR: PINK
4. PRODUCT SPEC. No.: 108-5426
5. INSTRUCTION SHEET: 412-5653

<small>THIS DRAWING IS A CONTROLLED DOCUMENT FOR AMP INCORPORATED. IT IS SUBJECT TO CHANGE AND THE CONTROLLING ENGINEERING ORGANIZATION SHOULD BE CONTACTED FOR THE LATEST REVISION.</small>		DWN	K. AOYAMA	10APR97	<b>AMP</b> <small>日本一電機株式会社</small> Kawasaki, Japan
DIMENSIONS:		CHK	H. TAKAGI	10APR97	
<small>単位 種</small> <small>mm</small>		APVD	K. SHIMIZU	15APR97	
<small>TOLERANCES UNLESS OTHERWISE SPECIFIED</small> 一般公差 10mm ±0.2 30mm ±0.25 100mm ±0.3 ANGLE ±3°		PRODUCT SPEC	7Pos. PLUG HSG. MINI MULTI LOCK CONN. (NON-SEALED TYPE) 7極 プラグ ハウジング ミニ マルチロック コネクタ (非防水タイプ)		
MATERIAL		APPLICATION SPEC	SIZE		
材料 PBT-GF PBTガラス入		WEIGHT	CAGE CODE		DRAWING NO
COLOR		A3		00779	353899
SEE TABLE		CUSTOMER DRAWING		SCALE 5:1 SHEET 1 OF 1 REV A	

单击下面可查看定价，库存，交付和生命周期等信息

[>>TE Connectivity\(泰科\)](#)