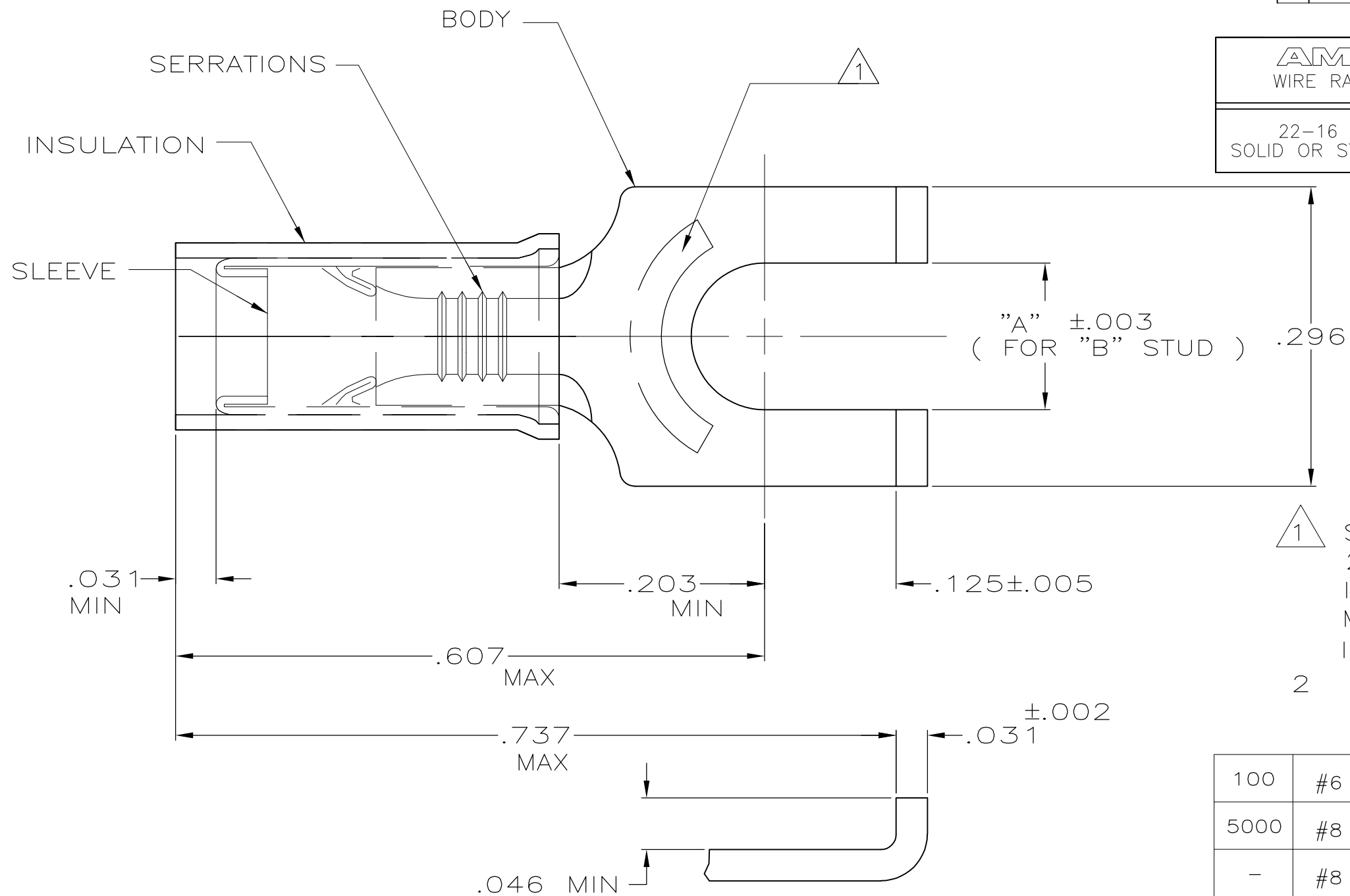


THIS DRAWING IS UNPUBLISHED. RELEASED FOR PUBLICATION
 © COPYRIGHT - By - ALL RIGHTS RESERVED.

LOC	DIST	REVISIONS					
G	14	P	LTR	DESCRIPTION	DATE	DWN	APVD
		S1		REVISED PER ECO-11-004820	11MAR11	RK	HMR



AMP WIRE RANGE	Listed	LR7189 Certified
22-16 AWG SOLID OR STRANDED	22-16 AWG SOLID OR STRANDED	22-16 AWG SOLID OR STRANDED

1 STAMP AMP 22-18* APPROX AS SHOWN
 22-16 TERMINALS ARE STAMPED 22-18
 IN ACCORDANCE WITH MILITARY SPEC
 MIL-T-7928, COMMERCIAL WIRE RANGE
 IS 22-16.
 2 WIRE INSULATION DIA IS .105-.140

100	#6	.145	LOOSE PIECE, BOX	8-32562-1
5000	#8	.171	ON TAPE, REEL	2-32562-3
-	#8	.171	LOOSE PIECE	2-32562-2
5000	#6	.145	ON TAPE, REEL	2-32562-1
-	#6	.145	LOOSE PIECE	32562
QTY	"B"	"A"	DESCRIPTION	PART NO.

**AMP INCORPORATED
 CUSTOMER SERVICE SYSTEMS**

FOR ADDITIONAL PRODUCT INFORMATION OR COPIES OF DRAWINGS AND TECHNICAL DOCUMENTS	PRODUCT INFORMATION CENTER 1-800-522-6752
FOR APPLICATION TOOLING INFORMATION	TOOLING ASSISTANCE CENTER 1-800-722-1111
FOR ORDER ENTRY	1-800-526-5142

MAX RECOMMENDED OPERATING
TEMPERATURE:
105° C MAX

VOLTAGE RATING:
300 V MAX

WIRE CROSS SECTIONAL AREA RANGE:
0.26-1.65mm² [509-3,260] CIR MILS
SOLID OR STRANDED

THIS DRAWING IS A CONTROLLED DOCUMENT.

DIMENSIONS: INCHES	TOLERANCES UNLESS OTHERWISE SPECIFIED:
	0 PLC ± - 1 PLC ± - 2 PLC ± - 3 PLC ± .008 4 PLC ± - ANGLES ± -
MATERIAL BODY & SLEEVE: COPPER PER ASTM B152 INSULATION: NYLON-RED	FINISH BODY: TIN PLATE PER ASTM B545

DWN JR RUTH 24JUL02	TE Connectivity
CHK T MICHIELUTTI 24JUL02	
APVD T MICHIELUTTI 24JUL02	
PRODUCT SPEC	
NAME	WIRE TERMINAL, PIDG, FLANGED SPADE, 22-16 AWG
APPLICATION SPEC	SIZE A3
WEIGHT	CAGE CODE 00779
CUSTOMER DRAWING	DRAWING NO C-32562
SCALE 8:1	RESTRICTED TO
SHEET 1 OF 1	REV S1

单击下面可查看定价，库存，交付和生命周期等信息

[>>TE Connectivity\(泰科\)](#)