

THIS DRAWING IS UNPUBLISHED.

RELEASED FOR PUBLICATION NOV , 2003.

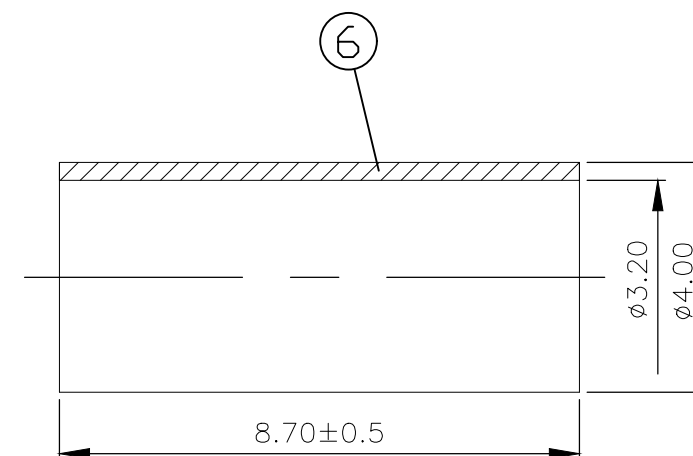
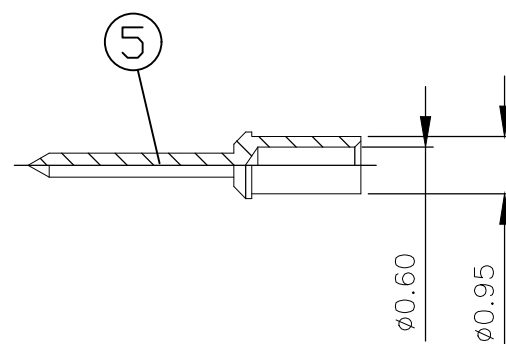
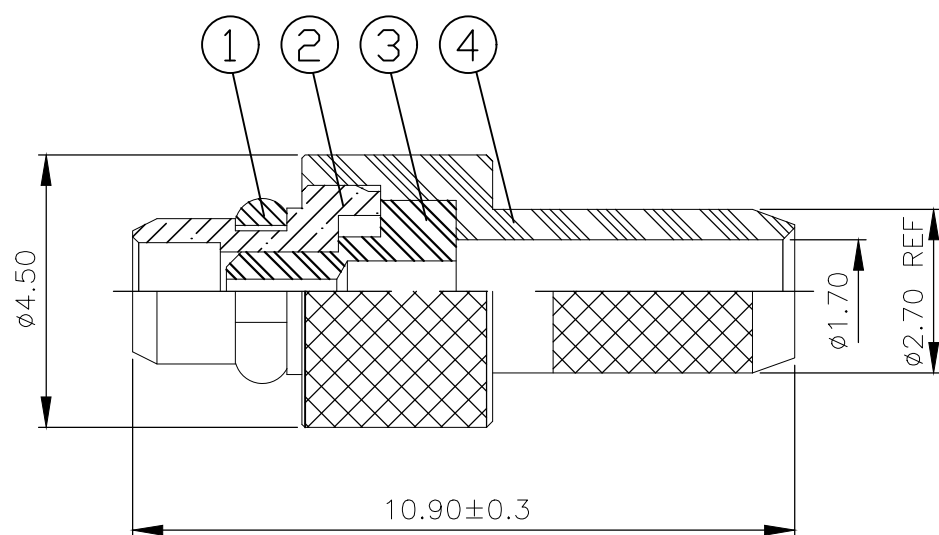
REVISIONS

© COPYRIGHT 2003 By -

ALL RIGHTS RESERVED.

P	LTR	DESCRIPTION	DATE	DWN	APVD
	B2	ECR-19-007643	15MAY2019	RZ	RS

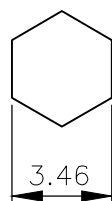
- 1 SINGLE PACK IN ACCORDANCE WITH SPEC 107-3275
- 2 100 TRAY PACK IN ACCORDANCE WITH SPEC 107-3275
- 3 0.76µm Au PLATING OVER 1.27µm Ni PLATING OVER 0.76µm Cu PLATING
- 4 0.08µm Au PLATING OVER 1.27µm Ni PLATING OVER 0.76µm Cu PLATING
- 5 HANDTOOL 9-1478240-0
- 6 DIE SET 9-1478248-0



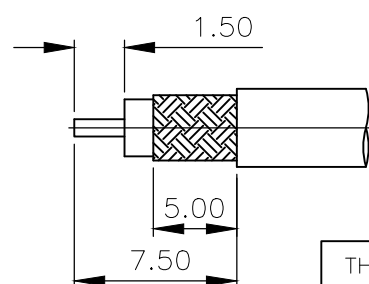
RECOMMENDED CENTRE CONTACT A/F SQR



RECOMMENDED CRIMP SLEEVE A/F HEX



RECOMMENDED CABLE STRIPPING DIM'S



QTY	QTY PER ASSY	MATERIAL	DESCRIPTION	ITEM
1	1	BRASS	CRIMP SLEEVE	6
1	1	BRASS	PIN	5
1	1	BRASS	BODY	4
1	1	PTFE	INSULATOR	3
1	1	BRASS	BODY	2
1	1	BERYLLIUM COPPER	RETAINING RING	1
6--0	1--0			

THIS DRAWING IS A CONTROLLED DOCUMENT.

DWN J.SANDWELL 12NOV03  
 CHK S.PARLOW 12NOV03  
 APVD F.WHEELER-KING 12NOV03

PRODUCT SPEC 108-2084  
 APPLICATION SPEC

STE TE Connectivity

MMCX STRAIGHT PLUG CRIMP RG174 50 OHMS

SIZE A3 CAGE CODE 00779 DRAWING NO C-1634000 RESTRICTED TO

WEIGHT 0.000000

CUSTOMER DRAWING SCALE NTS SHEET 1 OF 1 REV B2

DIMENSIONS:	TOLERANCES UNLESS OTHERWISE SPECIFIED:
mm	
0 PLC	± -
1 PLC	± -
2 PLC	± 0.15
3 PLC	± -
4 PLC	± -
ANGLES	± -
MATERIAL	FINISH
-	-

单击下面可查看定价，库存，交付和生命周期等信息

[>>TE Connectivity\(泰科\)](#)