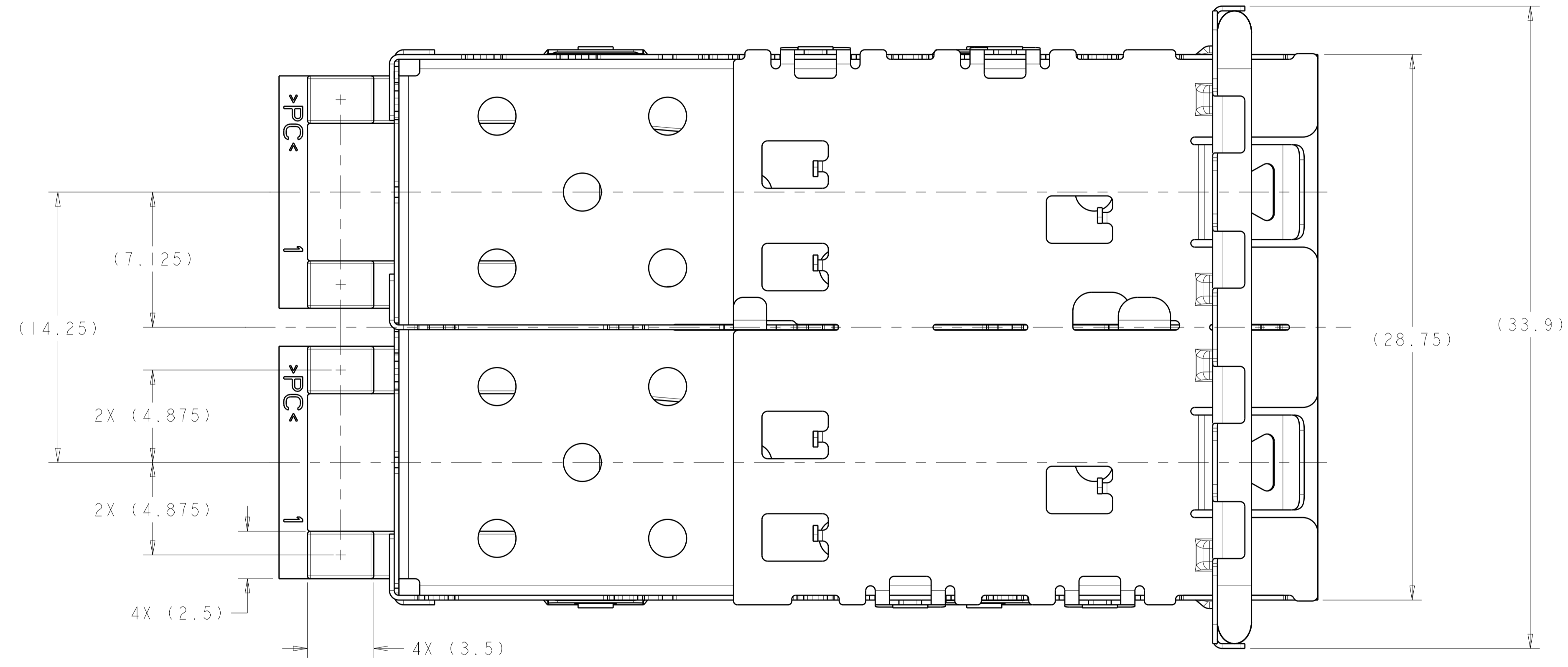
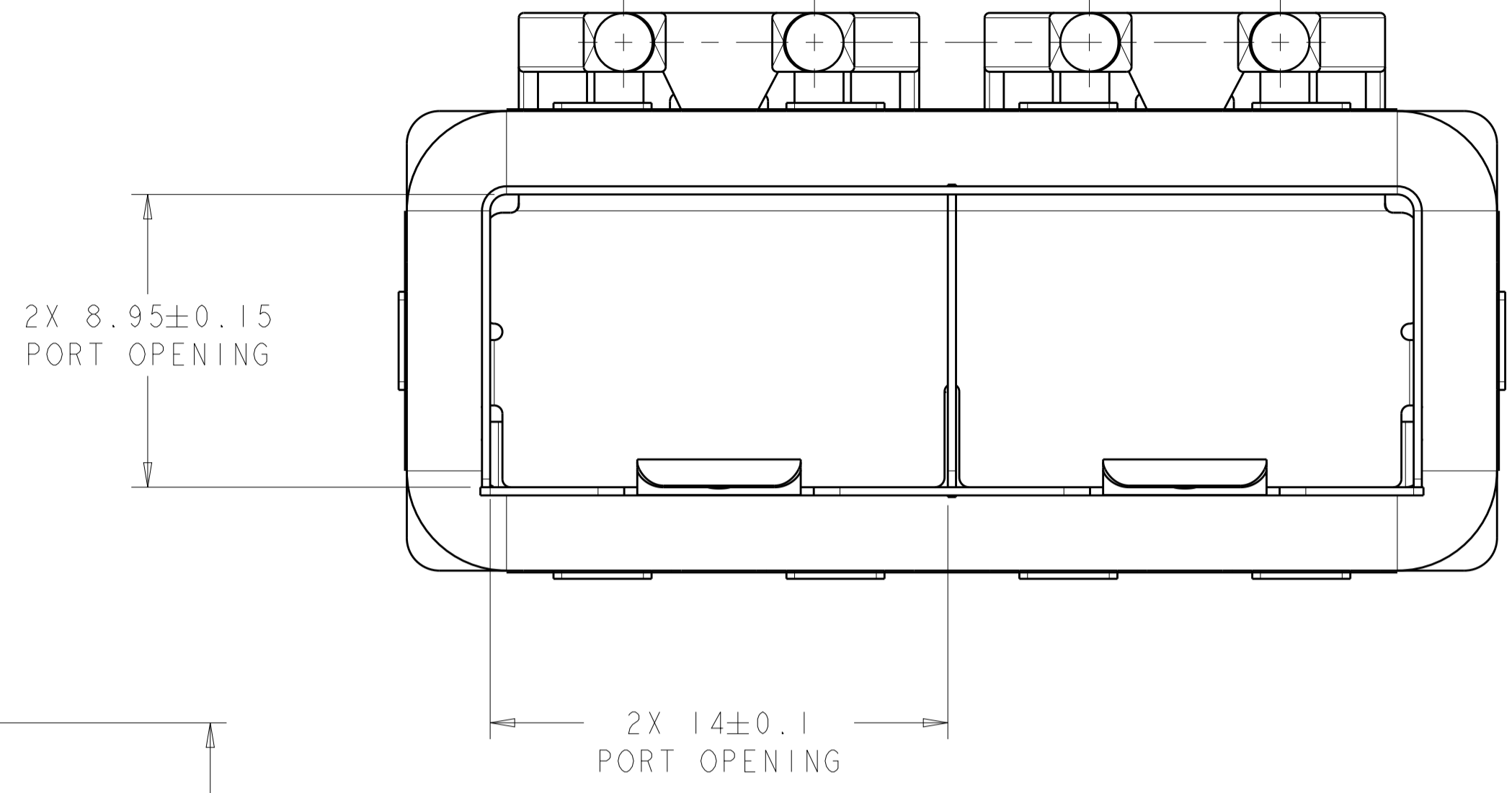
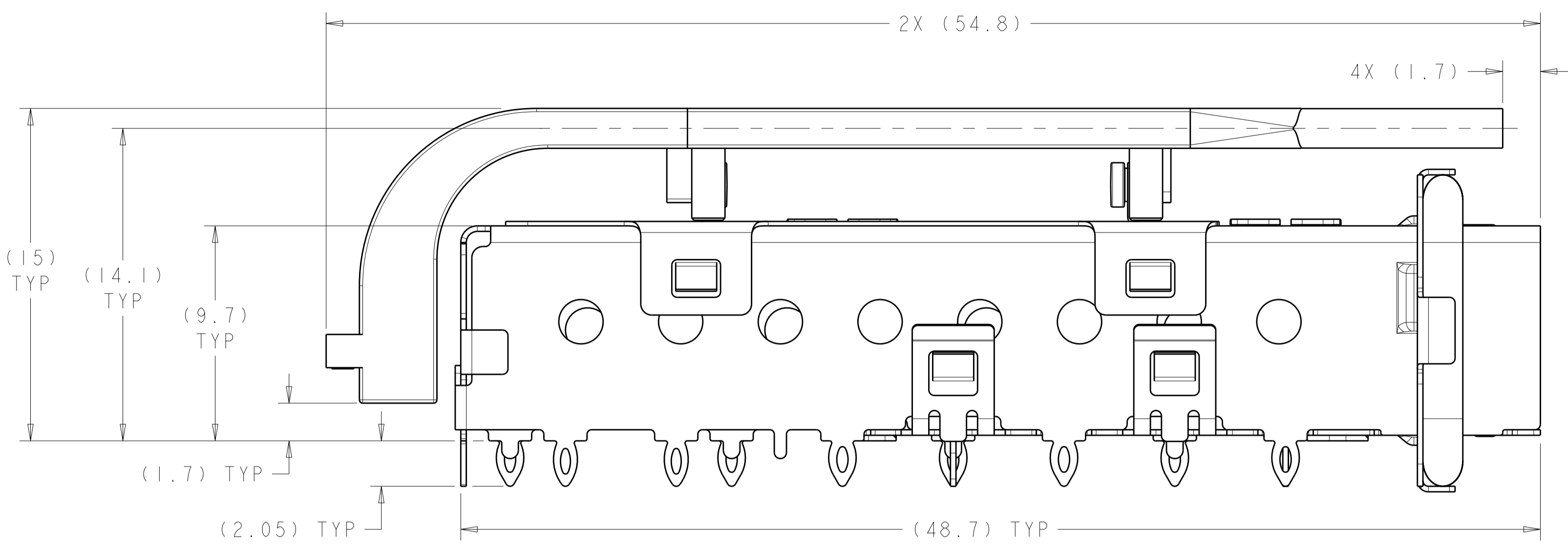
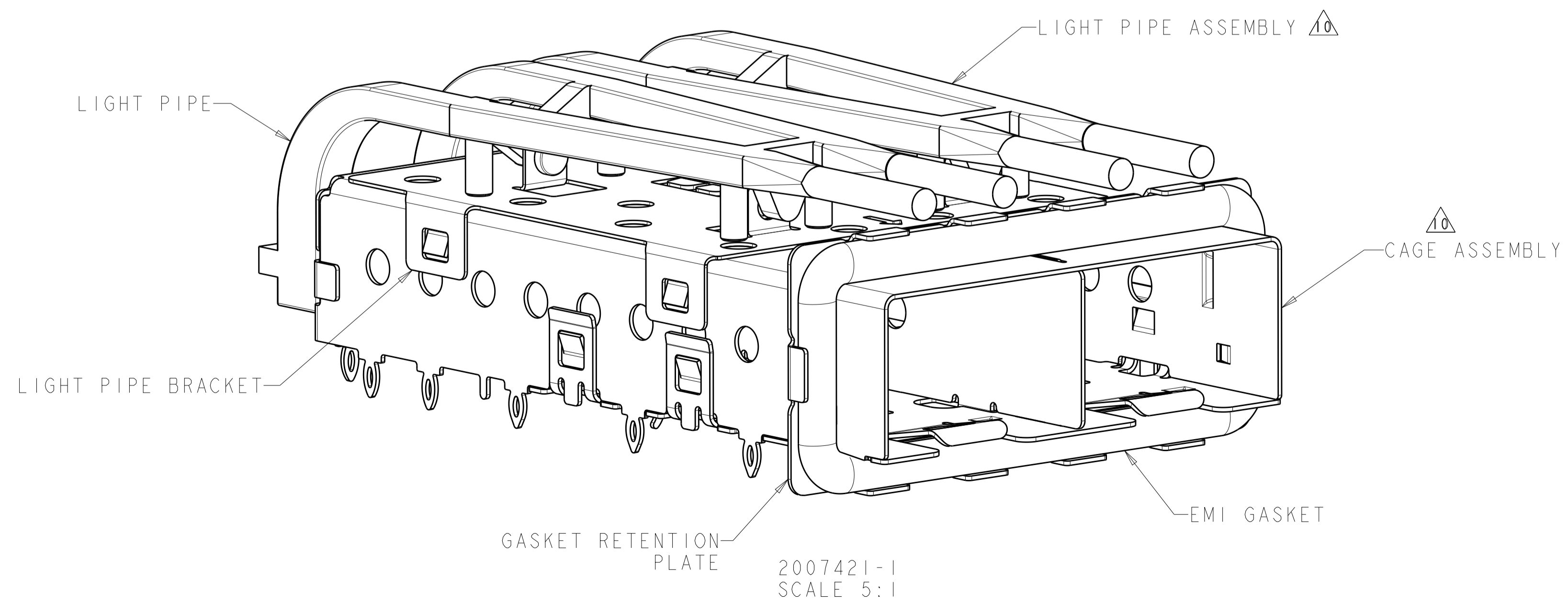


LOC	DIST	REVISIONS					
GP	00	P	LTN	DESCRIPTION	DATE	DWN	APVD
		B		RELEASED PER ECO-09-022874	90CT2009	ZMR	MRS
		C		REVISED PER ECO-10-004036	01MAR2010	CJV	MRS
		D		REVISED PER ECO-12-014021	10DEC2012	TD	AC



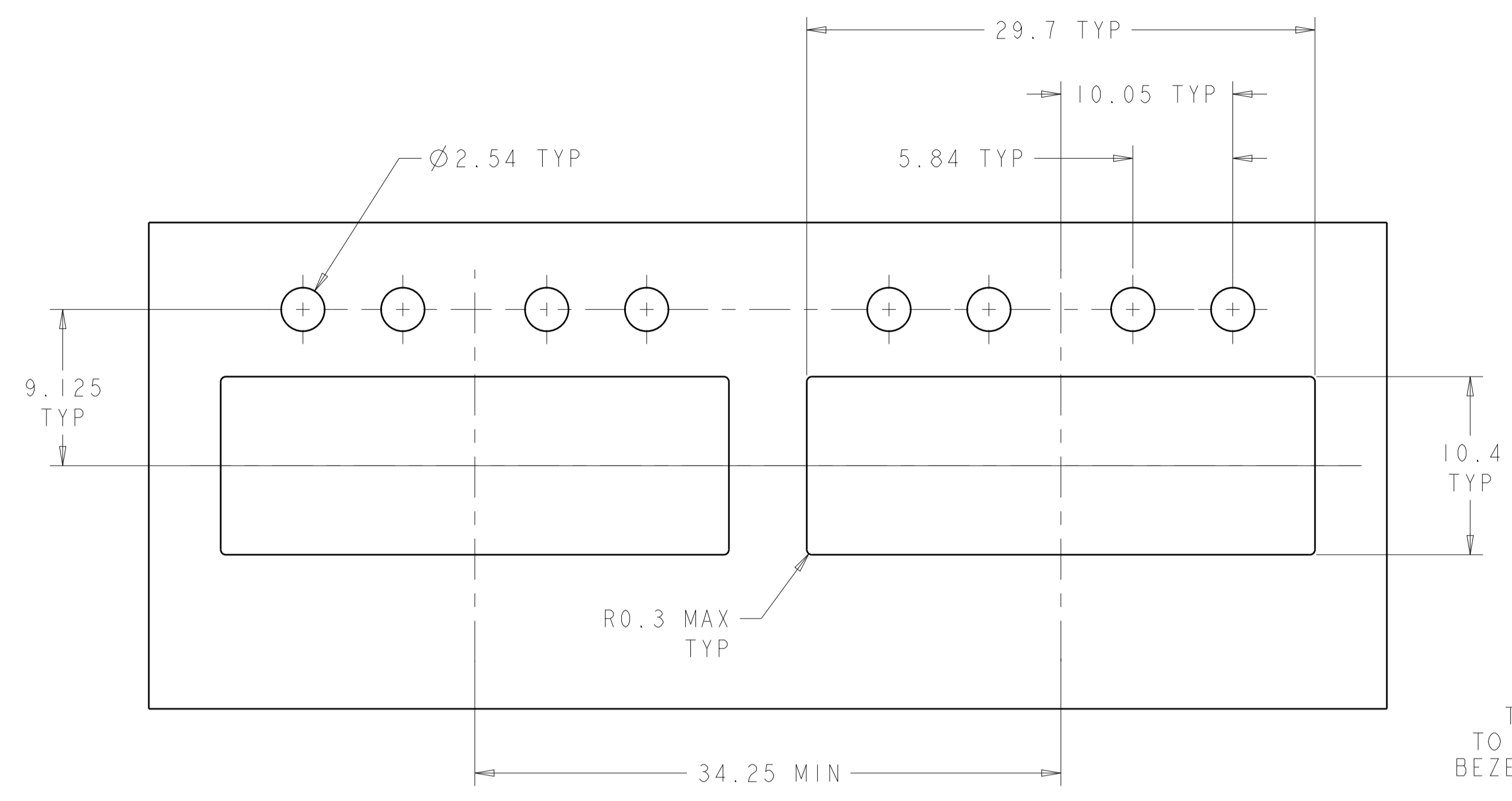
- △ MATERIAL:
CAGE ASSEMBLY - 0.25mm THICK NICKEL SILVER ALLOY
GASKET RETENTION PLATE - STAINLESS STEEL
EMI GASKET - PLATED FILLED SILICONE
LIGHT PIPE - POLYCARBONATE, CLEAR
- △ DATUM AND BASIC DIMENSION ESTABLISHED BY CUSTOMER.
- 3. MATES WITH SFP MSA COMPLIANT TRANSCEIVERS.
- △ PADS AND VIAS CHASSIS GROUND.
- 5. INTERPRETATION OF DATUM REFERENCE FRAME IN ACCORDANCE WITH SECT 4.4.1.1 OF ASME Y14.5M-1994.
- △ MINIMUM PC BOARD THICKNESS = 1.50mm.
- △ HOLE PATTERN REPEATS FOR EACH PORT. SPACING BETWEEN PORTS IS 14.25mm.
- △ REFERENCE APPLICATION SPEC. 114-13120, HOLE A, FOR RECOMMENDED DRILL HOLE DIAMETER AND PLATING THICKNESS.
- △ REFERENCE APPLICATION SPEC. 114-13120, HOLE B, FOR RECOMMENDED DRILL HOLE DIAMETER AND PLATING THICKNESS.
- △ 2007181-1, CAGE ASSEMBLY, AND 2007182-1, LIGHT PIPE ASSEMBLY ARE PACKAGED TOGETHER AS A COMPLETED ASSEMBLY.
- 11. PRODUCT COMPLIES WITH SPECIFICATION SFF-8433 IMPROVED PLUGGABLE FORM FACTOR FOR SFP+ GANGED CAGES.



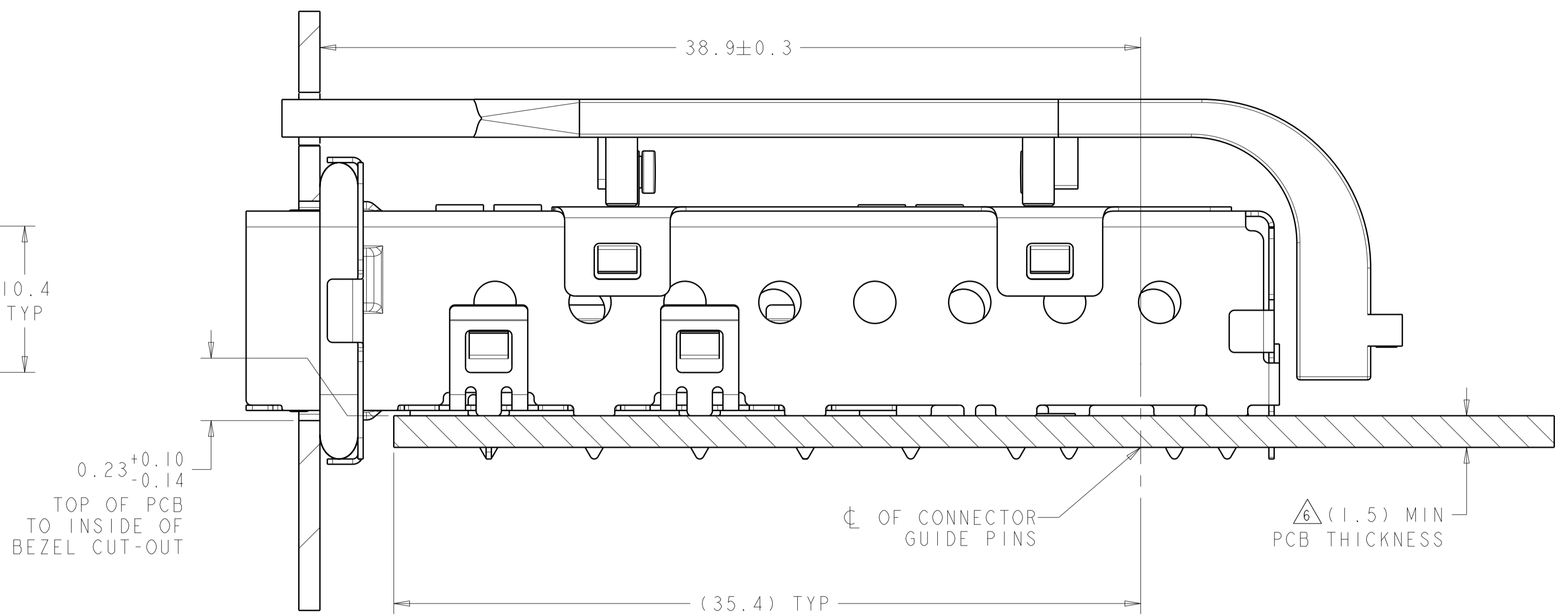
2007421-1
PART NUMBER

<small>THIS DRAWING IS UNPUBLISHED. RELEASED FOR PUBLICATION. COPYRIGHT 20 BY TYCO ELECTRONICS CORPORATION. ALL RIGHTS RESERVED.</small>		DWN: Z.M.REAM 2NOV2007 CHK: M.R.SCHMITT 2NOV2007 APVD: B.H.WERTZ 2NOV2007	Tyco Electronics Harrisburg, PA 17105-3608
DIMENSIONS: mm 	TOLERANCES UNLESS OTHERWISE SPECIFIED: 0 PLC ±0.1 1 PLC ±0.1 2 PLC ±0.1 3 PLC ±0.1 4 PLC ±0.1 ANGLES ±1°	PRODUCT SPEC: 108-2364 APPLICATION SPEC: 114-13120 WEIGHT: - Customer Drawing	NAME: SFP+ 1X4 CAG ASSEMBLY PRESS FIT, EMI GASKET W/ LIGHT PIPES SIZE: A1 CAGE CODE: 00779 DRAWING NO: 2007421 RESTRICTED TO: - SCALE: 6:1 SHEET: 1 OF 3 REV: D

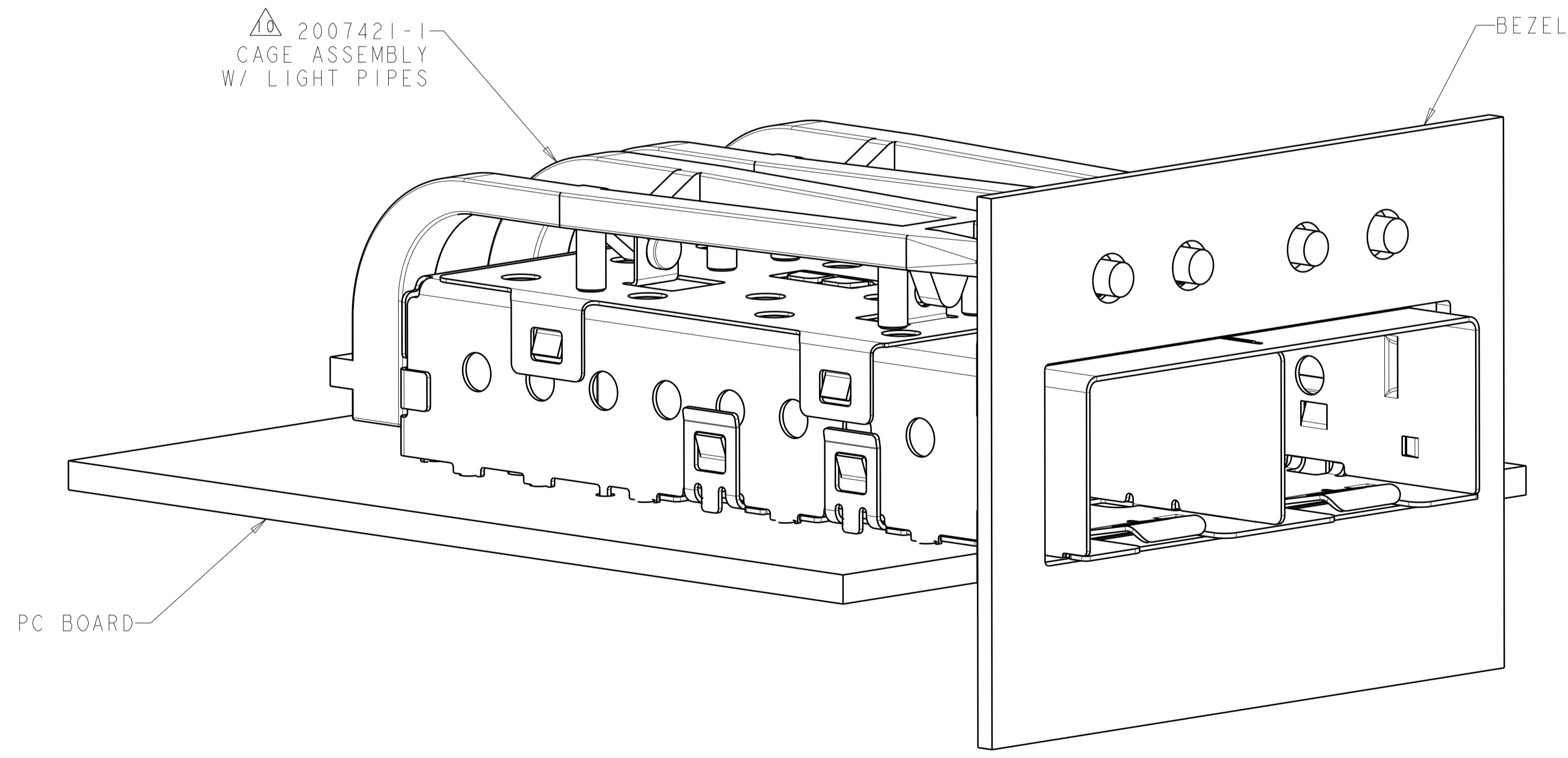
LOC	DIST	REVISIONS					
GP	00	P	LTN	DESCRIPTION	DATE	DWN	APVD
		-		SEE SHEET 1			



RECOMMENDED BEZEL CUT-OUT
SCALE 4:1



2007421-1
MOUNTED ON PCB SHOWN
THRU RECOMMENDED BEZEL

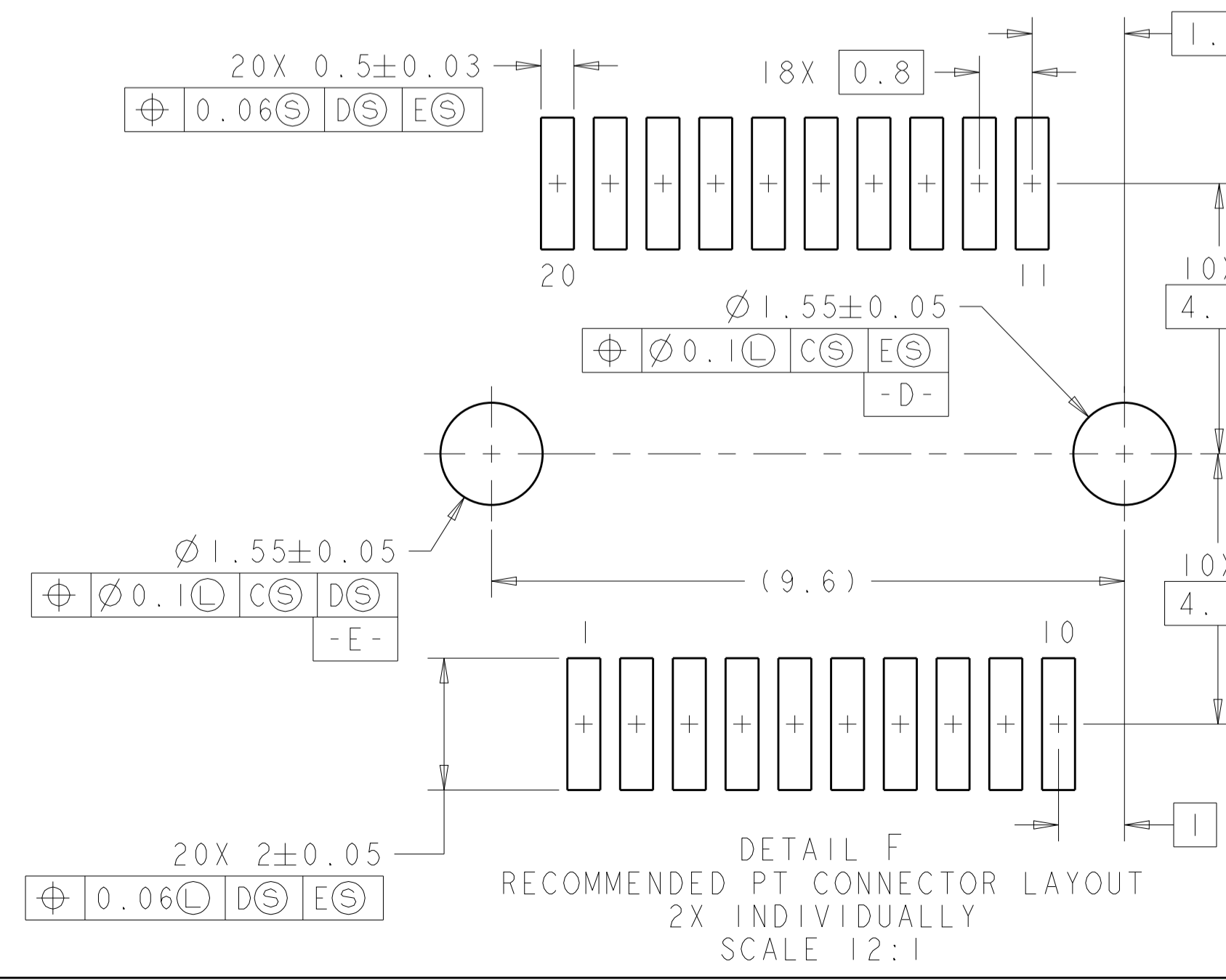
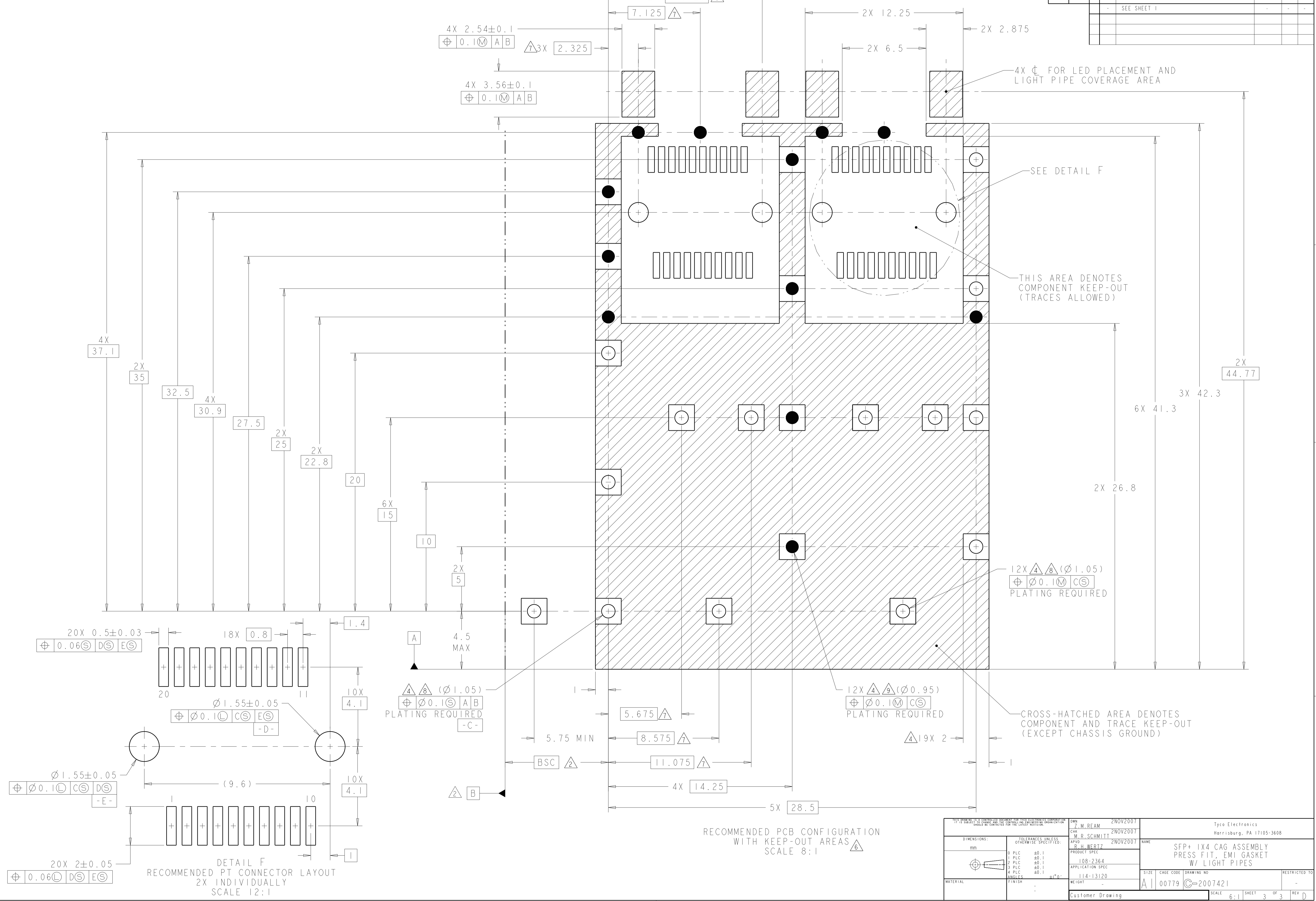


2007421-1
MOUNTED ON PCB SHOWN
THRU RECOMMENDED BEZEL
SCALE 5:1

<small>THIS DRAWING IS UNPUBLISHED. RELEASED FOR PUBLICATION BY TYCO ELECTRONICS CORPORATION. ALL RIGHTS RESERVED.</small> <small>IT IS THE BUYER'S RESPONSIBILITY TO CONTACT THE SUPPLIER FOR THE LATEST REVISIONS.</small>		DWN: Z.M. REAM 2NOV2007 CHK: M.R. SCHMITT 2NOV2007 APVD: R.H. WERTZ 2NOV2007	Tyco Electronics Harrisburg, PA 17105-3608
DIMENSIONS: mm 	TOLERANCES UNLESS OTHERWISE SPECIFIED: 0 PLC ±0.1 1 PLC ±0.1 2 PLC ±0.1 3 PLC ±0.1 4 PLC ±0.1 ANGLES ±1° FINISH	NAME: SFP+ 1X4 CAG ASSEMBLY PRESS FIT, EMI GASKET W/ LIGHT PIPES PRODUCT SPEC: 108-2364 APPLICATION SPEC: 114-13120 WEIGHT: -	SIZE: A1 CAGE CODE: 00779 DRAWING NO: 2007421 RESTRICTED TO: -
MATERIAL:		Customer Drawing	SCALE: 6:1 SHEET 2 OF 3 REV D

LOC	DIST	REV	DATE	BY	APPD
GP	00				

REVISIONS			DATE	BY	APPD
		SEE SHEET 1			



DIMENSIONS:		TOLERANCES UNLESS OTHERWISE SPECIFIED:		MATERIAL:	
mm	0 PLC	±0.1			
	1 PLC	±0.1			
	2 PLC	±0.1			
	3 PLC	±0.1			
	4 PLC	±0.1			
	ANGLES	±1°			
	FINISH				

OWN	Z. M. BEAM	2NOV2007
CHK	M. R. SCHMITT	2NOV2007
APPD	B. H. WERTZ	2NOV2007
PRODUCT SPEC	108-2364	
APPLICATION SPEC	114-13120	
WEIGHT	-	
Customer Drawing		

SIZE	CAGE CODE	DRAWING NO	RESTRICTED TO
A	00779	2007421	-

Tyco Electronics
 Harrisburg, PA 17105-3608

SFP+ 1X4 CAG ASSEMBLY
 PRESS FIT, EMI GASKET
 W/ LIGHT PIPES

SCALE 6:1 SHEET 3 OF 3 REV D

单击下面可查看定价，库存，交付和生命周期等信息

[>>TE Connectivity\(泰科\)](#)