

4

3

2

1

THIS DRAWING IS UNPUBLISHED.

RELEASED FOR PUBLICATION

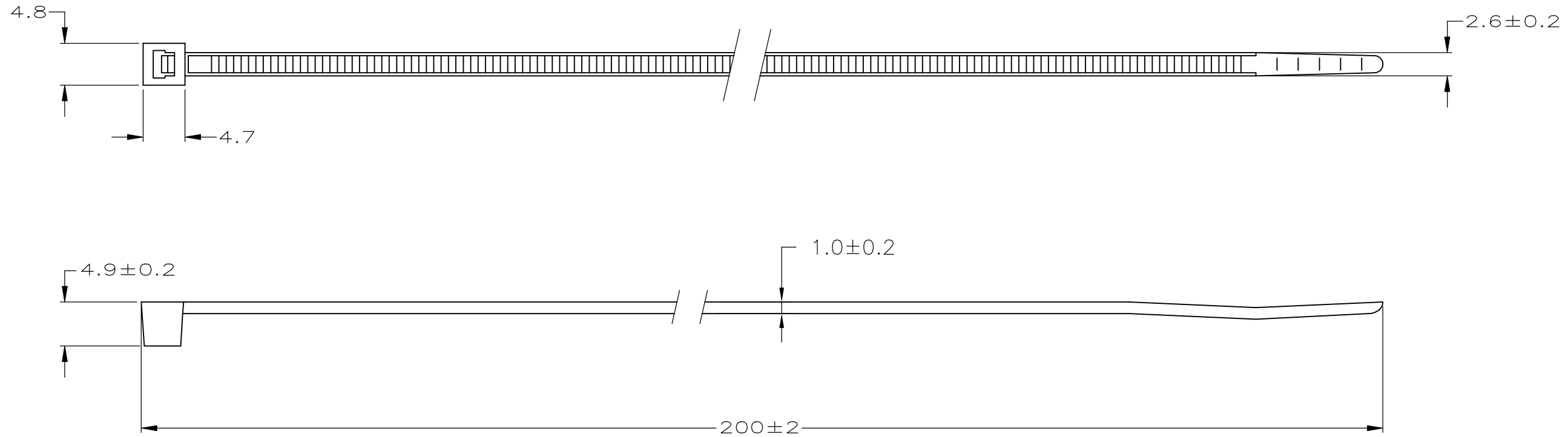
ALL RIGHTS RESERVED.

REVISIONS

P	LTR	DESCRIPTION	DATE	DWN	APVD
C1		OBSOLETE PN 2-160970-1	21MAR2018	SH	NG

NOTES:

- 1 RANGE:  $\phi 52$  MAX.
- 2 MIN. TENSILE STRENGTH 82 N.



OBSOLETE

1000	BLACK	POLYAMIDE 6.6	4-160970-2
1000	NATURAL	POLYAMIDE 6.6	4-160970-1
100	BLACK	POLYAMIDE 6.6	2-160970-2
100	NATURAL	POLYAMIDE 6.6	2-160970-1
QTY	FINISH	MATERIAL	PART NUMBER

THIS DRAWING IS A CONTROLLED DOCUMENT.		DWN J.V.D.HEIJDEN. 27-02-92	<b>STE</b> TE Connectivity	
DIMENSIONS: mm		CHK R.VOS.		
TOLERANCES UNLESS OTHERWISE SPECIFIED:		APVD L.V.SOEST.	CABLE TY.	
0 PLC ± -		PRODUCT SPEC	SIZE	
1 PLC ± 0.4		APPLICATION SPEC	CAGE CODE	DRAWING NO
2 PLC ± -		WEIGHT	A3 00779 C-160970	
3 PLC ± -		CUSTOMER DRAWING	RESTRICTED TO	REV
4 PLC ± -		SCALE	SHEET	1 of 1
ANGLES ± -		NTS	C1	
MATERIAL SEE TABLE	FINISH SEE TABLE			

单击下面可查看定价，库存，交付和生命周期等信息

[>>TE Connectivity\(泰科\)](#)